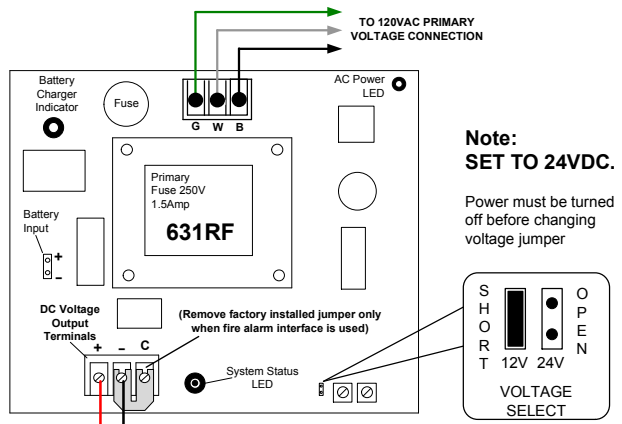
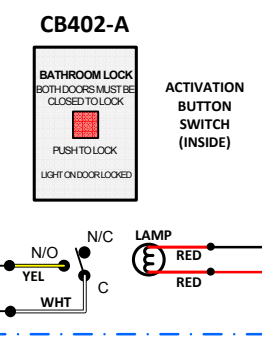
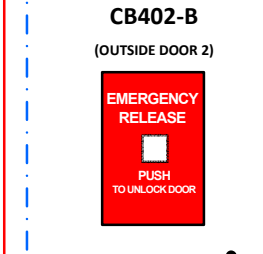
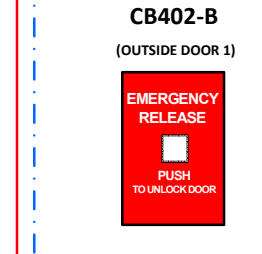
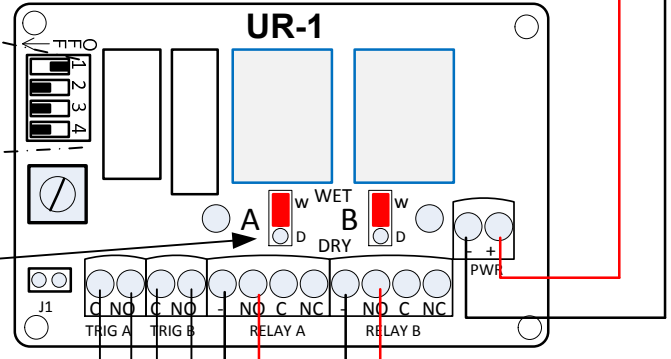


- CBP-C Series – System Components:**
- (1) 631RFXUR1 – 1A Power Supply w/ Comm. Bath Controller
 - (1) CB402-A – Activation Button
 - (2) CB402-B – Emergency Release Button
 - (2) Z7250EQ or Z7250GQ – Electrified Cylindrical Lock, Eclipse or Galaxy Lever
 - (2) PTH-4Q – 4.5"x4.5" Power Transfer Hinge



ROCKER SWITCH SETTINGS:
SWITCH #1 IS ON
ALL OTHER SWITCHES OFF

WET/DRY SELECTION JUMPERS:
Both "A" & "B" set to WET



Method of Operation:

Both doors are normally closed and unlocked.

System Activation:

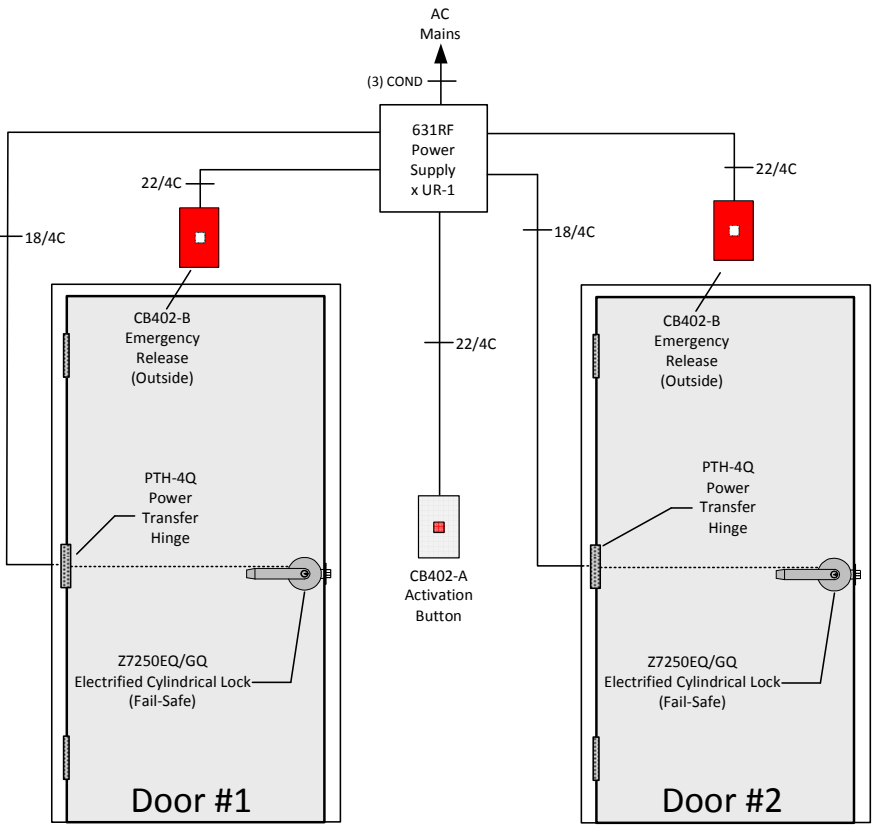
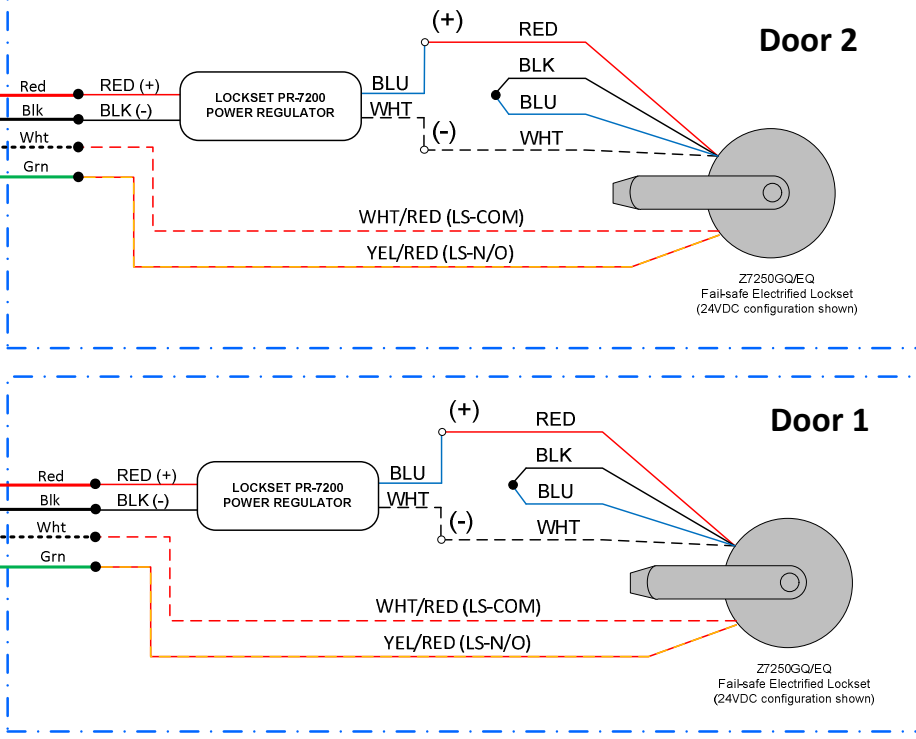
Upon entering the bathroom and closing both doors, momentarily pressing the Activation Button will lock both doors and turn ON the indicator lamps on the Activation and Emergency Release Buttons, indicating the system is active.

System Deactivation:

Operating the inside lever to retract the latch on either door will unlock both doors and turn off all indicator lamps. Using a key override from the outside to enter either door will also reset the system and unlock both doors.

Emergency Override:

Momentarily pressing either Emergency Release Button located outside each door will immediately unlock both doors and reset the system.



<p>Security Door Controls 801 Avenida Acaso Camarillo, CA 93012 f 805.494.0622 ~ f 805.494.8861 www.sdcsecurity.com</p>	<p>NOTE: ALL WIRING MUST BE REVIEWED AND APPROVED BY THE PROJECT ENGINEER ASSIGNED TO THE LOCATION FOR ITS CORRECTNESS AND SUITABILITY FOR THE APPLICATION IN THE WHICH THE EQUIPMENT IS INSTALLED AND OPERATED. ALL WIRING MUST CONFORM TO NATIONAL, STATE, AND LOCAL CODES FOR CLASS 2 FIRE PROTECTION AND CONTROL DEVICES.</p>	PROJECT NAME:	TITLE: 2-Door Communicating Bath System – Electrified Cylindrical Solution				SO NO.:	REV
		LOCATION: --	DIST.:	CONTACT: service@sdsecurity.com	DATE: 06/17	DRAWN BY:	DWG. NO.:	Page 1 of 3