



INSTALLATION INSTRUCTIONS

101-DE/101-KDE

Verbal Exit Instructions or Alarm Tone Only and Digital Countdown Display

Application:

When unauthorized egress is initiated SDC Exit Check® delays egress through the door for 15 seconds (or 30 seconds). Meanwhile, the person exiting must wait while personnel or security responds. The door unlocks after 15 seconds have elapsed permitting egress. When powered by a fire control supervised power supply, the lock will release immediately in an emergency. The integral digital keypad eliminates the need to carry and locate keys for reset and bypass functions.

Exit Check® applications include:

- Restricting the egress of wandering patients for their own safety.
- HUGS® Infant Protection System compatibility
- Restricting the egress of commercial center patrons for security application needs.
- Controlling pedestrian traffic in transportation facilities, including airport jetways and tarmacs
- Reducing Shoplifting and Employee Theft



Features:

Egress Delay

- 15 or 30 second exit delay
- 1 or 2 second nuisance delay

Built-In 3 Function keypad

- Alarm and lock reset
- 1 to 30 second bypass
- Sustained bypass
- Additional keyswitch optional

Built-In Annunciation

- Armed mode
- Nuisance mode
- Irreversible egress mode
- Release mode
- Digital countdown mode
- Field selectable voice notification or tone
- Field selectable male voice with security message or female voice with safety message

Triggering Options

- Egress alarm triggered by door movement when used with SDC 1500DE series EMLocks.
- Trigger input from external device field selectable (N/O or N/C)

Control Inputs

- 1 to 30 second request-to-exit and bypass input with anti-tailgate and jumper selectable door prop alarm.
- Reset

Monitoring Outputs

- Armed mode
- Egress initiation status
- Released status





Optional EMLock Outputs

- Door position sensor – indicates door open and door closed, commonly used to verify egress after release.
- Magnetic bond sensor – indicates locked with full holding force, low holding force, unlocked and tampering.

Choice of Mounting

- Recessed mounted (3 gang metal plaster ring included)
- Surface mounted with optional 3 gang box (DEC-J)
- Optional shroud (SHD-J) to be used with DEC-J surface box.

Display Modes

-  Door armed and locked.
-  Alarm countdown has ended, door is unlocked and alarm sounding until reset.
-  Door unlocked and alarm is shunted (REX or Bypass)
-  Door has been opened after REX, Bypass or Alarm.

Code Compliance

- IFC International fire Code
- IBC International Building Code
- NFPA 101 Life Safety Code
- NFPA 1 Uniform Fire Code
- California Building Code
- Field selectable automatic or manual power up after emergency release or power loss. Use of manual power up complies with California Building Code (OSHPD) requirements.



101-DE/101-KDE Operational Description

The door is closed and secured by latching hardware. The model 101-DE/101-KDE Exit Check controller sends power to the magnetic lock or Delayed Egress Panic Device to lock the door in the secured position. The integral digital display shows the unlock delay time.

Activation / Alarmed Release :

Activation of the Exit Check's trigger input initiates the 15 or 30 second unlock cycle . A pre-activation warning tone is sounded during the short nuisance delay period and the integral display starts counting down. To prevent false alarms, removing the trigger input activation during the nuisance delay period will silence the pre-activation warning tone, reset the countdown display and keep the door locked.

Once the nuisance delay period has been exceeded, the Exit Check continues to count down during an irreversible door release cycle. The integral digital countdown display and voice commands continue to inform the person intending to exit of the seconds remaining until unlock. An alarm output is activated to alert personnel of an unauthorized exit. After the 15 or 30 second delay cycle has expired, the Exit Check will remove power to the locking device, releasing the door and allowing free egress.

Reset / Relock:

The Exit Check can be manually reset by authorized personnel by closing the door and entering a code on the integral digital keypad, momentarily turning the optional reset key switch to the reset position or by momentarily activating a N/O switch connected to the remote reset terminals.

Request to Exit / Authorized Bypass:

A Request to Exit cycle is initiated by entering an authorized REX code on the integral digital keypad, momentarily turning the optional key switch to the bypass position or momentarily activating a N/O switch connected to the REX terminals. The power will be removed from the locking device allowing free egress. After the request to exit cycle has expired, the Exit Check will automatically reapply power to the locking device to re-secure the door.

Unlocking the door for extended periods of time (Authorized Bypass mode) is accomplished by entering an Authorized Bypass code on the integral keypad, momentarily turning the optional key switch to the Bypass position or placing a maintained closure across REX terminals. Releasing the closure across the REX terminals will restart the Request to Exit cycle. Entering the Reset code on the integral digital keypad, or momentarily turning optional key switch to the Reset position will immediately reapply power to the locking device to re-secure the door.

(NFPA-101)

The 101-DE/101KDE operation complies with the following building and fire codes: NFPA 101; NFPA 1-UFC; UBC; IBC; IFB; SBC; California Building Code. Listings: UL Listed: Special Locking Arrangements and Auxiliary Locks; California State Fire Marshal (CSFM) Listed.

Option Code	Delay Release Time	Nuisance Time	Reset after Alarm	Lock Status on Power-Up
NA	15 sec or 30 sec Selectable	1 sec or 2 sec Selectable	Manual	Locked or Unlocked Selectable
ND	15 sec Fixed	0 sec or 1 sec Selectable	Manual	Locked or Unlocked Selectable
NH	30 sec Fixed	0 sec or 1 sec Selectable	Manual	Locked or Unlocked Selectable
NC (CBC Compliant)	15 sec Fixed	0 sec or 1 sec Selectable	Manual	Unlocked Fixed

Per BOCA compliance, the Exit Check is manually reset by authorized personnel after an alarm by closing the door and actuating the integral reset key switch or by momentarily closing a contact connected to the remote reset terminals. In addition, reset will be automatically initiated once the door has been opened, then closed and remains closed for 30 consecutive seconds.

(BOCA/Chicago)

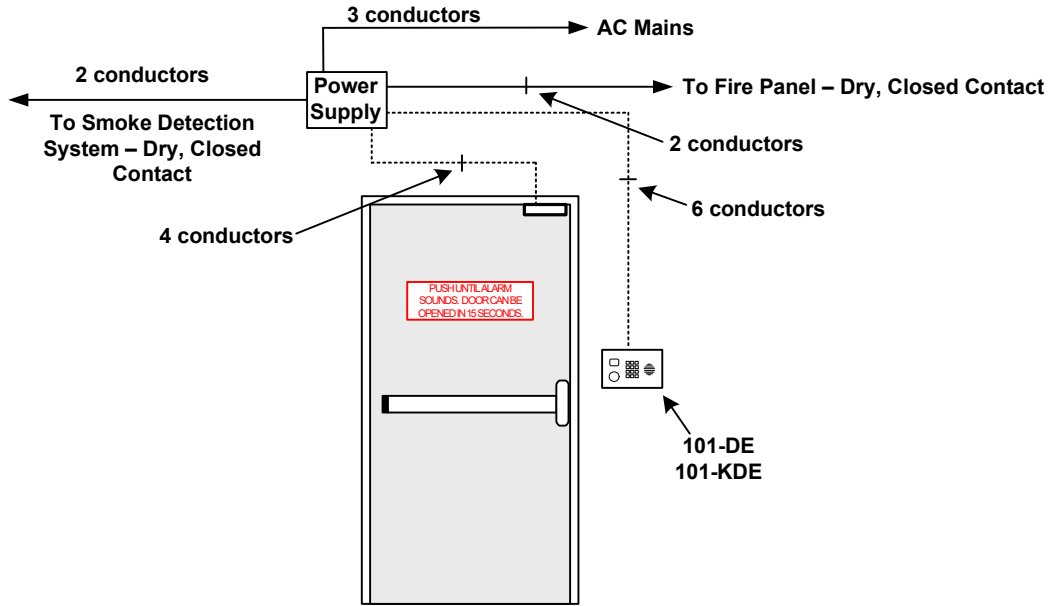
The 101-DE/101-KDE operation complies with BOCA National Building Code and the Chicago Building Code: UL Listed, Special Locking Arrangements and Auxiliary Locks.

Option Code	Delay Release Time	Nuisance Time	Reset after Alarm	Lock Status on Power-Up
BD	15 sec Fixed	0 sec or 1 sec Selectable	Auto/Manual	Locked or Unlocked Selectable
BH	30 sec Fixed	0 sec or 1 sec Selectable	Auto/MANual	Locked or Unlocked Selectable
BC	15 sec Fixed	0 sec Fixed	Auto/Manual	Locked or Unlocked Selectable



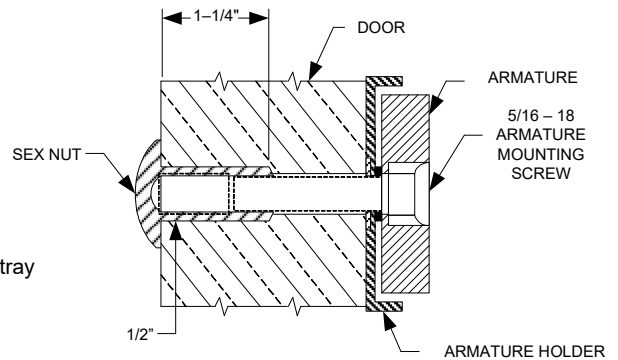
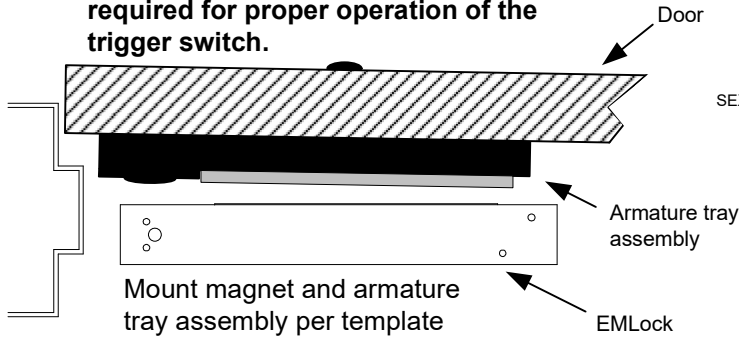
Typical System Wiring – Single Door w/ Latching Hardware

WARNING:
APPLICATION OF VOLTAGE TO THE DRY CONTACT INPUTS OF THIS UNIT
WILL CAUSE PERMANENT DAMAGE AND VOID THE WARRANTY

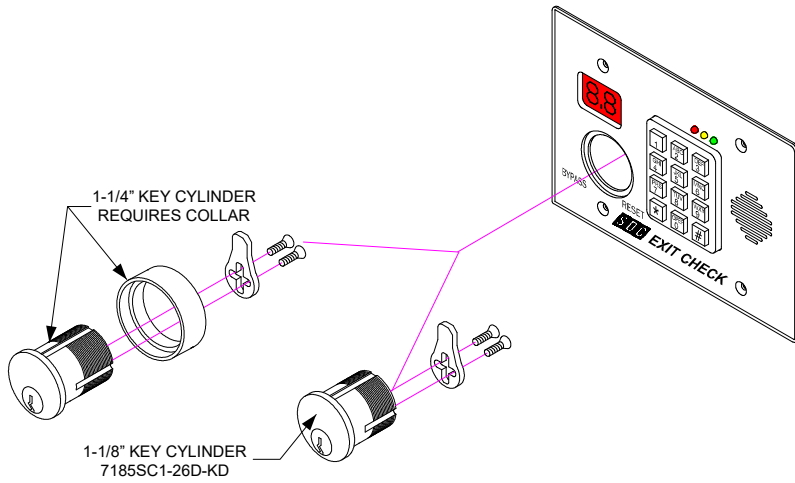


Models: 1511DE, 1571DE & 1581DE

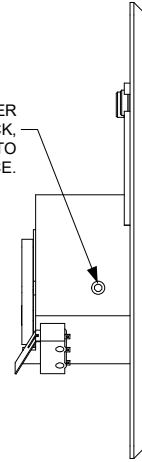
Note: Armature assembly with tray required for proper operation of the trigger switch.



KEY CYLINDER INSTALLATION (KDE Model Only)

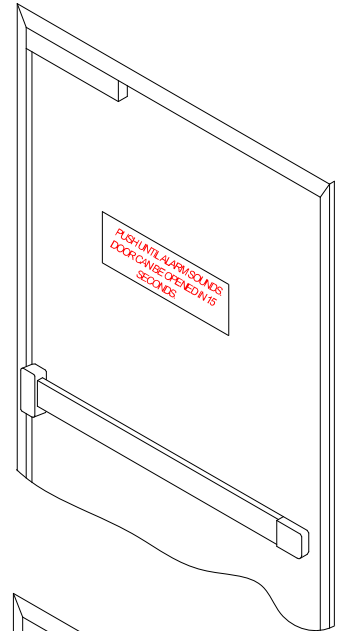
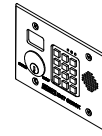
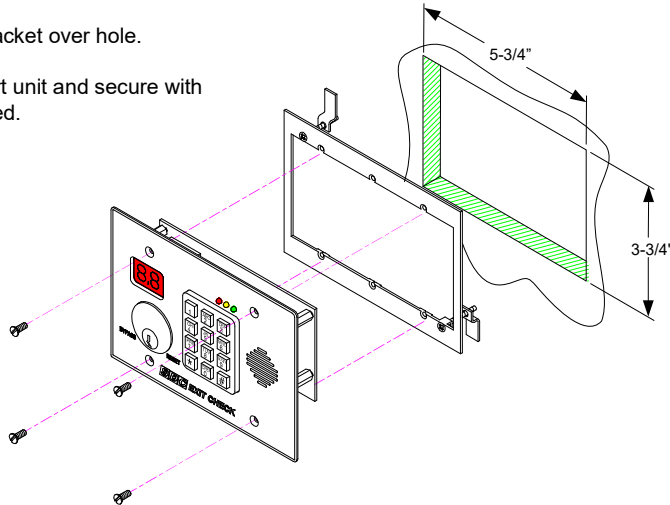


WITH KEY CYLINDER IN PROPER POSITION INSIDE SWITCH BLOCK, TIGHTEN THE SET SCREW TO LOCK CYLINDER IN PLACE.



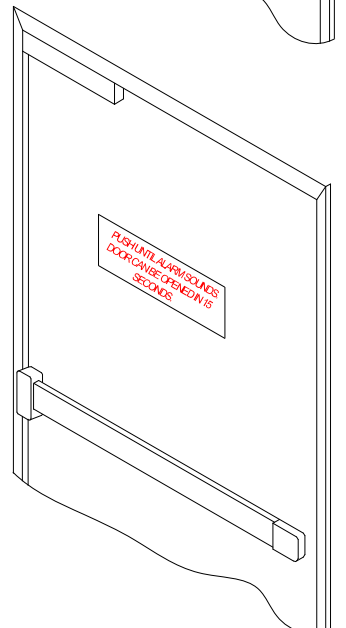
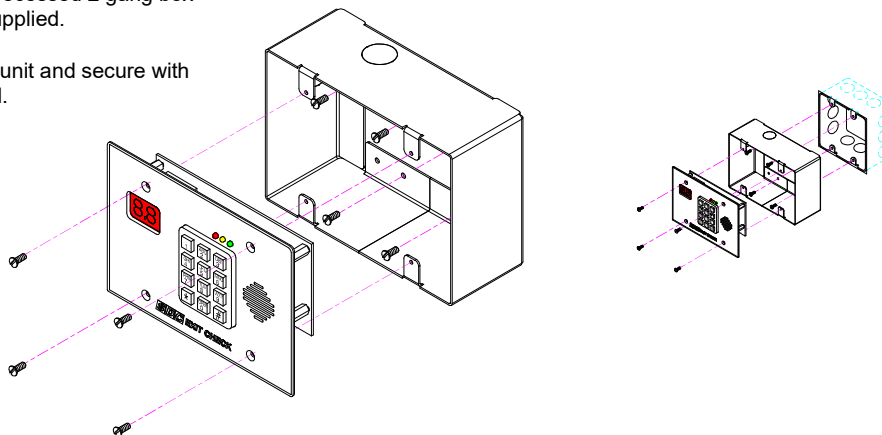
RECESSED MOUNTING DRY WALL

- 1) Cut hole in dry wall to dimensions shown.
- 2) Mount wall bracket over hole.
- 3) Carefully insert unit and secure with screws supplied.



SURFACE MOUNT 3 GANG BOX OVER EXISTING RECESSED 2 GANG BOX

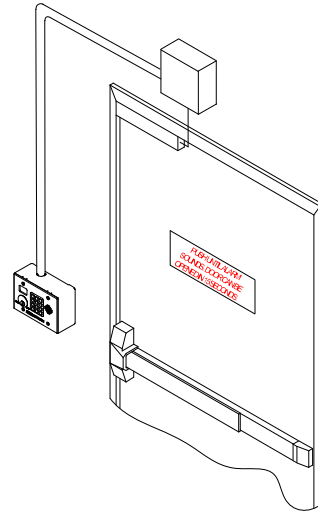
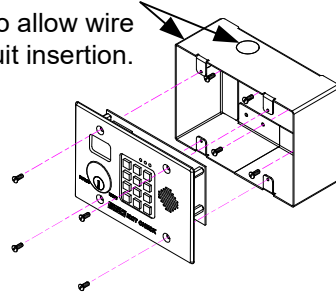
- 1) Attach optional 3 Gang Surface Mount Box to existing recessed 2 gang box using screws supplied.
- 2) Carefully insert unit and secure with screws supplied.



SURFACE MOUNT 3 GANG BOX TO WALL

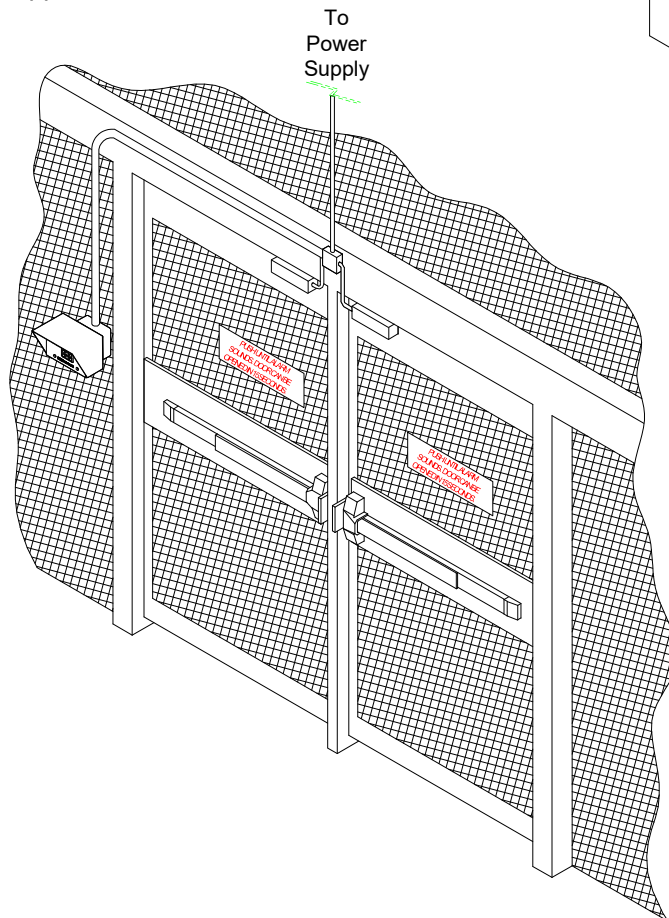
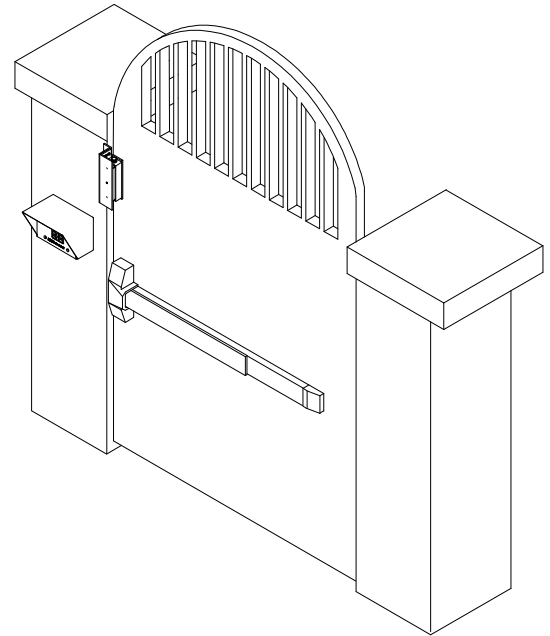
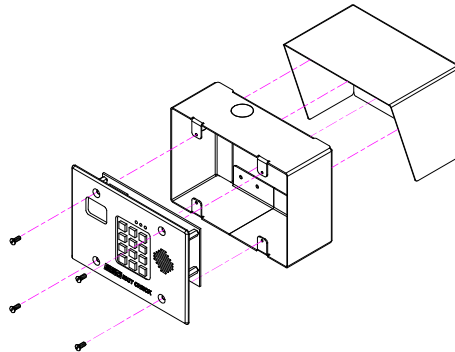
- 1) Attach optional 3 Gang Surface Mount Box to wall using screws supplied.
- 2) Carefully insert unit and secure with screws supplied.

Knockouts are located on two surfaces of the box to allow wire conduit insertion.



OUTSIDE WALL or POST MOUNTING with WEATHER SHROUD

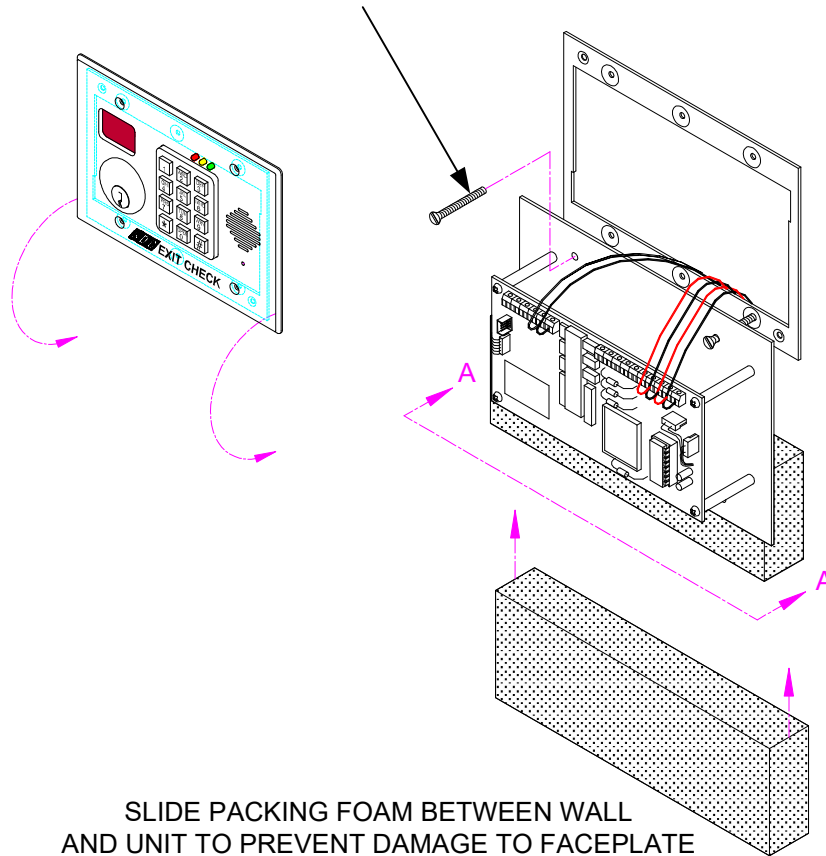
- 1) Use optional 3 Gang Box inside optional Shroud as a template to drill pilot holes through shroud and into post (or wall).
- 2) Mount 3 Gang Box and Shroud to Post with screws supplied.
- 3) Carefully insert unit and secure with screws supplied.



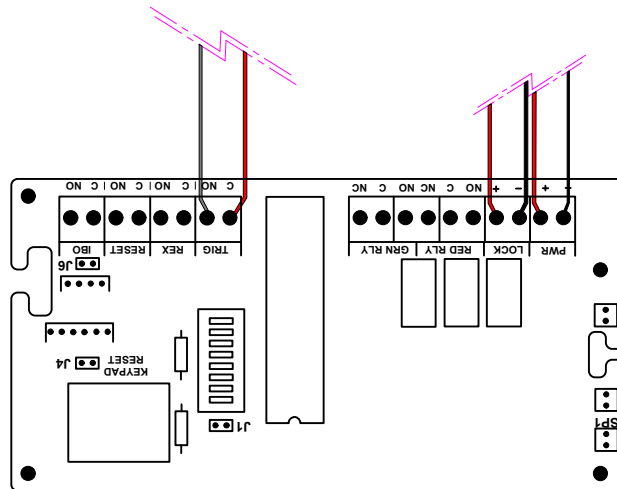
CAUTION:
101-DE CONTROLLERS ARE
DESIGNED FOR INDOOR USE.
UNIT IS NOT WATER PROOF

RECOMMENDED MOUNTING PROCEDURE

USE 1-1/4" SCREWS SUPPLIED WITH
WALL MOUNT FRAME TO HANG UNIT
TEMPORARILY FOR WIRING PURPOSES



SLIDE PACKING FOAM BETWEEN WALL
AND UNIT TO PREVENT DAMAGE TO FACEPLATE



**WIRE UNIT AS SHOWN
(SHOWN WITH NO OPTIONS).**

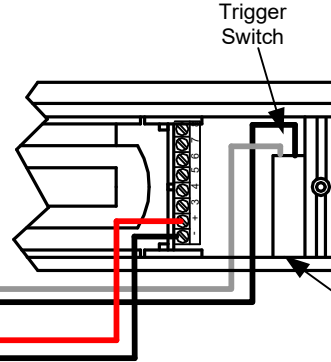
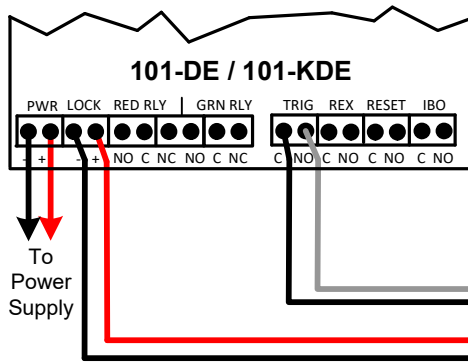
VIEW A-A



MODEL 101-DE



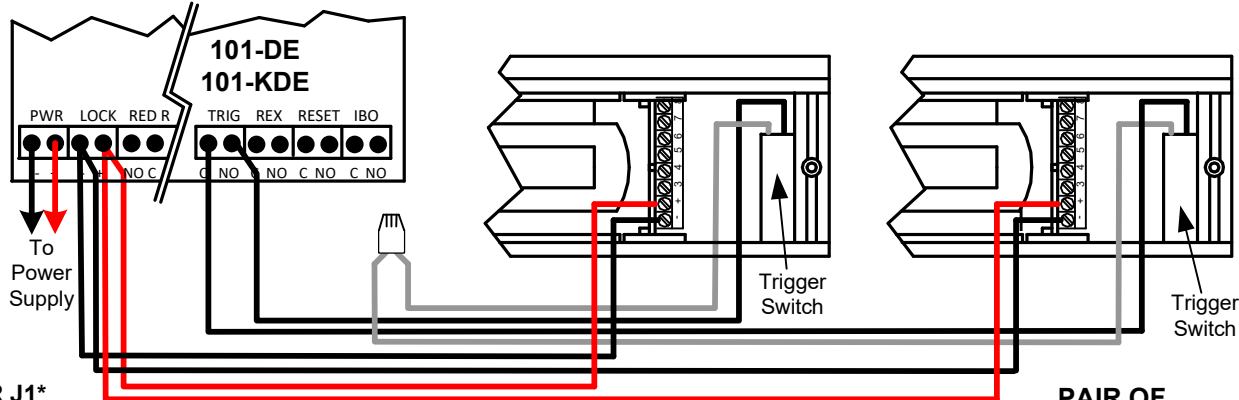
MODEL 101-KDE



SDC MODELS

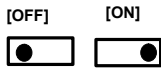
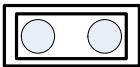
- 1511DE 1575DE
- 1571DE 1576DE
- 1581DE

Note for 1581DE only: Peel double sided tape on trigger switch clip and stick flush against end-block and sidewall as shown.

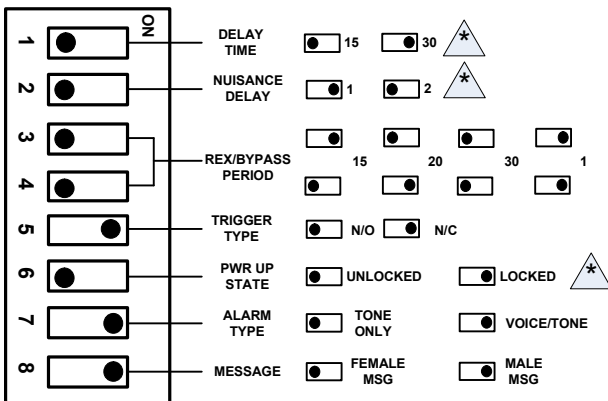


PAIR OF DOORS

JUMPER J1*



DIP SWITCH SETTINGS



***JUMPER J1 (DOOR PROP)**

INSTALLED: The 101DE/KDE will enter the alarm mode if the door is held open past the request to exit period.

REMOVED: The 101DE/KDE will remain unlocked if the door is held open past the request to exit period. No alarm will sound. The 101DE/KDE will relock and rearm upon closure of the door.

CONTROLLER SPECIFICATIONS	
INPUT VOLTAGE	12 VDC OR 24 VDC
MAX CURRENT DRAW (CONTROLLER ONLY)	180mA @ 12/24 VDC
MAX CURRENT (LOCK OUTPUT)	1 Amp @ 12/24 VDC
MONITOR RELAYS CONTACT RATING	1 Amp @ 12/24 VDC (RESISTIVE)
TEMPERATURE	0°C – 70°C

WARNING!


CONTACT THE AUTHORITY HAVING JURISDICTION FOR APPROVAL PRIOR TO SELECTING DELAY TIME OR PWR-UP SETTINGS

Functionality of the switches vary with the program option code. See Page 2 for a detailed description.



System Operation


POWER-UP UNLOCKED

 The door is unlocked. To enter the Armed Mode, turn the keyswitch to Reset or enter the Reset Code "11★" on the keypad.


POWER-UP LOCKED


 The door is locked and secure.

DELAYED EGRESS MODE

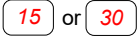
 The door is still locked and secure. The display is counting down with audible alarm/voice instructions. Once the display reaches "00", the door will unlock.

ALARMED UNLOCKED [Alternating Display]

 The door is unlocked and the alarm is sounding. To return to Armed Mode, close the door and turn the keyswitch to Reset or enter the Reset Code "11★" on the keypad.

 The door is unlocked and has been opened.


RESET [Armed] → Keypad Code 11★


 The door is locked and secure.

(Green LED solid)

AUTHORIZED EGRESS [REX] → Keypad Code 22★


(Green LED Solid)


 Door Closed The door is unlocked until the REX timer has expired or until the door has been opened and then closed.

 Door has been opened

BYPASS [Maintained Unlock] → Keypad Code 33★

(Green LED Flashing)


 Door Closed The door is unlocked indefinitely. To return to Armed Mode, enter the Reset Code "11★" on the keypad.


 Door has been opened

KDE Model Only:

KEY SWITCH BYPASS [Maintained Unlock]

(Green LED Solid)

 Door Closed The door is unlocked indefinitely. To return to Armed Mode, close the door and turn the keyswitch to RESET or enter the Reset Code "11★" on the keypad.

 Door has been opened

Keypad Programming

KEYPAD STATUS LEDS

GREEN

Steady: Power on, No errors, No outputs are active
Fast Flash: No errors, At least one output is active

RED

Steady: General error, invalid code entered

YELLOW

Flash: For ADA requirements, it will light each time a key is pressed
Slow Flash: Keypad is in Programming Mode

FACTORY PROGRAMMED CODES

User No.	Pin Code	Output Code	Function
01	1234★	NA	Master Code (default)
02	11★	2	Reset
03	22★	3	Authorized Exit (Rex)
04	33★	4	Bypass

If the factory programmed codes are acceptable for your installation, no additional programming is required.



Changing the Master Code

User 1 is always used as the Master Code and is required to access keypad programming. The Factory Default Master Code is "1234". It is strongly recommended that a new Master Code is assigned after installation. **WRITE DOWN THE NEW CODE.** If the master code is lost, you must use the keypad reset jumper on the main circuit board to enter programming mode by using the Default Master Code.

To Change the Master Code (User 1)

- 1) Enter Programming Mode: Press 99# Master Code* .
- 2) Assign new Master Code : Press 1# 01# New Pin Code# Output Relay #* .

For example: 99# 1234*1# 01# 3871# 0#* changes the Master code from 1234 to 3871.

- 3) Press ** to exit programming mode.

Entering Programming Mode

Press 99# Master Code* .

For example: 99# 1234* Enters programming mode using the Default Master Code.

Adding a User / Changing User Pin Codes (Option 1)

To add a user:

Press 1# User Number (2 digits)# New Pin Code# Output Relay #* .

For example: 1# 05# 55# 3#* adds user 5's pin code as one that will activate authorized exit.

Output Relay Codes

2= Reset

3= Authorized Exit

4= Bypass

Deleting a User (Option 2)

To delete a user:

Press 2# User Number (2 digits)#* .

For example: 2# 05#* deletes user 5.

Erase All Users (Option 8)

To **ERASE ALL USERS!!**

Press 8#* .

All users are erased and the Default Master Code is reset to 1234.

Exit Programming Mode

Press ** .

Returning the Keypad to Factory Default Settings

Short the **Keypad Reset [J4]** jumper terminal located on the main controller board.

Press 99# 1234*8#* .

Press 3#1#2#* . Sets the Output #1 (Reset) for 2 seconds.

Press 3#2#2#* . Sets the Output #2 (Auth Exit) for 2 seconds.

Press 3#3#0#* . Sets the Output #3 (Bypass) for latching.

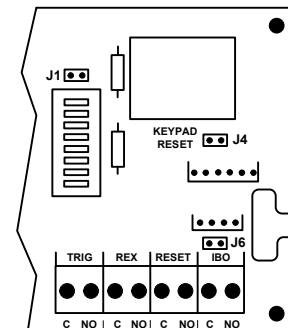
Press 1#02#11#2#* . Adds user # 2 with a code of 11. [Reset]

Press 1#03#22#3#* . Adds user # 3 with a code of 22. [Auth Exit]

Press 1#04#33#4#* . Adds user # 4 with a code of 33. [Bypass]

Press ** to exit programming mode.

Remove the shorting jumper from the **Keypad Reset** terminal.

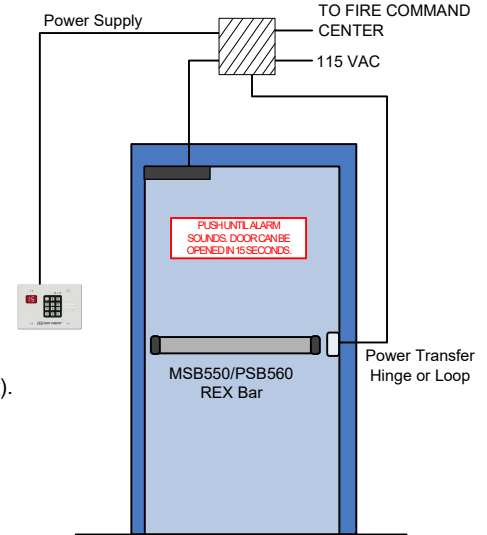




MODELS



Door Without Latch Assembly Activation By Sure Exit® Push Bar



DELAYED EGRESS CONTROLLER

- 101-DE** Wall mount controller with keypad control and reset, 180mA @ 12/24 VDC.
- 101-KDE** Wall mount controller with both keypad and key switch control and reset (less cylinder).

MAGNETIC LOCK WITH INTEGRATED ACTIVATION SENSOR

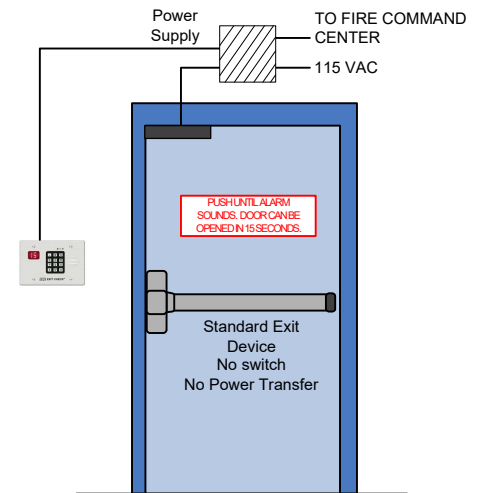
Specify 2 for pair of doors.

- 1511DEV** Single, 1650 lbs. holding force, 670/350 mA @ 12/24 VDC, 628 std
- 1571DEV** Single, 1200 lbs. holding force Energy Saver, 250/125 mA @ 12/24 VDC, 628 std
- 1581DEV** Single, 650 lbs. holding force, 440/220 mA @ 12/24 VDC, 628 std

Outdoor Locks.

- 1575DEU** Single outdoor magnetic lock with bond sensor, 630
- 1576DEU** Single face drilled outdoor magnetic lock with bond sensor, 630

Door With Latch Assembly Activation By Door Movement



Lock Finish

Not available with outdoor lock

- V** 628 Clear Anodized Aluminum (Std) **X** Dark Bronze Power Coat (313/613 equal)
- Y** Black Anodized

Optional Outputs

- B** Magnetic Bond sensor, indicates locked with full holding force, low holding force, unlocked, tampering and obstructions (1581DEV SPST only).
- D** Door position sensor, indicates door open and door closed. Commonly used to verify egress after alarm and exit delay activation. Not available with 1581DE, 1576DE or 1575DE.
- VI** Spanish, or English and Spanish, or English and French verbal announcement.
- VIC** Custom verbal announcement (minimum 10 piece purchase).

ACCESSORIES



- MSB550** Mechanical REX Exit bar for activation of locks on doors without latch assemblies.
- PSB560** Sure Exit® REX sensor bar for activation of locks on doors without latch assemblies
- 101-SP** External 15W speaker connects directly to 101-DE for enhanced decibels on site or remote voice message annunciation.
- 101-4AM** Four door station with LED's and alarm tone for remote annunciation (indoor use).
- 101-1AK** Outdoor reset/bypass key switch with LED and Audible annunciator. 2-gang outdoor box required. (Interior 101-DE and 1575DE or 1576DE outdoor magnetic lock required). (Cylinder not included).
- DEC-J** 3-gang Interior surface mount box for 101-DE 1, 2 or 3 gang box mounted.
- SHD-J** Shroud for surface mount box DEC-J outdoor use DEC-J required.



Only 101DE/KDE have been UL Listed as Special Locking Arrangements to UL standard 294 and NFPA 101.

SPECIFICATIONS

- Inputs:**
- Voltage input:** Auto sensing 12/24 VDC
- Reset input:** N/O, Dry
- Rex input:** N/O, Dry
- Trigger:** N/C or N/O, Dry
- IBO input:** N/O, Dry

Monitoring Outputs:

- Alarm Output:** 1 Amp @ 30VDC SPDT, dry
- Locked Output:** 1 Amp @ 30VDC SPDT, dry

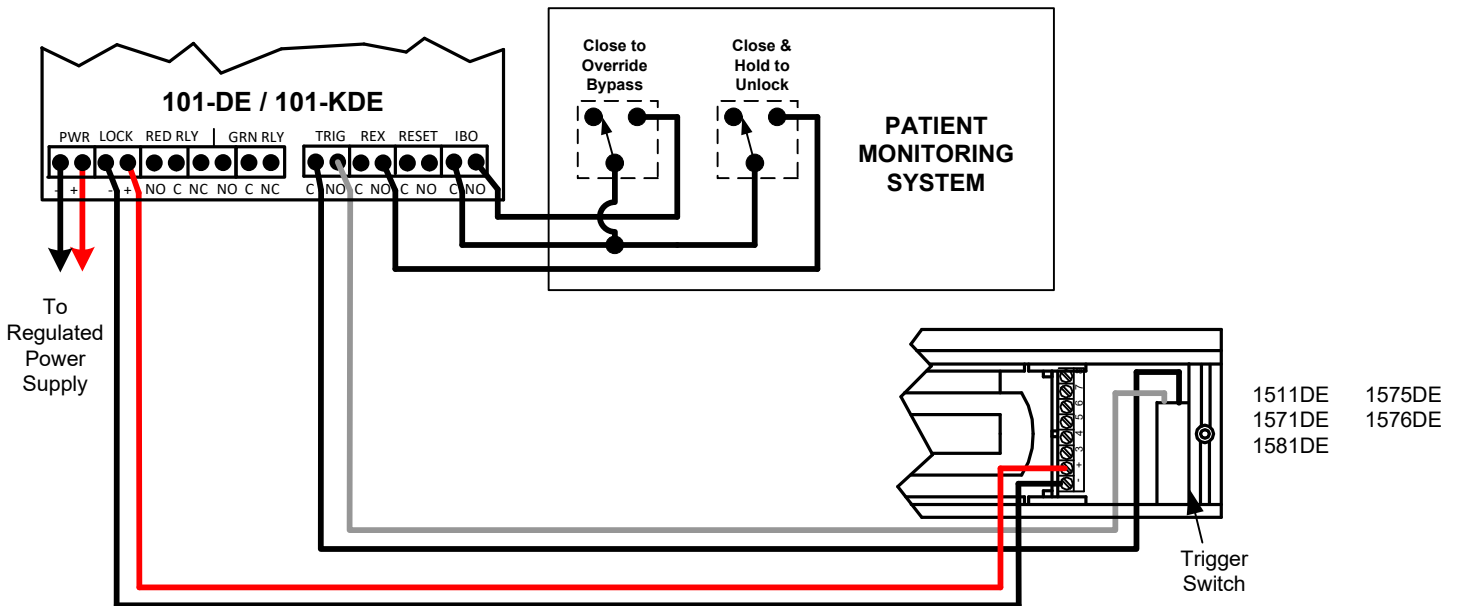
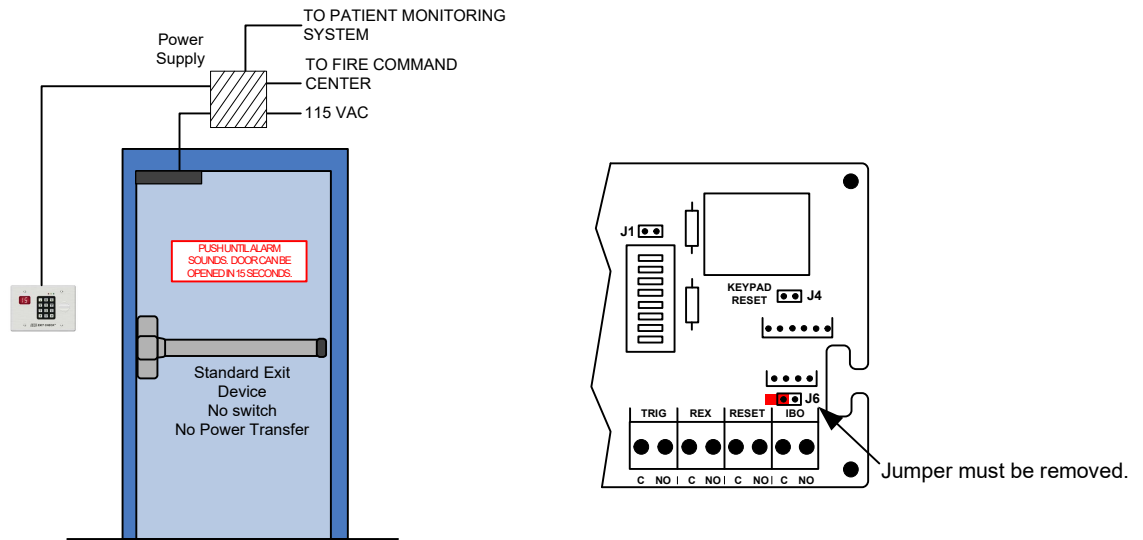
Mechanical Specifications:

- Controller:** 6.5" x 4.5" x 1.5" (165 x 114 x 38mm)
- 1581DE:** 8.75" x 2.125" x 1.25" (222 x 54 x 32mm)
- 1571DE/1511DE:** 11" x 2.75" x 1.562" (279 x 69.9 x 39.7mm)
- 1575DE/1576DE:** 8.7" x 2.5" x 1.6" (221 x 63.5 x 41mm)

Connecting to a Infant/Patient Monitoring System

1. Locate jumper [J6] (above the IBO input). Verify that it is NOT installed across both pins.
2. Close AND hold the REX input. The 101-DE will be in Bypass Mode and will be unlocked.
3. Whenever the IBO input is closed AND held, the 101-DE will immediately relock and rearm. Egress is possible by activating the Exit Check's trigger input and initiating the irreversible 15 or 30 second unlock cycle.
4. Releasing the IBO input will return the 101-DE to the Bypass Mode.
5. Releasing the REX input will rearm the system.
6. Upon power-up, you must manually reset the lock to activate the IBO input.

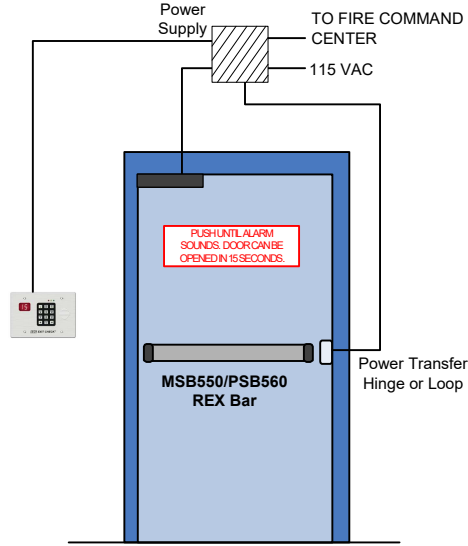
Door With Latch Assembly – Activation By Door Movement



Connection to a Infant/Patient Monitoring System has not been investigated by UL.

Connecting Optional Accessories

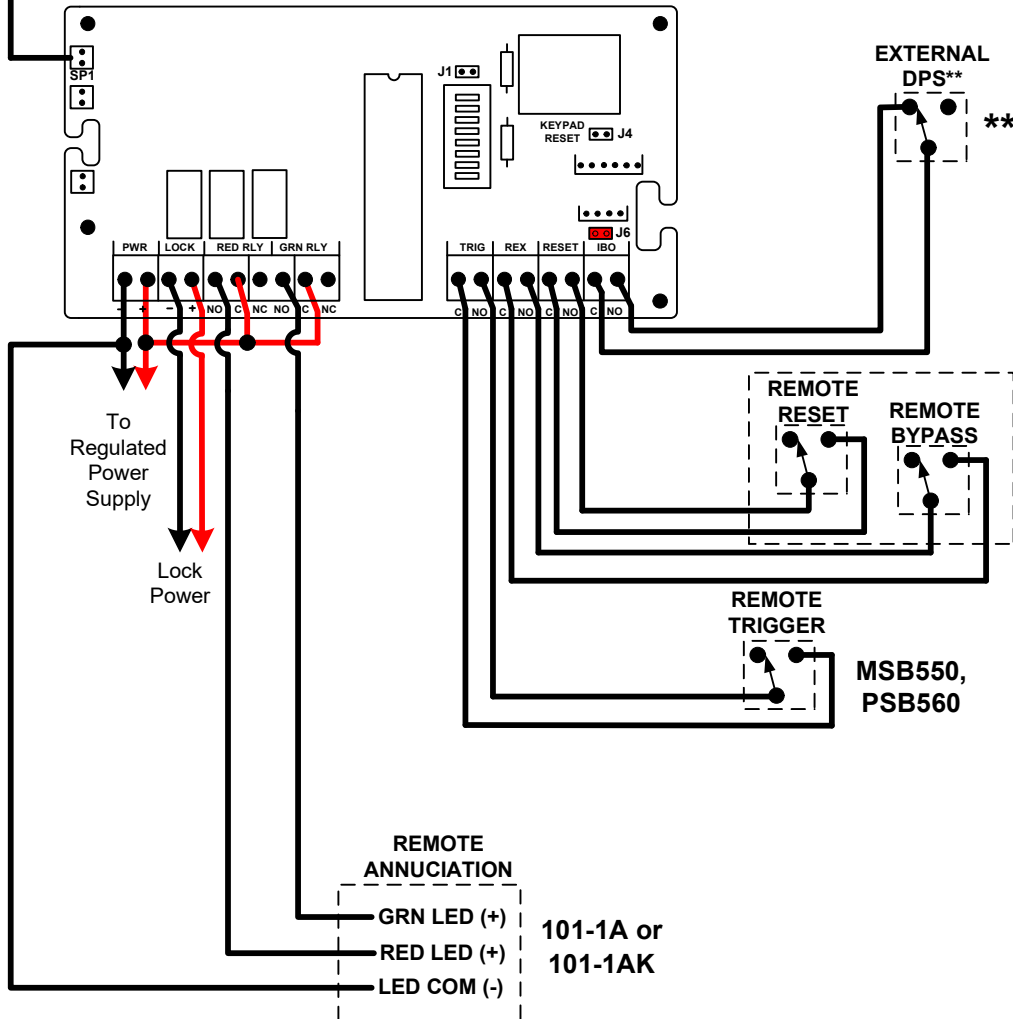
Door Without Latch Assembly Activation By Sure Exit® Push Bar



Remote Speaker
w/ plug-in
connector



101-SP



EXTERNAL
DPS**

** Door Contact required for Anti-Tailgate, BOCA and Door Prop operation, when a remote trigger device is used.

Jumper [J6] must be installed across both pins. Door Contact is shown with the door closed.

101-1AK

101-1A or
101-1AK