

INSTALLATION INSTRUCTIONS

EH SERIES ELECTROMAGNETIC DOOR HOLDER

ELECTRICAL

This product is a high quality electromagnetic holding device intended for use in fire door applications, but can be used for other magnetic applications.

PLEASE READ INSTRUCTIONS CAREFULLY!

PERFORMANCE DATA

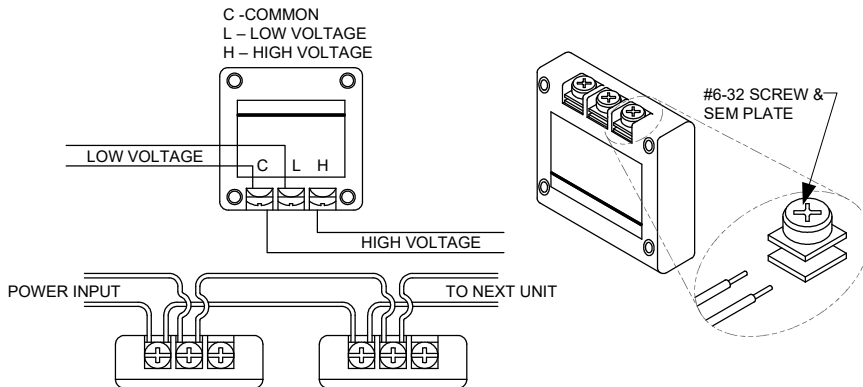
MODEL	VOLTAGE	DC / mA	AC / mA	TERMINALS	Lb.	Kg.
1224	12 V	40	38	C & L	30	13.6
	24 V	40	36	C & H	30	13.6
24120	24 V	20	19	C & L	40	18.1
	120 V	-	20	C & H	35	15.8
24220	24 V	20	19	C & L	20	9.0
	220 V	-	15	C & H	22	9.8

HIGH HOLDING FORCE / SPECIAL APPLICATIONS:

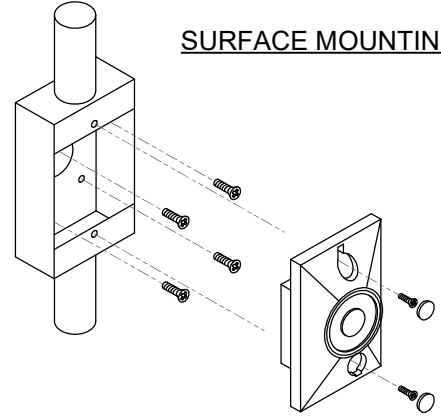
MODEL	VOLTAGE	DC / mA	AC / mA	TERMINALS	Lb.	Kg.
1224	24 V	85	81	C & L	75	34.0
24120	120 V	-	100	C & L	110	49.8

To obtain performance values in table above, apply high listed voltage to low voltage terminals (C & L).

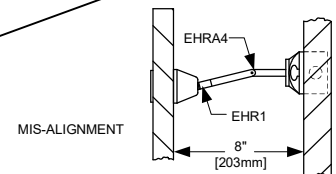
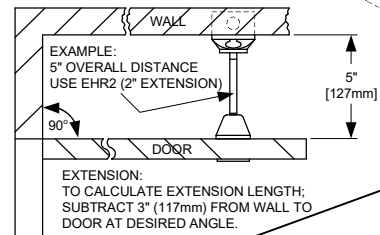
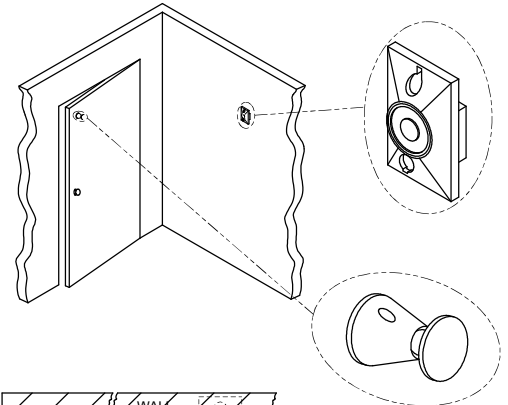
NOTE: This configuration can only be applied to Models 1224 & 24120.



SURFACE MOUNTING



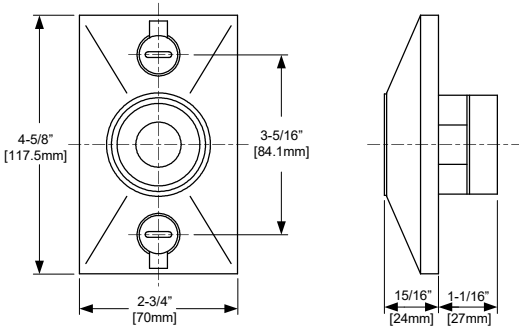
GENERAL MOUNTING



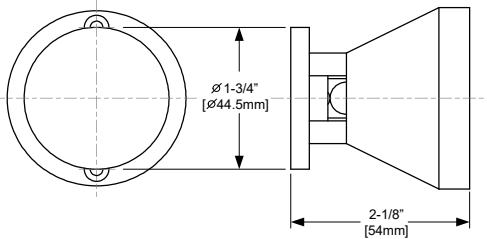


GENERAL DIMENSIONS

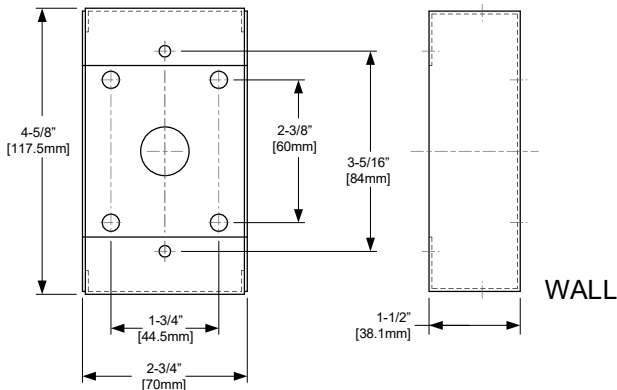
DOOR MAGNET



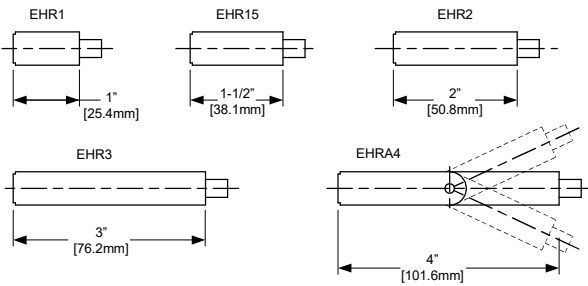
CATCH PLATE ASSEMBLY



SURFACE MOUNT BACK BOX



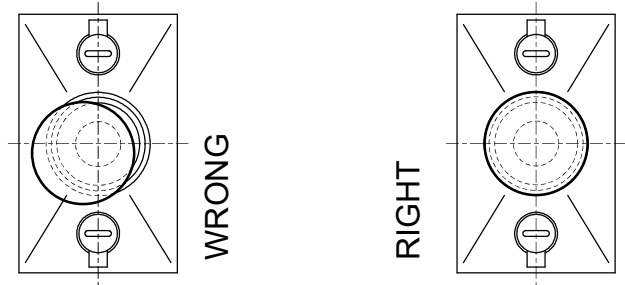
EXTENSION RODS



PART NUMBER + A = CHROME // PART NUMBER + C = BRASS

ASSEMBLY INSTRUCTIONS

CATCH PLATE MOUNTING



STEP 1:

With door magnet securely fastened, aligned and energized, proceed with swivel base assembly.

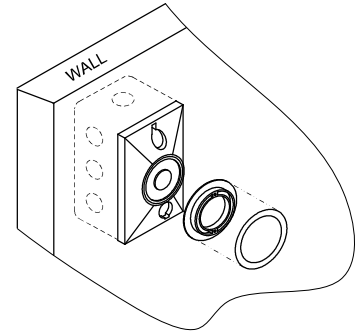
STEP 2:

Attach swivel portion to magnet, being careful to center the catch plate over the magnet.

NOTE: If door extensions are required, install before step 2.

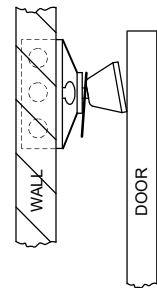
STEP 3:

With catch plate assembly attached magnetically to door magnet, peel adhesive backing off mounting template and slide over catch plate, making sure adhesive side faces door.



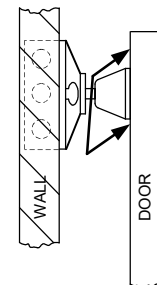
STEP 4:

Gently close door and with one hand adjust base of catch plate to lie flat against the door.



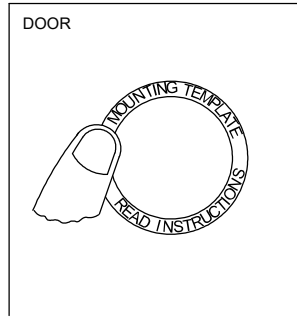
STEP 5:

While keeping slight pressure on door, slide mounting template over catch plate to door surface and apply pressure to template in a few spots.



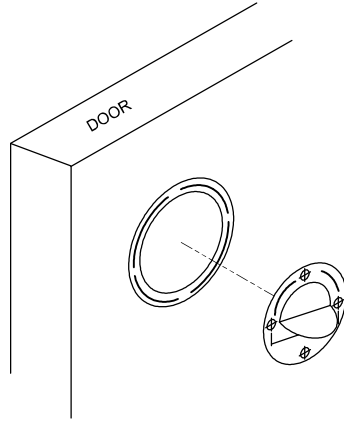
STEP 6:

Opening door will reveal mounting template. Apply final pressure to insure template does not fall off while assembly takes place.



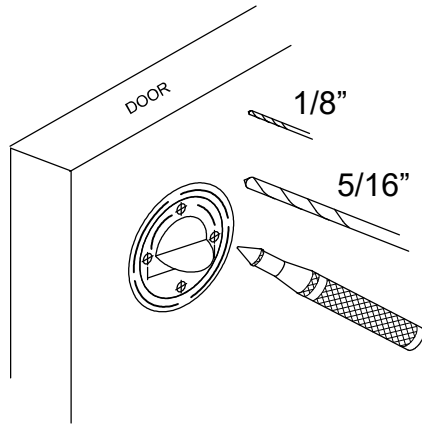
STEP 7:

Insert alignment template into center of mounting template. Use tab to rotate to fine adjustment. While holding alignment template with one hand, remove adhesive backing of tab, then push flat against door.



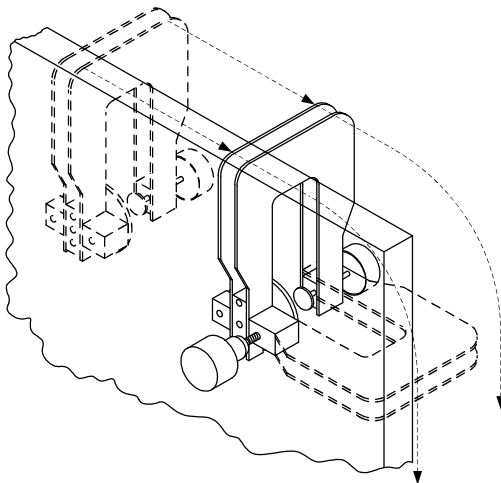
STEP 8 A:

If not using door assembly drill fixture, center punch points indicated on alignment template for either horizontal or vertical mounting. For best results, drill 1/8" pilot holes first, then follow with 5/16" dia drill.



STEP 8 B:

If using door assembly drill fixture, alignment template is not required. Locate drill bushing end into mounting template, holding firmly flat against door, then tighten slightly. Make sure fixture is flat against edge of door, tighten fully and drill through using 5/16" dia. drill.

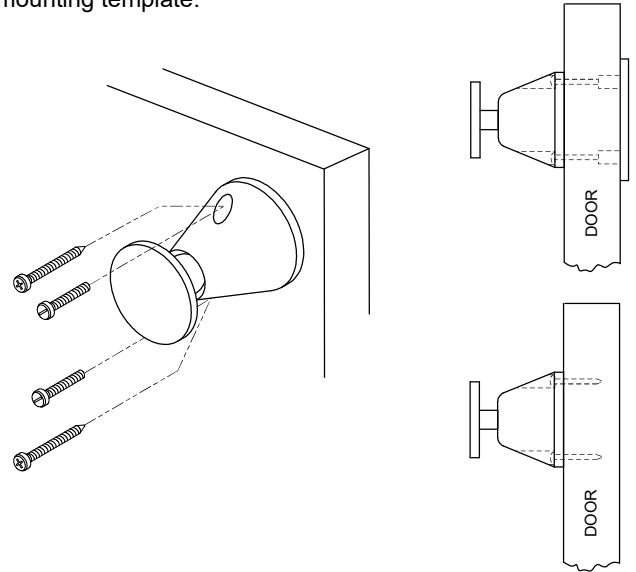


STEP 8C:

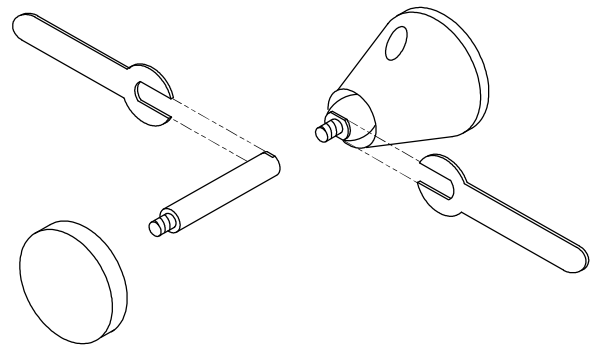
If mounting catch plate assembly directly to door, drill 1/8" dia. pilot hole approximately 1 to 1-1/2" deep, being careful not to go through door.

STEP 9:

For either style of mounting (thru door/direct) remove **ONLY** alignment template, then place swivel in center. Align holes, then insert screws and tighten assembly fully. Lastly, remove mounting template.



CATCH PLATE EXTENSION ROD ASSEMBLY:



How to determine Extension Rod & Adjustable Rod Length

Extension Rod Applications:

Refer to Fig. I for Aligned Catch Plate and Door Holder

Adjustable Rod Application:

Refer to Fig. II for Misaligned Catch Plate and Door Holder

1. Hold door open at desired position.
2. Measure distance between door and wall.
3. Subtract below dimension indicated for door holder style.

Flush Mount:

Subtract 3" from measured distance to determine minimum rod length.

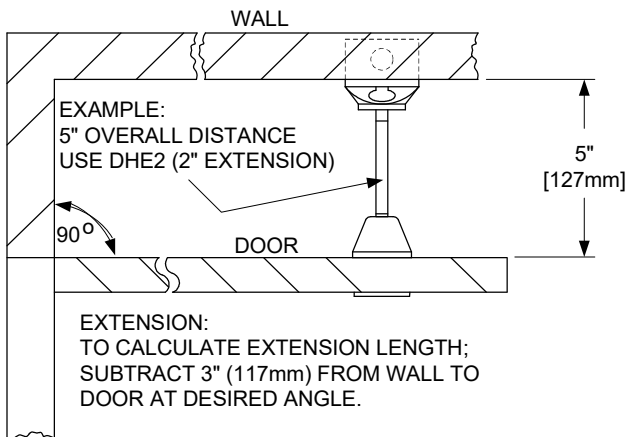
Recessed Mount:

Subtract 2-3/8" from measured distance to determine minimum rod length.

Surface Mount:

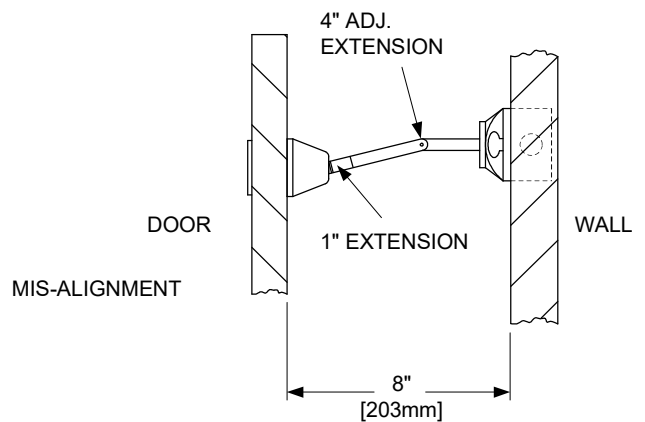
Subtract 4-5/8" from measured distance to determine minimum rod length.

Fig. I



Flush Mount Shown

Fig. II



Flush Mount Shown