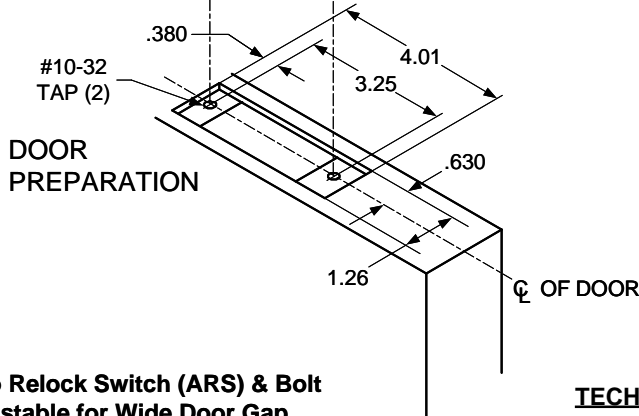
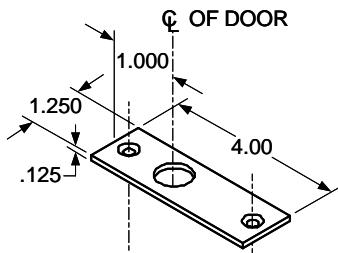
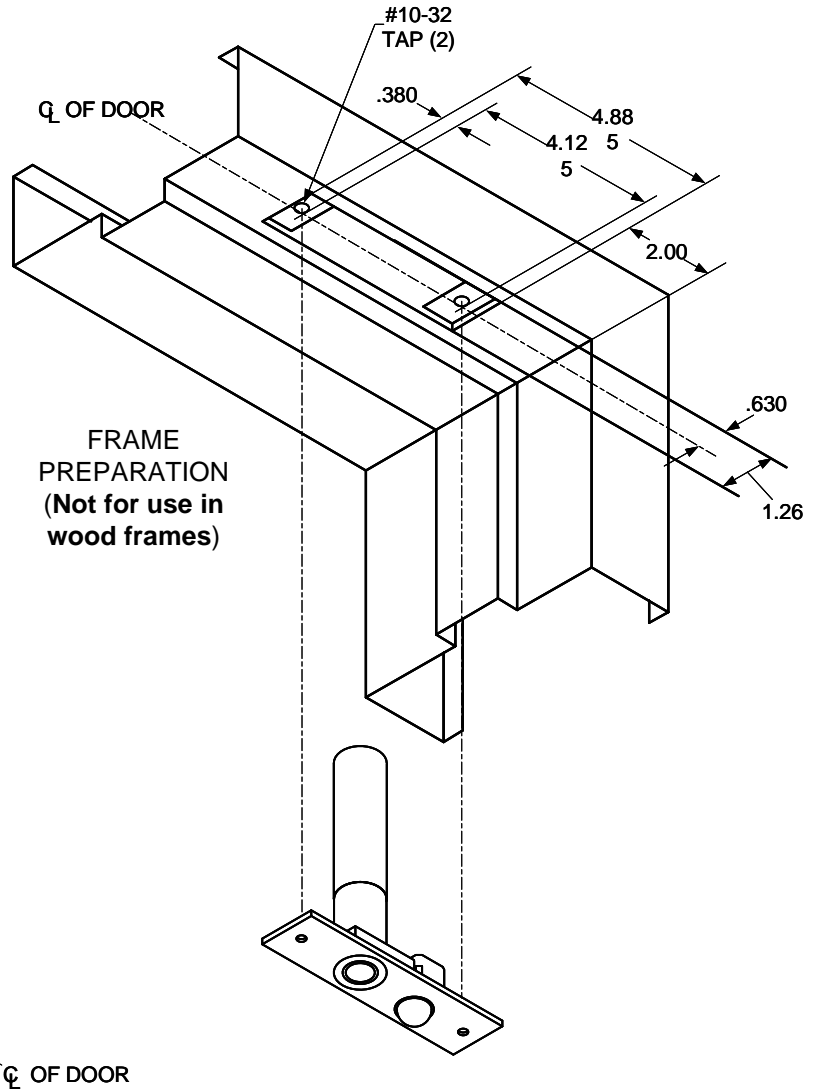
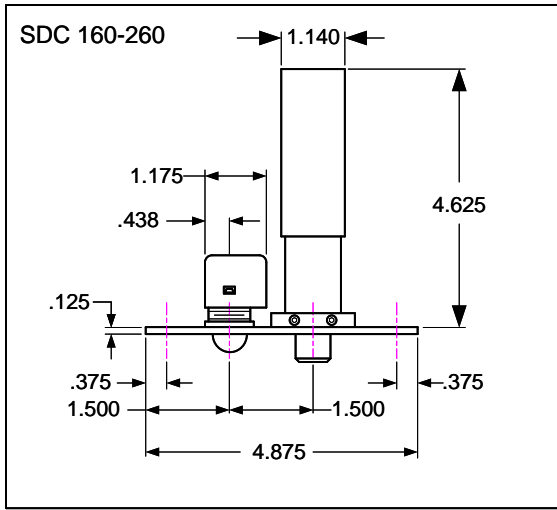




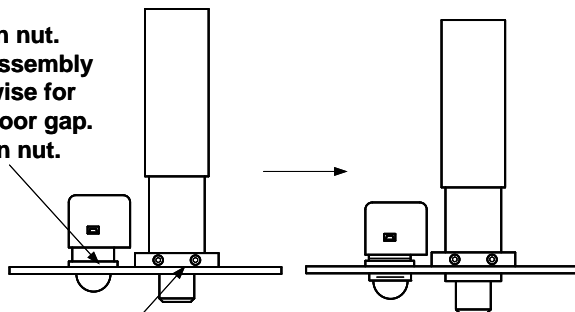
INSTALLATION INSTRUCTIONS

160/260 CONVENTIONAL MORTISE BOLT LOCKS



Auto Relock Switch (ARS) & Bolt Adjustable for Wide Door Gap

Loosen nut. Turn assembly clockwise for wide door gap. Tighten nut.



Loosen Set Screws to move Bolt Chamber.

TECHNICAL DATA (FOR STANDARD UNIT)

- FACE PLATE: 4-7/8" x 1-1/4" x 1/8"
- STRIKE: 4" x 1-1/4" x 1/8"
- ID REQUIREMENTS: 4-7/8" x 1-1/4" x 4-5/8"
- BOLT: 1/2" DIA. STAINLESS STEEL
- BOLT THROW: 1/2" ROTATING, ADJUSTABLE FOR WIDE GAP
- 160 FAIL-SAFE: LOCKED WHEN ENERGIZED
- 260 FAIL-SECURE: UNLOCKED WHEN ENERGIZED
- SOLENOID: 12/24 CONTINUOUS DUTY
- AUTO RELOCK SWITCH: ADJUSTABLE BALL PLUNGER TYPE

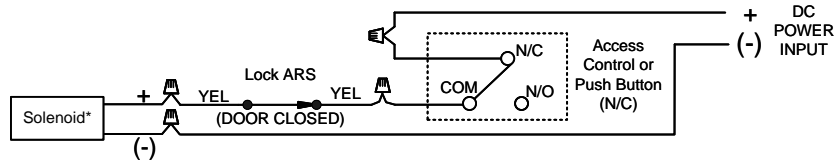
NOTE: TEMPLATE DIMENSIONS ARE SUBJECT TO CHANGE WITHOUT NOTICE.

Any suggestions or comments to this instruction or product are welcome. Please contact us through our website or email engineer@sdsecurity.com

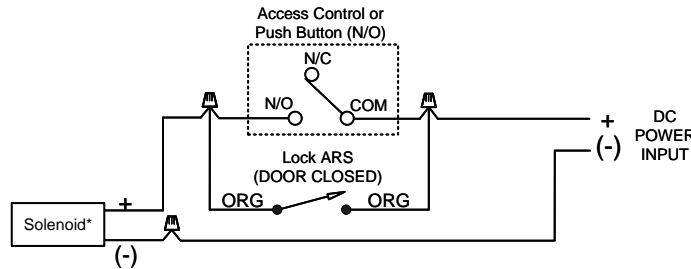


LOCK WIRING

160 (Standard wiring):

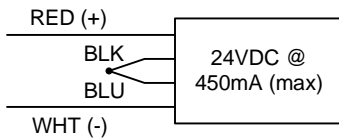


260 (Standard wiring):

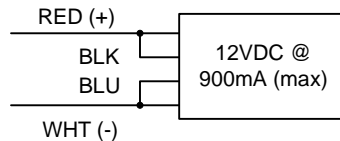


Solenoid Voltage Configuration:

24VDC SOLENOID CONFIGURATION



12VDC SOLENOID CONFIGURATION



ELECTRICAL DATA:
Dual Voltage (110/210)
 12VDC @ .9 Amp (max.)
 24VDC @ .45 Amp (max.)
Continuous Duty