



Security Door Controls

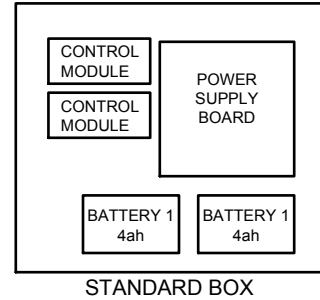
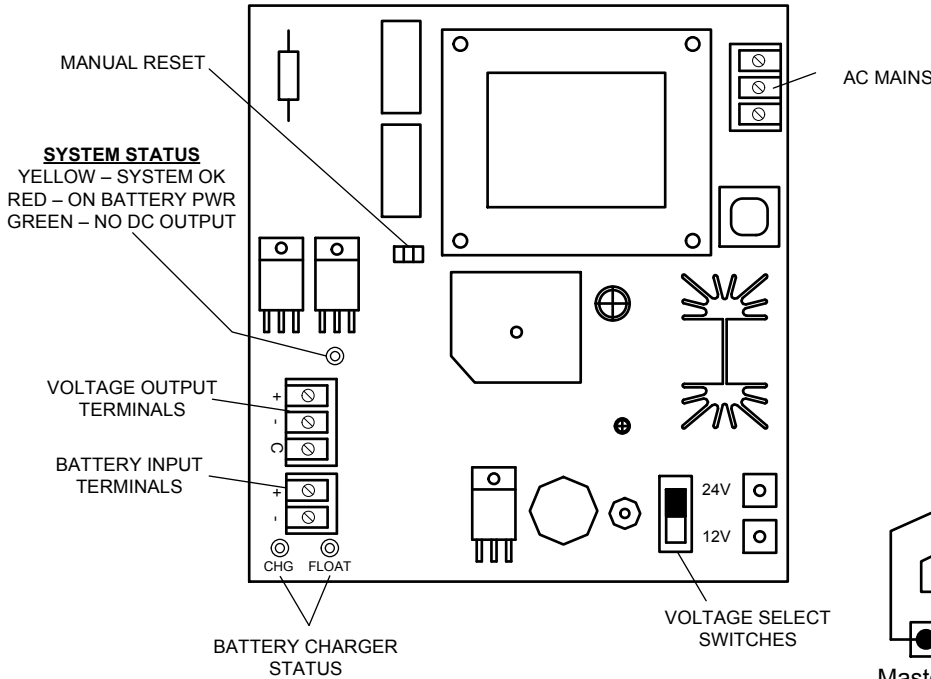
801 Avenida Acaso, Camarillo, Ca. 93012
 (805) 494-0622 • Fax: (805) 494-8861
 www.sdcsecurity.com • E-mail: service@sdsecurity.com

POWER SUPPLY INSTALLATION INSTRUCTIONS

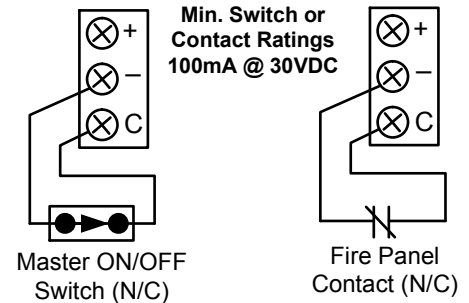
MODEL 632RF

MODEL 632RF

COMPONENT LOCATIONS



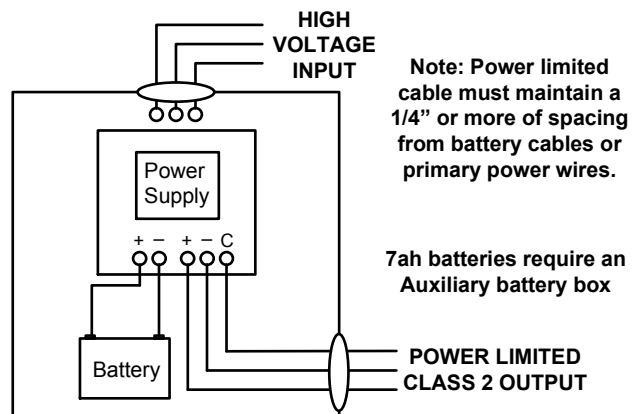
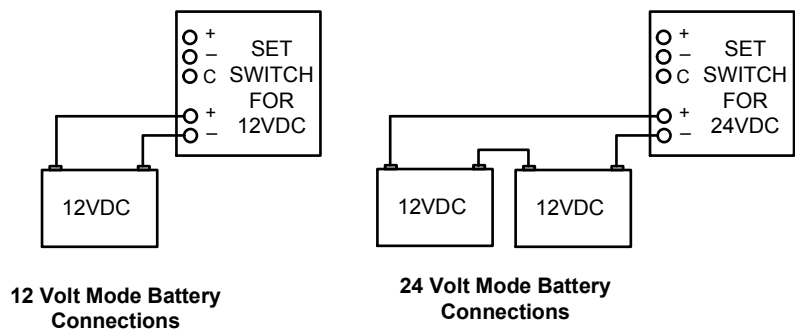
MAIN SYSTEM ON-OFF OR FIRE PANEL CONNECTION



POWER SUPPLY SPECIFICATIONS

Input Voltage: 115/230 VAC @ 60hz
 Input Current: 0.8 amps Max.
 Output Voltage: 12/24VDC
 Output Voltage Ranges:
 12 V Operation: 9.2 – 12.0 VDC
 24 V Operation: 21.2 – 24.0 VDC
 Output Current: 2.0 amps
 Ripple Voltage: 0.05 Volts Max.
 Battery Charger Max. Current: 0.25 amps
 Maximum recommended battery size: 4ah
 (Replace batteries every 3 years)

Suitable Uses:
 Electric Lock Power Supply
 Access Control Power Supply



TEST UNIT ANNUALLY



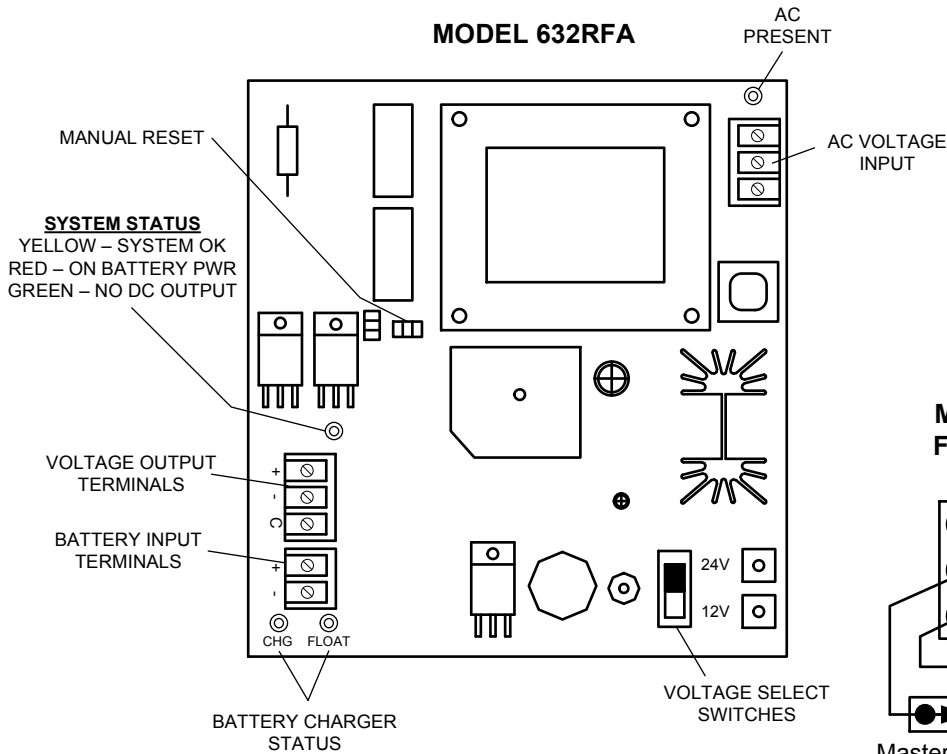
Security Door Controls

801 Avenida Acaso, Camarillo, Ca. 93012
 (805) 494-0622 • Fax: (805) 494-8861
 www.sdcsecurity.com • E-mail: service@sdsecurity.com

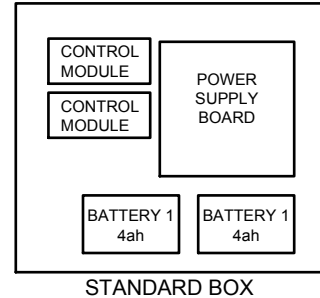
POWER SUPPLY INSTALLATION INSTRUCTIONS

MODEL 632RFA

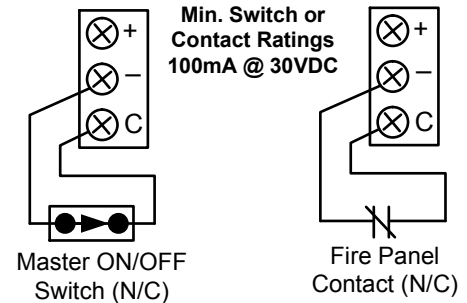
MODEL 632RFA



COMPONENT LOCATIONS

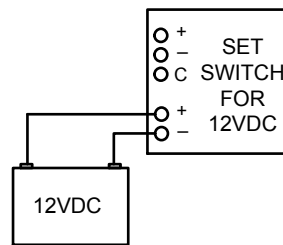


MAIN SYSTEM ON-OFF OR FIRE PANEL CONNECTION

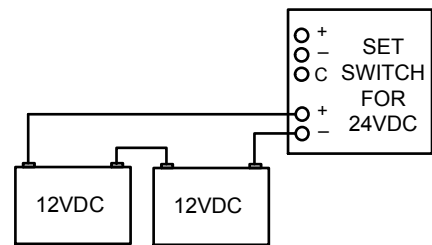


POWER SUPPLY SPECIFICATIONS

Input Voltage: 115 VAC @ 60hz
 Input Current: 1.0 amps Max.
 Output Voltage: 12/24VDC
 Output Voltage Ranges:
 12 V Operation: 9.2 – 12.0 VDC
 24 v Operation: 21.2 – 24.0 VDC
 Output Current: 2.0 amps
 Ripple Voltage: 0.05 Volts Max.
 Battery Charger Max. Current: 0.25 amps
 Maximum recommended battery size: 4ah
 (Replace batteries every 3 years)

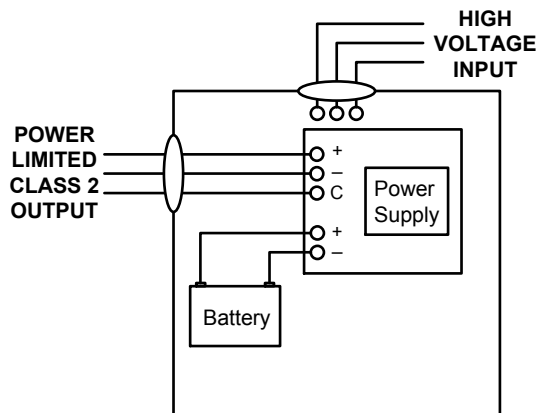


12 Volt Mode Battery Connections



24 Volt Mode Battery Connections

Suitable Uses:
 Electric Lock Power Supply
 Access Control Power Supply



Note: Power limited cable must maintain a 1/4" or more of spacing from battery cables or primary power wires.

7ah batteries require an Auxiliary battery box

TEST UNIT ANNUALLY