

SDC UniFLEX™

45 Series

5/8" Latchbolt Electric Strikes



SDC's 45 series 5/8" latchbolt electric strikes are centerline latch entry strikes designed for use with cylindrical locksets and mortise locksets without deadbolt for both metal and wood frames. 45 series strikes accept 5/8" throw latchbolts or up to 3/4" throw latchbolts with 1/8" door gap.

45F models are fire-rated and accept 5/16" throw latchbolts or up to 5/8" throw latchbolts with 1/8" door gap.

Built with all stainless steel parts, a durable die cast body and fewer moving parts for maximum lifespan and corrosion resistance, the quality construction makes 45 series strikes ideal for high traffic applications. The compact low profile design enables quick and easy installation where jamb space is limited.

Centerline latch entry strikes require the latch to enter at the strike "centerline" located exactly between the top and bottom of the strike faceplate.*

* Refer to installation instructions and template to determine strike location prior to frame preparation for new and retrofit installations.



45-4SU

45F-4SU

45-4RV

45-6RV

45-7RV

MODELS

45 5/8" Latchbolt Strike

45F 5/8" Latchbolt Strike, Fire-Rated

STANDARD FEATURES

- Low profile
- Fewer moving parts
- Stainless steel components
- Durable die cast housing body
- Corrosion resistant
- Horizontal alignment adjustment
- Mounting tabs included
- Non-handed
- Interchangeable faceplate design
- Internally mounted solenoid
- Field selectable operation
- Field selectable dual voltage
- Voltage and current spike protection
- Pigtail connectors
- Latch status (LS)
- Keeper deadlocked status

OPTIONAL FEATURES

- Keeper open status
- Buzzer



APPLICATIONS

FAILSECURE OPERATION

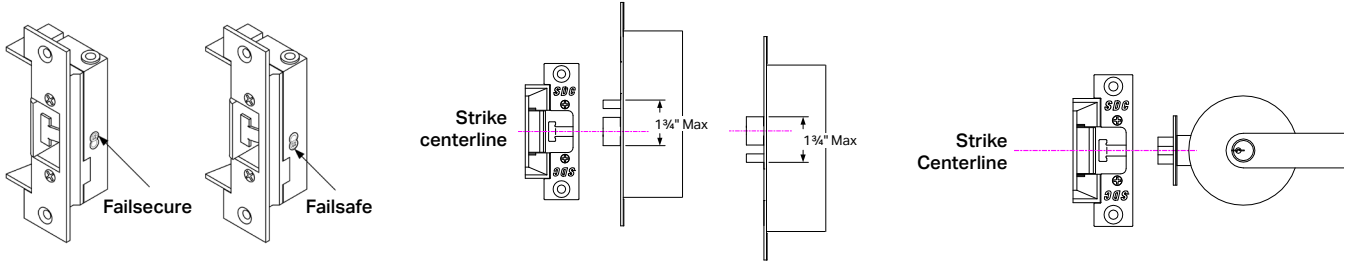
Keeper unlocks when energized. Keeper locked when de-energized or during a power failure.

FAILSAFE OPERATION

Keeper locks when energized. Keeper unlocks when de-energized or during a power failure. Failsafe operation is not permitted with UL fire door accessory label.

FIRE-RATED OPENINGS

45F-4S are permitted for use on non fire-rated and fire-rated doors. However, 45F-4S strikes may not be used on stairwell doors and may not be maintained in failsafe operation when used with fire-rated doors.

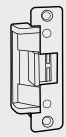
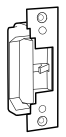
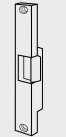
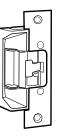
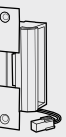


FIELD SELECTABLE OPERATION

MORTISE APPLICATIONS

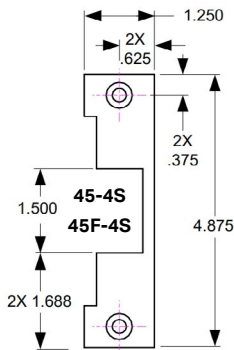
CYLINDRICAL APPLICATIONS

CROSS REFERENCE

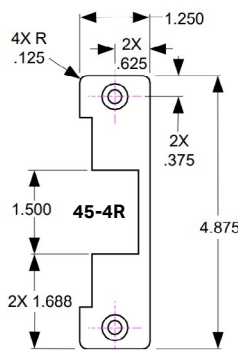
| Series | 15 | 25 | 30 | 45 | 55 |
|-----------------------------------|---|---|---|---|---|
| |  |  |  |  |  |
| Strike Type | Value Cylindrical, 5/8" Latchbolt | Value Cylindrical, 1/2" Latchbolt | Rim, 3/4" Latchbolt | Cylindrical, 5/8" Latchbolt | Mortise, 3/4" Latchbolt |
| Adjustable Alignment | ----- | ----- | Yes | Yes | Yes |
| Interchangeable Faceplates | ----- | ----- | ----- | Yes | Yes |
| Multi-Application Kits | ----- | ----- | ----- | Yes | Yes |
| Latch Status (LS) | ----- | Standard | Optional | Standard | Optional |
| Keeper Deadlocked Status | ----- | ----- | Optional | Standard | Optional |
| Keeper Open Status | ----- | ----- | ----- | Optional | ----- |
| Deadbolt Status | ----- | ----- | ----- | ----- | Optional |
| | CLICK TO VIEW | CLICK TO VIEW | CLICK TO VIEW | CLICK TO VIEW | CLICK TO VIEW |

SPECIFICATIONS

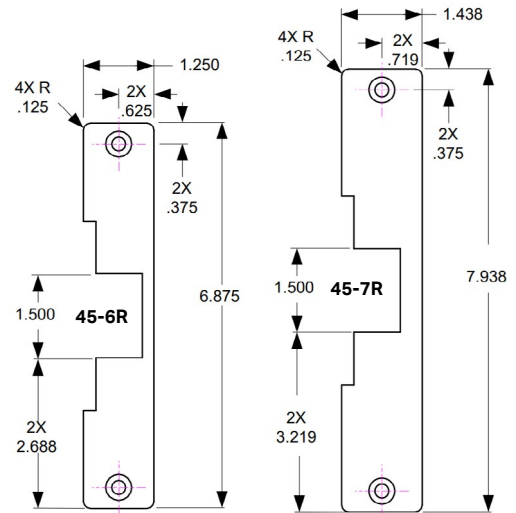
| | 45 | 45F |
|----------------------------|---|---|
| Latchbolt | 5/8" Throw, Up to 3/4" Throw with 1/8" Door Gap | 9/16" Throw, Up to 5/8" Throw with 1/8" Door Gap |
| Static Strength | 1,000 lbs | 1,500 lbs |
| Dynamic Strength | 70 lbs | 70 lbs |
| Endurance Cycles | 250,000 | 250,000 |
| Keeper Depth | 1 3/16" | 1 3/16" |
| Weight | 2 lbs | 2 lbs |
| Faceplates | (4S) Square Corner Stainless Steel, 4 7/8" x 1 1/4" (4R) Radius Corner Aluminum, 4 7/8" x 1 1/4" (6R) Radius Corner Aluminum, 6 7/8" x 1 1/4" (7R) Radius Corner Aluminum, 7 15/16" x 1 1/4" | (4S) Square Corner Stainless Steel, 4 7/8" x 1 1/4" |
| Frame Application | (45-4S) Hollow Metal (45-4R) Aluminum (45-6R) Aluminum / Wood (45-7R) Aluminum / Wood | (45F-4S) Hollow Metal |
| Input | 12/24 VDC ± 10% | 12/24 VDC ± 10% |
| Current Draw | 200 mA @ 12 VDC 100 mA @ 24 VDC | 200 mA @ 12 VDC 100 mA @ 24 VDC |
| Monitoring Contacts | SPDT 3 Amp @ 30 VDC Resistive | SPDT 3 Amp @ 30 VDC Resistive |



**HOLLOW METAL FRAME
SQUARE CORNER FACEPLATE**



**ALUMINUM FRAME
RADIUS CORNER FACEPLATE**



**ALUMINUM / WOOD FRAME
RADIUS CORNER FACEPLATE**

CERTIFICATIONS

UL 1034 Burglary-Resistant Electric Locking Mechanisms
 UL 10C Positive Pressure Fire Tests of Door Assemblies*
 ANSI/BHMA A156.31
 ANSI/BHMA A156.31 Grade 1*

* Applies to 45F models only.

HOW TO ORDER

FOLLOW STEPS FOR ORDERING

 Designates optional step

HOLLOW METAL APPLICATIONS


1| SPECIFY MODEL

- 45** 5/8" Latchbolt Strike
- 45F** 5/8" Latchbolt Strike, Fire-Rated

2| SPECIFY FACEPLATE

- 4S** 4 7/8" Square Corner Stainless Steel

3| SPECIFY FINISH

- U** 630 Dull Stainless  Standard
- D** 606 Dull Brass
- H** 613 Dark Oil Rubbed Bronze

4| SPECIFY OPTIONS

- K** Keeper Open Status
- RMB** Buzzer

ALUMINUM / WOOD APPLICATIONS


1| SPECIFY MODEL

- 45** 5/8" Latchbolt Strike

2| SPECIFY FACEPLATE

- 4R** 4 7/8" Radius Corner Aluminum
- 6R** 6 7/8" Radius Corner Aluminum
- 7R** 7 1/16" Radius Corner Aluminum

3| SPECIFY FINISH

- V** 628 Dull Aluminum  Standard
- Y** 335 Dull Black

4| SPECIFY OPTIONS

- K** Keeper Open Status
- RMB** Buzzer

| STEP NUMBER: | 1 | 2 | 3 | 4 |
|-------------------|-----------|------------|----------|----------|
| ORDERING EXAMPLE: | 45 | -4S | U | K |

| STEP NUMBER: | 1 | 2 | 3 | 4 |
|-------------------|-----------|------------|----------|------------|
| ORDERING EXAMPLE: | 45 | -6R | V | RMB |



RELATED PRODUCTS

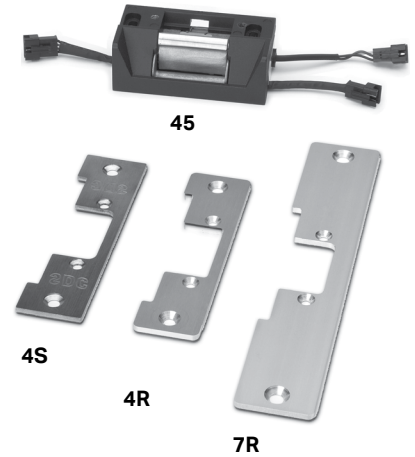
MULTI-APPLICATION STRIKE KITS

Multi-application kits include one electric strike and three faceplates. Faceplates are interchangeable for hollow metal, aluminum and wood frame applications. Consult factory for monitoring options.

45-A 45 Series Multi-Application Strike Kit

KIT COMPONENTS:

- (1) 5/8" Latchbolt Electric Strike
- (1) 4 7/8" Square Corner Stainless Steel Faceplate
- (1) 4 7/8" Radius Corner Aluminum Faceplate
- (1) 7 1/16" Radius Corner Aluminum Faceplate



BRIDGE RECTIFIERS

BR64XL AC to DC Bridge Rectifier



COMPONENT CONSIDERATIONS

KEYPADS & READERS

[CLICK TO VIEW](#)



SDC has a variety of digital keypad and proximity card access control systems equipment to meet any need. SDC's access control keypads & readers are engineered to provide real-world door control of a single opening up to 100 doors, as indoor, outdoor, and PC-based systems, while ensuring fire and life safety code compliance along with superior expandability and flexibility in authorization identification, authentication, access approval, and accountability of entities through login credentials.

KEY SWITCHES

[CLICK TO VIEW](#)



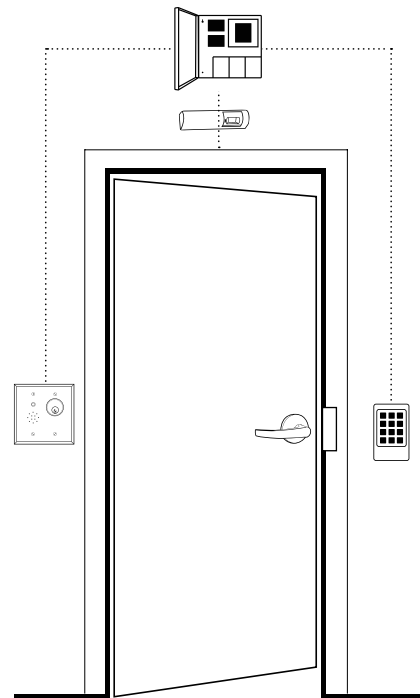
Early forms of access control began as manual key switches. Under SDC, key switches have evolved into an electrified access control method. SDC key switch assemblies provide an economical method of providing authorized control for a variety of applications and new or retrofit construction. Compatibility with a new or existing facility mechanical key system is maintained through the use of U.S. standard, 1" and 1 3/8" mortise key cylinders and interchangeable core cylinders (not included).

ANNUNCIATORS

[CLICK TO VIEW](#)



Multi-mode annunciators, like SDC's EA series door prop alarm, EA100 and 400 series LEDs, sirens, buzzers & speakers, come in a variety of door, frame, wall, ceiling or single and double gang box configurations to provide the ultimate in door status indication, access control system compatibility and control. SDC door prop alarms are compatible with all access control systems but can also function as a stand-alone solution. Models are available in single gang or narrow frame mount options.



POWER CONTROLLERS

[CLICK TO VIEW](#)



SDC access control power supplies have been developed specifically to support access controls and electric locking hardware. They are UL listed and provide filtered and regulated linear DC power, with optional control logic, component interface, alarm interface and battery back-up to meet the requirements of single and multiple access-controlled openings. The circuitry design is ideal for the inductive loads generated by access control hardware for high performance and longevity.