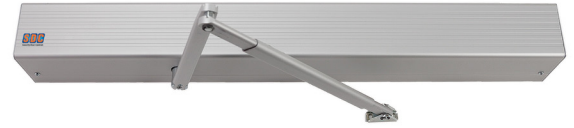


# AUTO Series

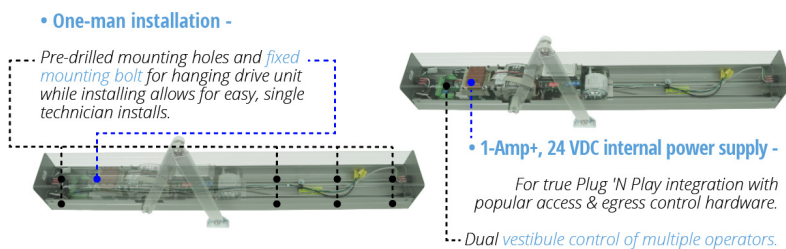
## Low Energy Swing Door Operators



Automatic low-energy swing door operators are designed for applications requiring ADA compliance or user convenience.

SDC's operator is built with a state-of-the-art microprocessor-based unit that is self-tuning and self-learning while offering non-handed operation, full-mechanical stops and a variety of interface options for sensors, push-plates, fire alarms and electrified locks.

SDC's operator is belt driven with a combination of gears and pulleys which requires less torque, less power, absorbs more abuse, and is quieter than other automatic door openers while complying with all US and Canadian ADA requirements. Onboard diagnostics simplifies troubleshooting for ease of installation and all SDC operators can be easily configured for surface mounted push/pull applications. ANSI certified not required for initial installation.



### MODELS

**AUTOS** One Drive Unit, Single Door Operation

**AUTOP** Two Drive Units, Double Door Operation

### STANDARD FEATURES

- Single button, self-tuning setup
- Extremely quiet operation
- Momentary back pressure relief
- Obstruction detection
- Power close option
- Hold-open timer
- External function switches
- Built-in 1 amp+ power supply\*
- Onboard lock sequencing
- Preset dip switches for alternative functions
- Customizable programming for system design
- USB port to easily upload customized programming
- Non-handed
- Push or pull compatible
- Spindles included
- High traffic use

\* Onboard power supply will accommodate 1.5amp inrush for all SDC latch retraction products.

### OPTIONAL FEATURES

- Extended and custom housing lengths



## APPLICATIONS

### LOW-ENERGY, HANDS-FREE COMPLIANCE

Security Door Controls is pleased to offer its latest product line designed to maximize public door accessibility for Americans with Disabilities Act (ADA) Title III applications. The Auto EntryControl™ low energy swing door operator provides our newest and most convenient features to gain safe access for ADA applications.

ADA is a civil rights law that is intended to guarantee equality for those who are physically handicapped or disabled. There are four major sections of the bill and they are intended to prohibit discrimination in employment, public service, public accommodations and telecommunications.

SDCs focus is on Title III (Public Accommodations). Title III is not a product specification or a building code, but a directive to ensure equality in accessibility within public buildings. Such things as door opening size, door opening force requirements, door closing time, degree of door opening and door and lock handle designs must all be addressed to satisfy the ADA guidelines.



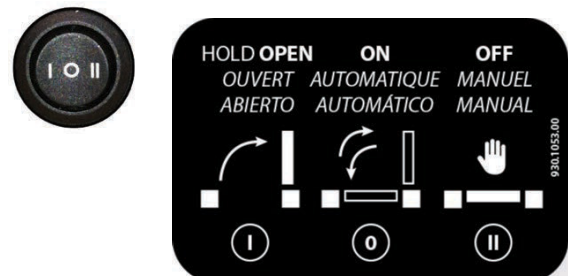
### ADA "BLUE-PAINT" ACCESS

From the moment a physically disabled person enters the facility parking lot, they immediately begin looking for the ADA "blue-paint" and signage. All subsequent entry decisions are based on following the "blue-paint" pathways designed to provide access.

After parking, attention quickly turns to locating a barrier-free ramp leading to the entry way and door actuator. Although the SDC Auto EntryControl™ Low Energy Operator can be useful on a variety of locations, the ADA "blue-paint" clearly defines a need for assisted ingress/ egress compliance in retail storefronts, office buildings, campuses and healthcare facilities.

### MODE CONTROL SWITCH

A three function switch is provided for control of the powered function of the operator. "Day" mode will engage the operator for normal powered operation with activation by push plate, "Push and Go", or signal from other "knowing act" device. "Night" mode disables the operator for normal powered operation; however, the operator can be configured to receive activation signals, from a secure activation device such as a card reader for secure activation, generally from one side. Switching to "Hold-Open" mode will power the operator opening the door, holding it open indefinitely.



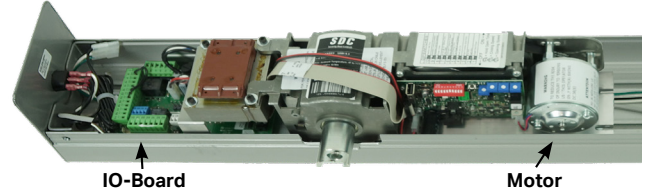
# APPLICATIONS

## HANDING DETAILS

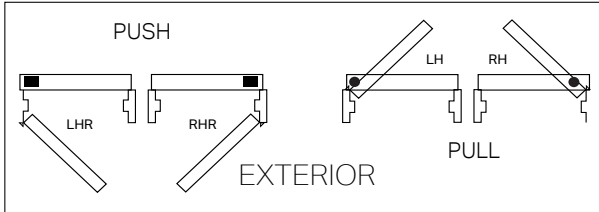
One operator works for any hand of door.

The hand depends on how the operator is mounted to the header. Determine the hand of the door to be automated and mount the operator as shown below.

The removeability of the motor assembly makes installation and mounting easy.

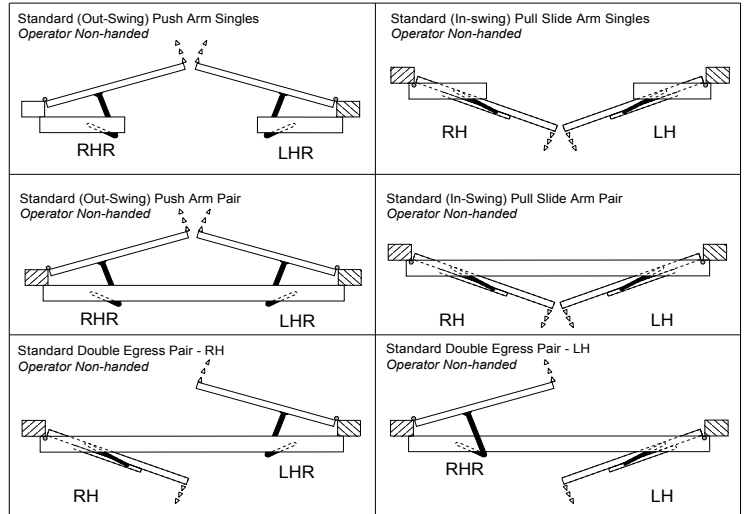


### PUSH/PULL CONFIGURATION

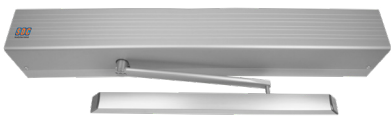


- = I/O board towards hinge
- = Motor towards hinge

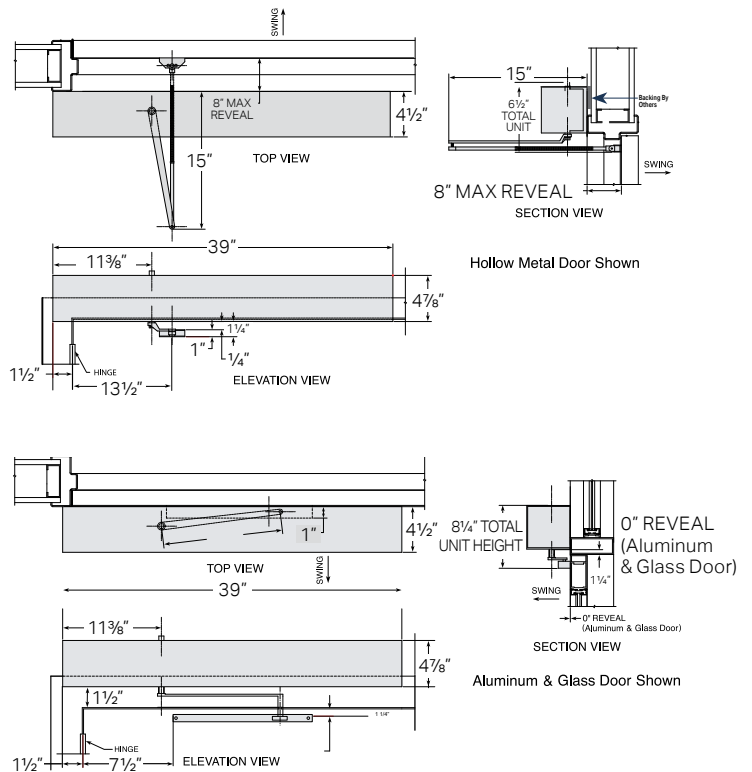
### DOUBLE DOOR CONFIGURATION



**AUTOS1**  
Standard Arm - PUSH Side



**AUTOS2**  
Track Arm - PULL Side



# APPLICATIONS

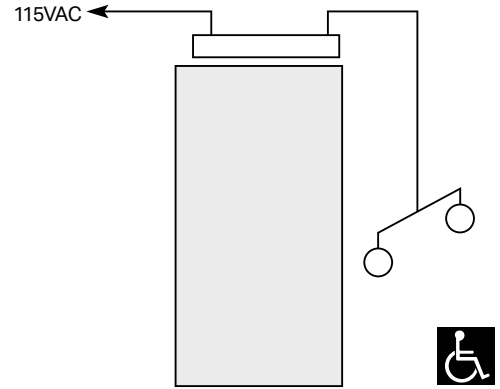
## AUTO OPERATOR WITH PUSH-PULL

Operation:

- Free ingress & egress using low energy operator or bypassing the operator and using door manually
- Door operator acts as standard door closer when entering or exiting manually

Material:

- Auto EntryControl™ low energy operator
- 2 door actuators or push and go
- Local power



## AUTO OPERATOR WITH CONCEALED SHEAR LOCK FOR GLASS DOORS

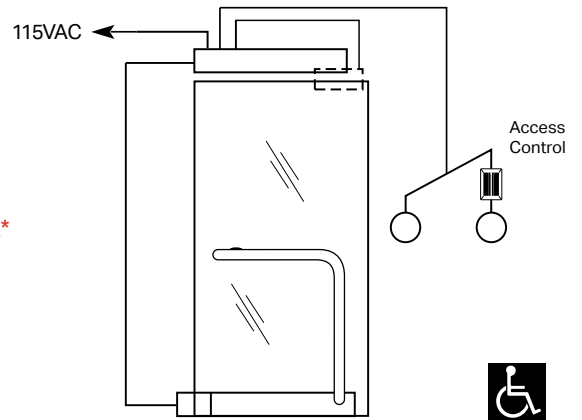
Operation:

- Free entry when security system is shunted or off
- Entry after hours by card reader, which unlocks & activates low energy operator
- Free egress at all times by touching push bar or using inside actuator, which de-energizes mag lock and activates low energy operator

Material:

- Auto EntryControl™ low energy operator
- Electromagnetic shear lock
- Touch bar sensor PUSH-PULL\*
- Access control
- SDC actuators

\* By others.



Electromagnetic Shear Lock  
Concealed HiShear 1560 Series

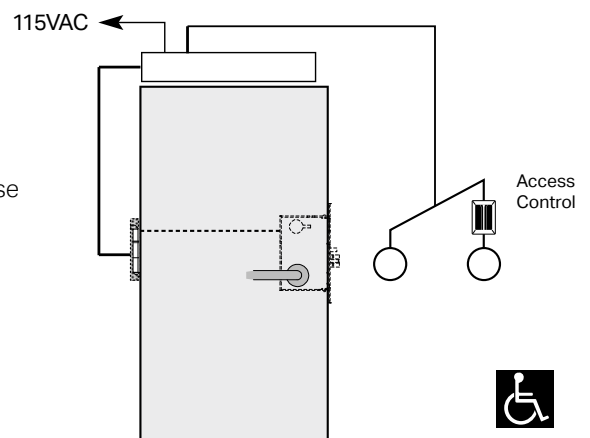
## AUTO OPERATOR WITH ELECTRIC LATCH RETRACTION MORTISE LOCKSET

Operation:

- Free entry when security system is shunted or off
- Entry after hours by card reader, which unlocks & activates low energy operator
- Free egress at all times by turning mortise locklever or using inside actuator, which activates mortise latch retraction and activates low energy operator

Material:

- Auto EntryControl™ low energy operator
- Electric latch retraction mortise lock
- Electrified hinge
- Card reader
- SDC actuators



Electric Latch Retraction  
Mortise Lock Z7600 Series

# APPLICATIONS

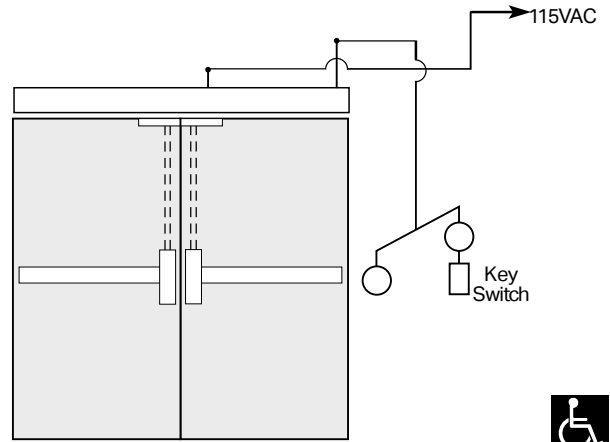
## AUTO OPERATOR WITH ELECTRIC STRIKE

**Operation:**

- Doors are to be closed and latched (Example: Fire Doors)
- Key switch shunts exterior actuator (Example: After hours traffic control)
- When not shunted, actuators will signal electric strike power supply and activate auto operators
- From secure side, egress by manually pushing exit devices or using inside actuator to activate auto operators

**Material:**

- AUTOP double low energy operator
- 2 vertical rod exit devices
- Electric strike - by others
- Key switch
- 2 actuators



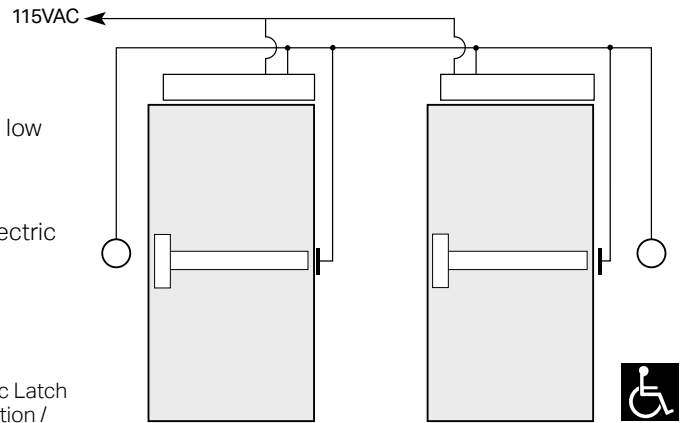
## AUTO OPERATOR WITH ELECTRIC LATCH RETRACTION EXIT DEVICE

**Operation:**

- Doors are to be closed and latched at all times
- When activated, latch bolts are retracted and door(s) will automatically open
- Non-rated devices can be dogged for push/pull operation

**Material:**

- 2 Auto EntryControl™ low energy operator
- 2 electric hinges
- 2 exit devices with electric latch retraction
- 2 actuators



Electrified Exit Device with Latch Retraction  
S6000E



Electric Latch Retraction / Dogging Kit  
LR100

## SPECIFICATIONS

Low Energy Operators shall:

- A. Provide door operator as recommended by manufacturer for door size, weight and movement; for condition of exposure; and for long-term, maintenance-free operation under normal traffic load for type of occupancy indicated.
- B. Operators: Self-contained units powered by a minimum fractional horsepower, permanent magnet, low voltage, DC motor.
  1. Electro-mechanical Operator: Transmit power from operator to door through reduction gear train, splined spindle, door arm and linkage assembly. Drive train shall have positive constant engagement.
    - a. Operator shall be non-handed. One operator type shall be used for in-swing, outswing, right hand or left hand. Handed operators shall not be acceptable.
    - b. Electro-Hydraulic operators, or operators requiring a manual door closer to pull the door closed following an automatic opening, shall not be acceptable.
    - c. Operator shall employ a field adjustable mechanical stop to limit door travel for the fully open or closed door position.
  2. Operation: Power opening and spring closing.
  3. Mounting: Surface applied

4. Features:

- a. Adjustable opening and closing speeds.
  - b. Adjustable hold-open time between 0 and 30 seconds.
  - c. Stop door on obstruction.
  - d. Push and Go operation
  - e. Fire Alarm input
  - f. Door Sequencing input
  - g. Door Interlock input
  - h. LED Status indication for all inputs
- C. Closing Operation: The operator shall close the door by coiled spring energy employing the motor as a dynamic brake to provide closing speed control. The closing spring shall be adjustable for positive closing action at a low material stress level for long spring life. Spring type shall be a clock style torsion spring. Linear type compression springs shall not be acceptable.
- D. Manual Use: The operator shall function as a manual door closer in the direction of swing with or without electrical power. The operator shall deliver an even, consistent open force across the entire transition from door fully closed to door fully open.
- E. Electrical service to door operators shall be provided under Division 16 Electrical. Minimum service to be 120 VAC, 10 amps for doors with operators in pairs, 5 amps for single doors.

<b>Power Supply</b>	115VAC @ 60Hz (+6%, -10%)	
<b>Power Consumption</b>	100W	
<b>Current Consumption</b>	1 Amp	
<b>Motor</b>	24 VDC Permanent Magnet with Belt Driven Encoder	
<b>Header Dimension</b>	4½" H x 4¾" D	
<b>Fused Protection</b>	3.5 Amp Fuse (F1 located on I/O board)	
<b>Weight</b>	22lbs per Operator Assembly	
<b>Ambient Operating Temperature</b>	-4 to 131°F	
<b>Ingress Protection</b>	IP23 - protection from spray water up to 60° from the vertical - i.e. rainstorm	
	PUSH Arm	PULL Arm
<b>Maximum Door Weight</b>	36" Door: 438 lbs	342 lbs
	42" Door: 328 lbs	256 lbs
	48" Door: 254 lbs	198 lbs

<b>Accessory / Lock Power Supply</b>	24 VDC / 1 Amp+*
<b>Adjustable Timers</b>	Hold Open Time, Opening and Closing Speed
<b>Standard Selector Switch Function</b>	<ul style="list-style-type: none"> <li>• Automatic</li> <li>• Hold open</li> <li>• Manual (off)</li> </ul>
<b>Standard Control Outputs</b>	<ul style="list-style-type: none"> <li>• Electric lock control</li> <li>• 24 VDC power supply</li> <li>• Door status (fully open and fully closed)</li> <li>• Alarm signal</li> </ul>
<b>Standard Control Inputs</b>	<ul style="list-style-type: none"> <li>• Interior activation</li> <li>• Exterior activation</li> <li>• Emergency shutdown</li> <li>• Fire alarm input</li> <li>• Safety device input</li> </ul>
<b>Maximum Degree of Opening</b>	130°
<b>Shipping Weight</b>	32.2 lbs

\* Onboard power supply will accommodate 1.5 amp inrush for all SDC latch retraction products..

## CERTIFICATIONS

Meets ANSI A156.19 Power Assist And Low Energy Power Operated Doors  
 UL325 Door, Drapery, Gate, Louver, Window Operators and Systems or Use on Fire and Smoke Check Doors

ETL Intertek Tested to UL/cUL Standards for Automatic Doors Used on Fire and Smoke Barrier Doors and CSA C22.2 No. 247-92 for Operators and Systems of Doors  
 ADA Americans With Disabilities Act

FCC47CFR Part 15 Class B Emissions Requirements (USA)  
 NFPA101 Life Safety Code  
 UL10C Fire-Rated, 3hr  
 ETL Intertek Listed

## HOW TO ORDER

### FOLLOW STEPS FOR ORDERING

 Designates optional step

#### SINGLE DOOR OPENINGS

##### 1| SPECIFY MODEL

**AUTOS** One Drive Unit, Single Door Operation

##### 2| SPECIFY FUNCTION

- 1 Push Arm(s), 35mm Spindle(s)
- 2 Pull Arm(s), 20mm Spindle(s)
- 3 Arm Kit, (1) Push and (1) Pull Arm, 35mm and 20mm Spindles

##### 3| SPECIFY LENGTH


- 36 36" Door Opening, 39" Housing Length
- 42 42" Door Opening, 45" Housing Length
- 48 48" Door Opening, 51" Housing Length
- 72\* 72" Door Opening, 75" Housing Length
- 84\* 84" Door Opening, 87" Housing Length
- 96\* 96" Door Opening, 99" Housing Length

\* Not available for AUTOS3 models.



Shown with optional Auto-IR

##### 4| SPECIFY FINISH

- V 628 Dull Aluminum 
- X 710 Dark Bronze
- Y 335 Dull Black

STEP NUMBER:	1	2	3	4
ORDERING EXAMPLE:	<b>AUTOS</b>	<b>1</b>	<b>36</b>	<b>V</b>

#### DOUBLE DOOR OPENINGS

##### 1| SPECIFY MODEL

**AUTOP** Two Drive Units, Double Door Operation

##### 2| SPECIFY FUNCTION

- 1 Push Arm(s), 35mm Spindle(s)
- 2 Pull Arm(s), 20mm Spindle(s)
- 4 (1) Push and (1) Double Egress Arm, 80mm and 20mm Spindles


##### 3| SPECIFY LENGTH

- 72 72" Door Opening, 75" Housing Length
- 84 84" Door Opening, 87" Housing Length
- 96 96" Door Opening, 99" Housing Length



Shown with optional Auto-IR

##### 4| SPECIFY FINISH

- V 628 Dull Aluminum 
- X 710 Dark Bronze
- Y 335 Dull Black




STEP NUMBER:	1	2	3	4
ORDERING EXAMPLE:	<b>AUTOP</b>	<b>4</b>	<b>72</b>	<b>V</b>

## RELATED PRODUCTS

#### OPTIONAL ARM EXTENSION

- AUTO-AEV** Arm Extension for PUSH Arm for Reveal >8" (13" max), 628 Aluminum
- AUTO-AEX** Arm Extension for PUSH Arm for Reveal >8", 710 Dark Bronze

#### OPTIONAL SPINDLES

- SP20** 20 mm Spindle 
- SP35** 35 mm Spindle 
- SP50** 50 mm Spindle 
- SP80** 80 mm Spindle 

## RELATED PRODUCTS

### PRESENCE SENSOR AND DOOR RE-ACTIVATOR

Auto EntryControl's™ Auto-IR Accessory allows re-activation of door before contact is made during the closing cycle, protecting slow-moving people as well as people trailing behind. It reliably detects stationary as well as moving objects in the swing path of an automatic door. When using the Auto-IR mounted on the application side of the door, the need for an extended hold open time is eliminated, allowing the door to begin the close cycle after the minimum 5 second hold open time has elapsed.

- Exceeds ANSI 156.19 standards by offering a contactless experience
- Proven active infrared technology (distance measurement sensor using the principle of triangulation)
- Guarantees smooth and safe operation of a door intended to be used by the elderly and disabled people. Sensor is only active following a knowing activation such as pressing a wall switch
- Following a door activation, the Auto-IR remains enabled to allow continued automatic non-contact re-activation capability should someone remain in the door opening while the door is open or while it is closing



**AUTO-IR** Presence Sensor and Door Activator  
48", Length Field-Adjustable

### REMOTE KEY LOCK AND ROCKER SWITCHES

The AUTO Switches series offer cost-effective, remote automatic door operator controls. Fully compatible with all Auto EntryControl operators, they provide the same OFF-AUTO-HOLD OPEN functionality as the operator's built-in switch. All models include mounting hardware and termination wire leads. Key lock switch models are keyed alike and include 2 keys. Key is removable in all 3 positions.

- Rocker Switch: 20A @ 125VAC; 12A @ 250VAC
- Key Lock Switch: 4A @ 28VDC; 4A @ 125 VAC; 2A @ 250VAC
- Narrow Faceplate: 4½" x 1¾" Stainless Steel, designed to mount in the aluminum jamb
- Single Gang Faceplate: 4⅝" x 2⅞" Stainless Steel, designed to mount on standard electrical box



**AUTO-KS** Single Gang Key Lock Switch  
**AUTO-KSN** Narrow Key Lock Switch  
**AUTO-RKR** Narrow Rocker Switch

### HANDHELD PROGRAMMER MODULE FOR CUSTOM CONFIGURATION

Allows for custom configuration and adjustment of:

- All Inputs & Outputs
- The Opening/Closing Motion Settings (e.g., Speed, Strength, Backcheck)
- Most Timers (e.g., Push & Go Pause Time, Strike Relay Delay)
- Advanced Interlock/Sequencing Capabilities
- Diagnostic Information (e.g., Errors, Warnings, Cycle Count)



**AUTO-PROG** Handheld Programmer



## COMPONENT CONSIDERATIONS

### PUSH PLATES & PANELS

[CLICK TO VIEW](#)



SDC's push plates and panels combined with SDC's operators, bollards and locking devices allow for complete access and egress solutions for ADA compliant applications. Included are round and square push plates, as well as wall mount and full-size push panels. All types can be wireless or hardwired, bollard or wall mounted. ADA compliant solutions work seamlessly with low energy swing door operators like Auto EntryControl™.

### POWER TRANSFER DEVICES

[CLICK TO VIEW](#)



Electrified power transfer hinges (PTH Series), loops (PT Series) and mortise devices (PTM Series) provide both surface and concealed methods for running wires from the frame to transfer power and monitoring signals to doors equipped with electric locks and exit devices. Wireless power transfer devices (WPT Series) wirelessly transfer power and monitor latch bolt status, REX or data signals to electrified locks and latches.

### BOLLARDS

[CLICK TO VIEW](#)



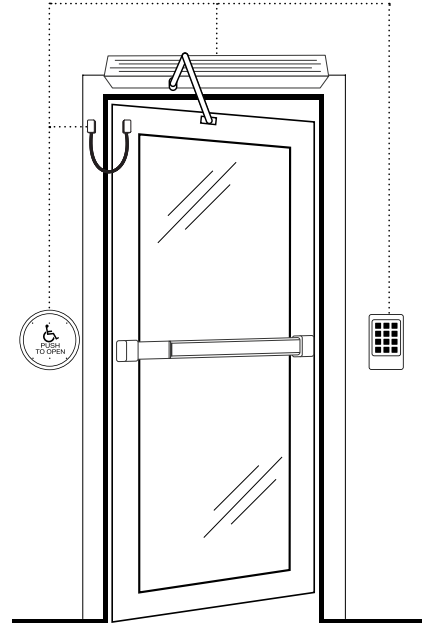
SDC's line of bollard posts are a practical alternative to wall mounted access controls or switches for entry doors. They combine visibility with convenience to meet or exceed accessibility and building code requirements throughout North America. A choice of surface mount or in-ground installation models and a variety of push plates and panels are offered. SDC's bollard posts are built with quality materials and attention to detail for durability in high traffic areas and harsh weather conditions.

### EXIT SWITCHES & SENSORS

[CLICK TO VIEW](#)



SDC offers a variety of exit button and push button styles and contact configurations to fit several request-to-exit application needs. Additionally, SDC's wave-to-open switches and motion sensors provide hands free compliance and convenience for touchless applications using proven infrared detection technology. A simple wave of the hand in front of our touchless switch models activates the switch to control electric locks/strikes, magnetic locks or automatic door operators for entry or egress.



### EXIT DEVICES & RETROFIT ELR KITS

[CLICK TO VIEW](#)



SDC's exit devices provide safe and reliable security, fire and life safety, and ADA code compliance. All of our exit devices are also available with electrified options including ELR and REX capabilities as standard on selected models. With a variety of options, there is an SDC panic and fire exit device for virtually any door opening application. Our QuietDuo™ LR100 series motorized electric latch retraction retrofit kits enable electric access control and dogging of mechanical exit devices.

### KEYPADS & READERS

[CLICK TO VIEW](#)



SDC has a variety of digital keypad and proximity card access control system equipment to meet any need. SDC's keypads and readers are engineered to provide real-world door control of a single opening up to 100 doors, such as indoor, outdoor and PC-based systems, while ensuring fire and life safety code compliance along with superior expandability and flexibility in authorization identification, authentication, access approval and accountability of entities through login credentials.