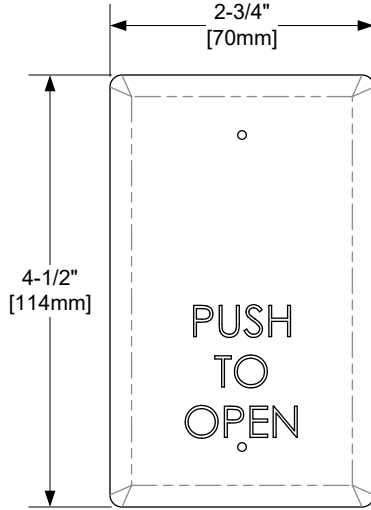


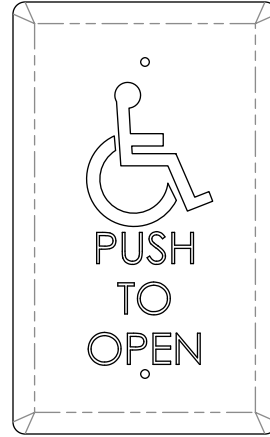


INSTALLATION INSTRUCTIONS

480-2 SINGLE GANG PUSH PLATE SPDT SWITCH 482O2U / 482A2U / 484O2U / 484A2U



482O2U (SPDT) /
484O2U (DPDT)



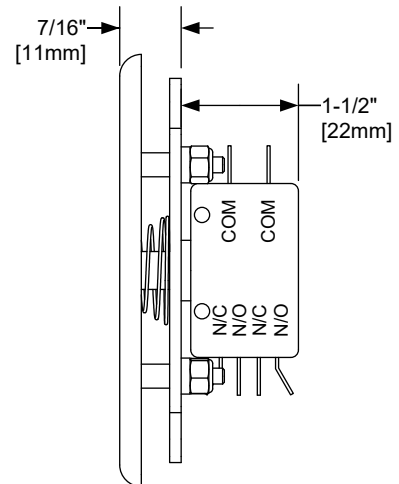
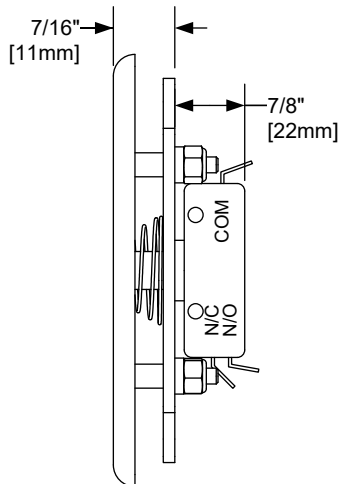
482A2U (SPDT) /
484A2U (DPDT)

482O2U / 482A2U Specifications:

Physical Size: 2-3/4" x 4-1/2" x 1-5/16"
Contact Type: SPDT - Momentary
Contact Rating: 2 Amp @ 48 VDC
15 Amp @ 125/250 VAC

484O2U / 484A2U Specifications:

Physical Size: 2-3/4" x 4-1/2" x 1-15/16"
Contact Type: DPDT - Momentary
Contact Rating: 2 Amp @ 48 VDC
15 Amp @ 125/250 VAC



*Switch mounts to a standard Single Gang (2" x 4") electrical box. Compatible with SDC supplied 480-2SB Surface Mount Box.