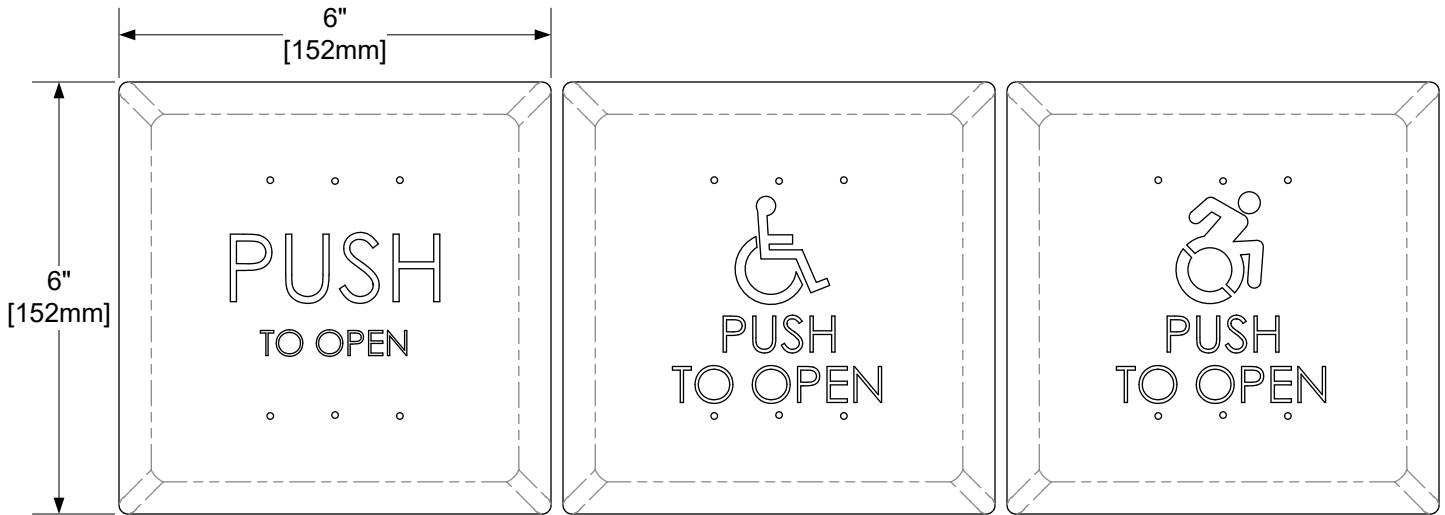




INSTALLATION INSTRUCTIONS

480-6 6" SQUARE PUSH PLATE SWITCH 482O6U / 482A6U / 482B6U / 484O6U / 484A6U / 484B6U



482O6U (SPDT) /
484O6U (DPDT)

482A6U (SPDT) /
484A6U (DPDT)

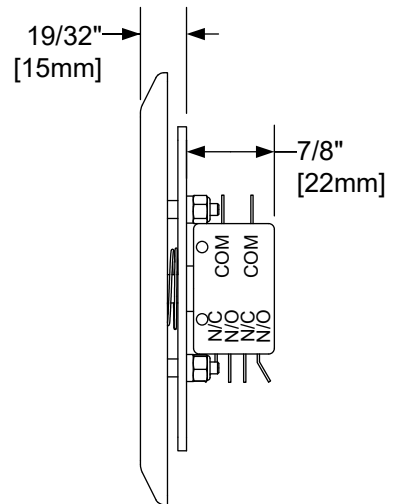
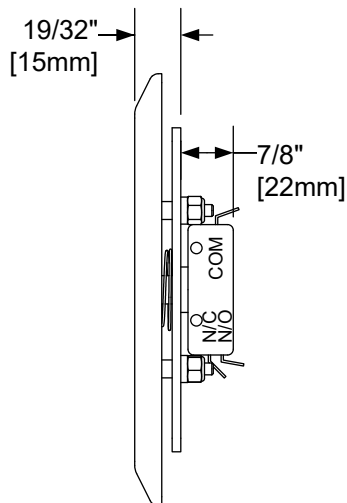
482B6U (SPDT) /
484B6U (DPDT)

482O6U / 482A6U / 482B6U Specification:

Physical Size: 6"sq x 1-7/16"
Contact Type: SPDT - Momentary
Contact Rating: 2 Amp @ 48 VDC
15 Amp @ 125/250 VAC

484O6U / 484A6U / 484B6U Specification:

Physical Size: 6"sq x 2-1/16"
Contact Type: DPDT - Momentary
Contact Rating: 15 Amp @ 125/250 VAC



*Switch mounts to a standard Single Gang (2" x 4") or Double Gang (4" x 4") electrical box (for Double Gang installation, use supplied adapter plate and screws). Compatible with SDC supplied 480-SSB Surface Mount Box and 480-SFB Flush Mount box.

Any suggestions or comments to this instruction or product are welcome. Please contact us through our website or email engineer@sdsecurity.com