

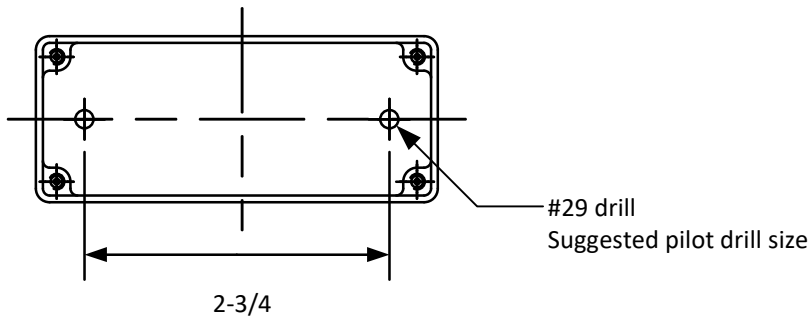
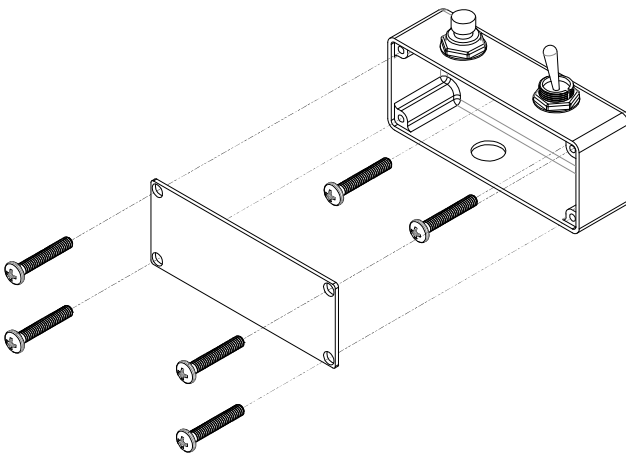


INSTALLATION INSTRUCTIONS

D15-2-3

CONCEALED REMOTE DESK SWITCH MOMENTARY PUSH & TOGGLE SPDT SWITCH

Remove the 4 screws from the cover plate to obtain access to the mounting holes. Use the supplied #8 wood screws to fasten desk switch.



Mounting hole dimension
(Not to scale)

ELECTRICAL SPECIFICATION

		<u>Switch Rating</u>
		6 amps @ 125 vac (Resistive)
Momentary Switch	}	<u>Wire Code</u>
		N/O YELLOW
		COM WHITE
		N/C ORANGE
		<u>Switch Rating</u>
		5 amps @ 30 vdc (Resistive)
Toggle Switch	}	<u>Wire Code</u>
		N/O YELLOW
		COM WHITE
		N/C ORANGE