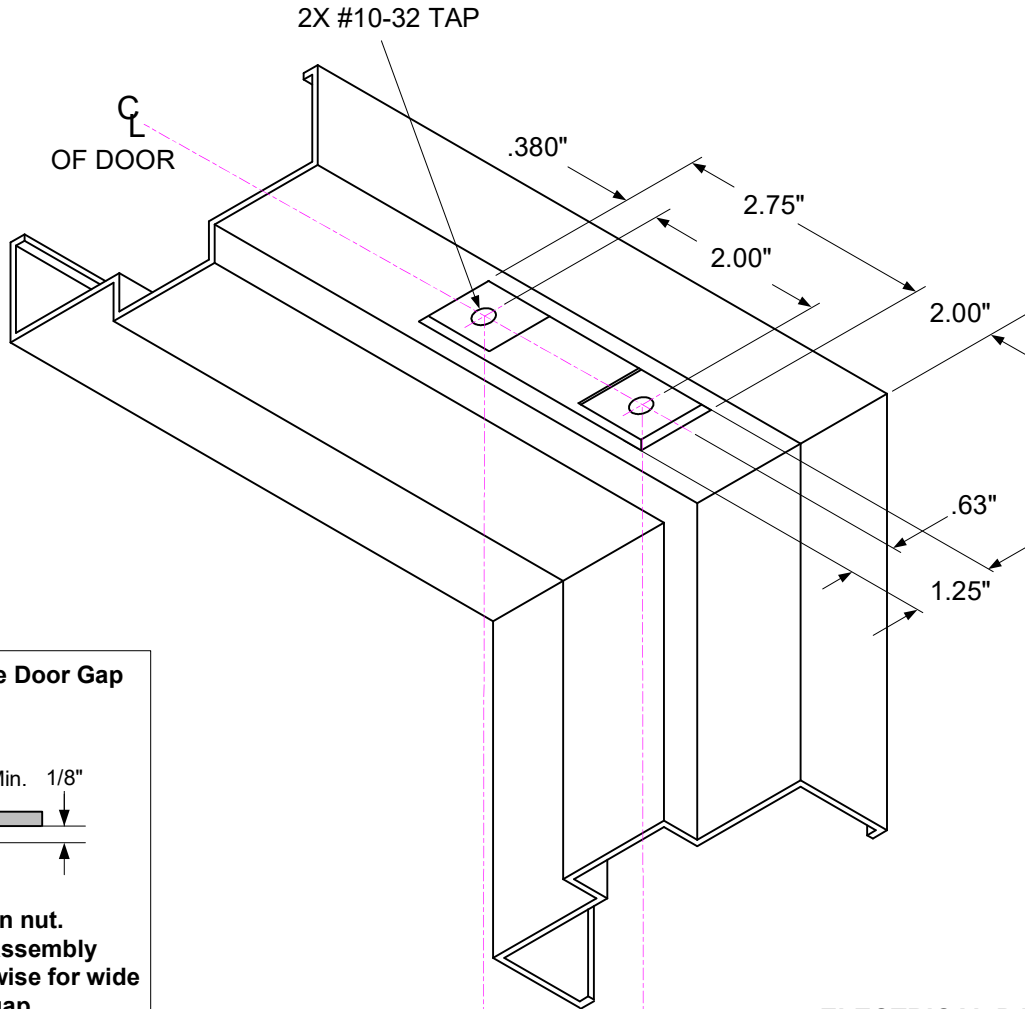




INSTALLATION INSTRUCTIONS

DPS-11 ELECTROMECHANICAL SPDT BALL SWITCH



Adjustable for Wide Door Gap

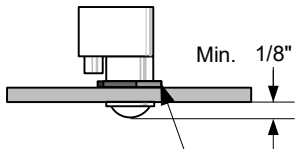


Fig. 1 Loosen nut. Turn assembly clockwise for wide door gap. Tighten nut.

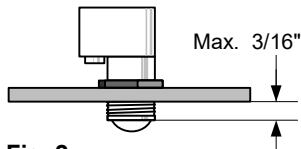
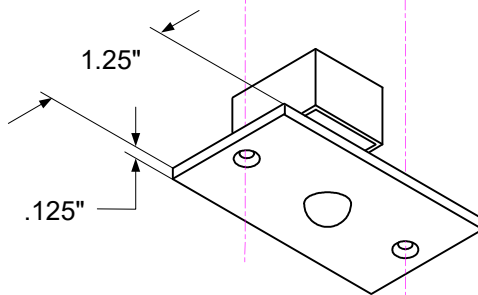


Fig. 2



ELECTRICAL DATA:

- WHITE - COMMON
- ORANGE - NORMALLY CLOSED
- YELLOW - NORMALLY OPEN

SPDT 5AMP

(DOOR CLOSED POSITION)