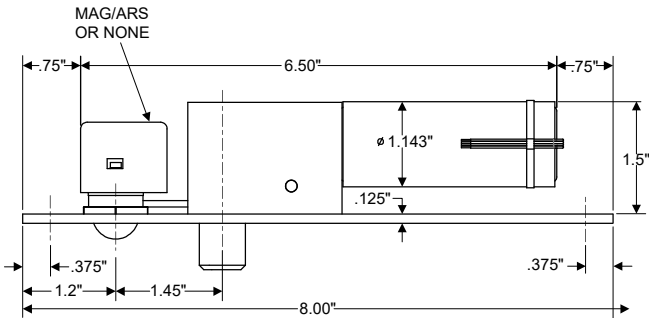




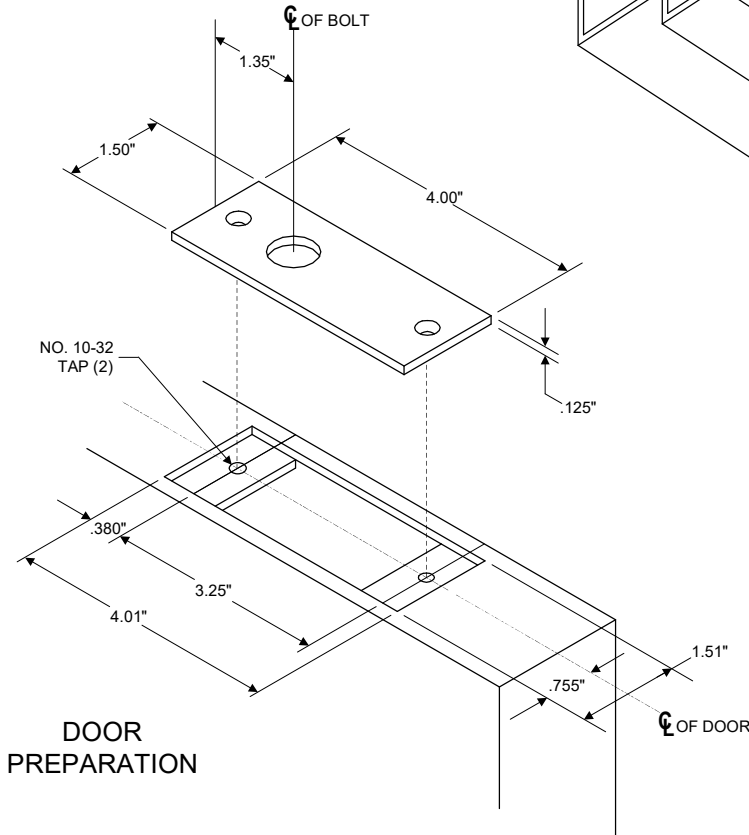
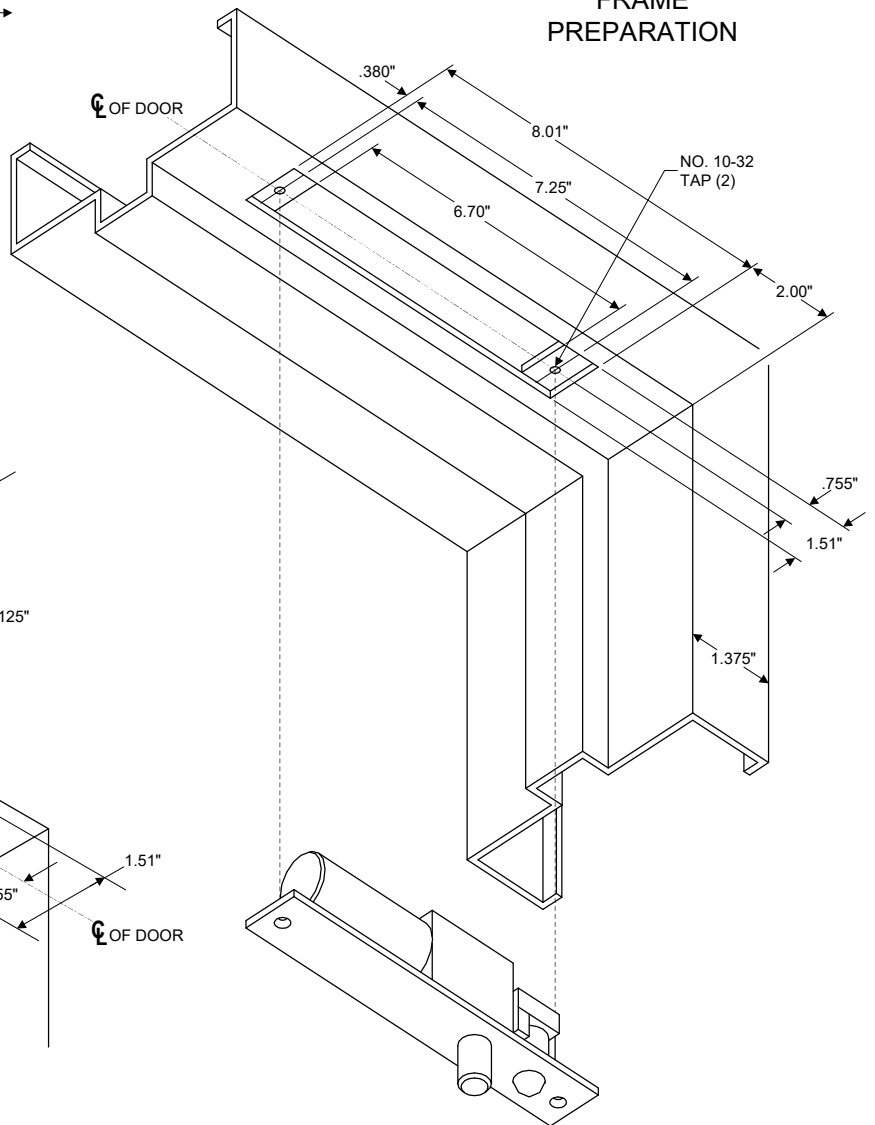
INSTALLATION INSTRUCTIONS

1291A TEMPLATE



**NOTE: CONSULT FACTORY FOR WOOD INSTALLATION.
NOTE: TEMPLATE DIMENSIONS ARE SUBJECT TO
CHANGE WITHOUT NOTICE.**

FRAME PREPARATION



DOOR PREPARATION

TECHNICAL DATA (FOR STANDARD UNIT)

- FACE PLATE:** 8" x 1-1/2" x 1/8"
- STRIKE:** 4" x 1-1/2" x 1/8"
- ID REQUIREMENTS:** 8" x 1-1/2" x 1-1/2"
- BOLT:** 5/8" DIA. SOLID STAINLESS STEEL

Any suggestions or comments to this instruction or product are welcome. Please contact us through our website or email engineer@sdsecurity.com