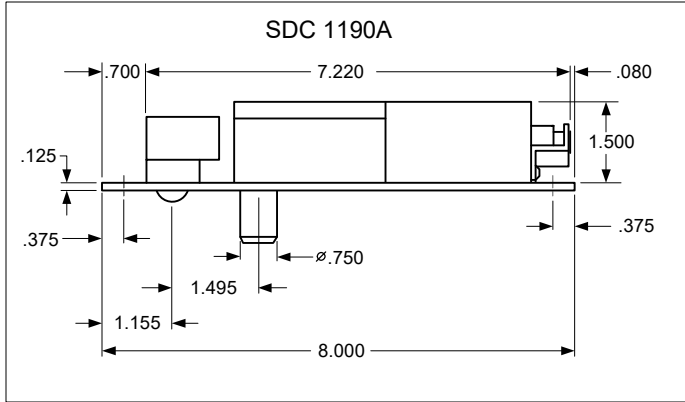


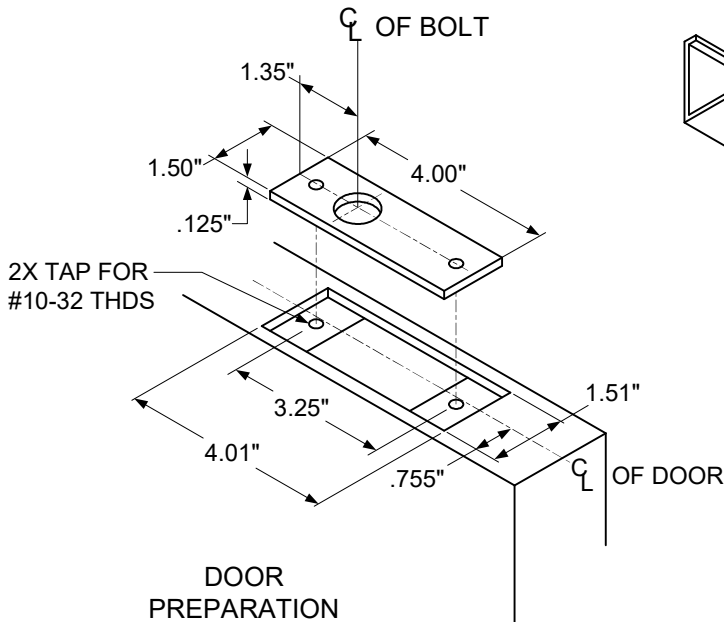
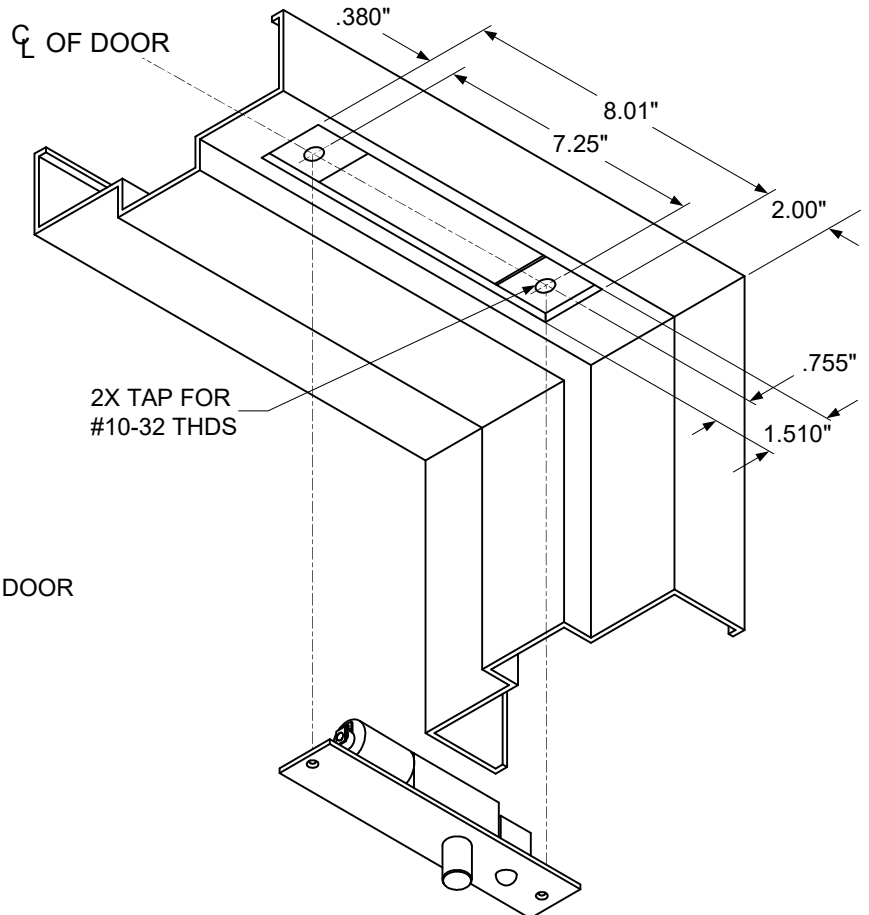


INSTALLATION INSTRUCTIONS

1190A HEAVY DUTY CONCEALED MORTISE BOLT LOCK DIMENSIONAL TEMPLATE



FRAME PREPARATION



NOTE: TEMPLATE DIMENSIONS ARE SUBJECT TO CHANGE WITHOUT NOTICE.

TECHNICAL DATA (FOR STANDARD UNIT)

- FACE PLATE:** 8" x 1-1/2" X 1/8"
- STRIKE:** 4" x 1-1/2" x 1/8"
- ID REQUIREMENTS:** 8" x 1-1/2" x 1-1/2"
- BOLT:** 3/4" Dia. Solid Stainless Steel
- BOLT THROW:** 3/4"
- PR-1000 MODULE:** 3-3/4" x 1-1/4" x 1/2" (Required when mounted in frame.)

Any suggestions or comments to this instruction or product are welcome. Please contact us through our website or email engineer@sdsecurity.com