

GWXT Auxiliary Locks
CVXJ Burglary Resistant Electrically Operated Door Lock

UL10C Positive Pressure Compliant
UBC Classified in accordance with Uniform Building Code standard 7-2 "Fire Test for Door Assemblies"

1510 Series Grade 1
1650 lb / 748 Kg Holding Force

ELECTRICAL SPECIFICATIONS

Voltage: 12/24VDC Voltage Sensing Input
Single: 350mA @ 24VDC; 670mA @ 12VDC
Double: 700mA @ 24VDC; 1.34A @12VDC

MECHANICAL SPECIFICATIONS

Single: 11" L x 2.75" H x 1.562" D
(279.4 x 69.9 x 39.7 mm)
Double: 22" L x 2.75" H x 1.562" D
(558.8 x 69.9 x 39.7 mm)

1570 Series Grade 1
1200 lb / 544 Kg Holding Force

ELECTRICAL SPECIFICATIONS

3 Watt Power Saver
Voltage: 12/24VDC Voltage Sensing Input
Single: 125mA @ 24VDC; 250mA @ 12VDC
Double: 250mA @ 24VDC; 500mA @ 12VDC

MECHANICAL SPECIFICATIONS

Single: 11" L x 2.75" H x 1.562" D
(279.4 x 69.9 x 39.7 mm)
Double: 22" L x 2.75" H x 1.562" D
(558.8 x 69.9 x 39.7 mm)

1580 Series Grade 1
650 lb / 295 Kg Holding Force

ELECTRICAL SPECIFICATIONS

Voltage: 12/24VDC Voltage Sensing Input
Single: 220mA @ 24VDC; 440mA @ 12VDC
Double: 440mA @ 24VDC; 880mA @ 12VDC

MECHANICAL SPECIFICATIONS

Single: 8.75" L x 2.125" H x 1.25" D
(222.2 x 54 x 31.8 mm)
Double: 17.5" L x 2.125" H x 1.25" D
(444.5 x 54 x 31.8 mm)

SECURITY DOOR CONTROLS
801 Avenida Acaso • Camarillo, CA 93012
Email: Service@sdsecurity.com • www.sdsecurity.com



Magnetic Locks



1511



1512



1513



1571



1572



1573



1581



1582

EMLOCK® MODELS

Distributor Discount Code **GK** LIST

1650lb / 748 kg Holding Force, Automatic Voltage Sensing Input

1511 Single EmLock®	480.00
1512 Double EmLock®	960.00
1513 Single EmLock®, split armature for pair of doors	539.00

1200lb / 544 kg Holding Force, Automatic Voltage Sensing Input

1571 Single EmLock®	449.00
1572 Double EmLock®	907.00
1573 Single EmLock®, split armature for pair of doors	507.00

650lb / 295 kg Holding Force, Automatic Voltage Sensing Input

1581 Single EmLock®	374.00
1582 Double EmLock®	737.00

SPECIFY FINISH

Add to List

Anodized Finishes (Architectural Housing: Add 21.00 per foot to base)		Single EmLock	Double Emlock
V	628 Aluminum (standard)	N/C	N/C
Y	335 Black	86.00	129.00
Powder Coat Finishes (a coating electrostatically applied to form a hard finish, that is tougher than conventional paint)		Single EmLock	Double Emlock
X	Dark Bronze Powder Coat Painted (313/613 Equal)	86.00	129.00
C	Brass Powder Coat Painted	86.00	129.00
Plated Finishes - Special order, no cancellation, no returns			
P	625 Bright Chrome	203.00	235.00
Q	626 Dull Chrome	203.00	235.00

Architectural Housing add \$30 per foot to above Single Unit Price.



1575U
see page 16



1576U
see page 16

EMLock® Magnetic Locks

SPECIFY OPTIONS

List

See Modular Program price list when ordering separately for field upgrades. Different part numbers and pricing apply.

T	Adjustable timer. Built in field adj. 0-30 sec. relock delay. Specify one for single or double EmLocks® (not available with 1580 series)	70.00
D	Door position sensor. Indicates door open and door closed. Specify two for double EMLocks® (not available with 1513 and 1573) SPDT Dry, 250 mA @ 30VDC.	44.00
B	Magnetic bond sensor. Indicates locked with full holding power and unlocked, low holding power, low voltage, tampering and obstruction between armature and magnetic core. Specify (2) for double EmLocks® (Not available with 1513 and 1573) <ul style="list-style-type: none"> 1510 & 1570 Series: SPDT Dry, 250 mA @ 30VDC. 1580 Series: SPST N.O., Dry, 250 mA @ 30VDC. 	65.00
L	Bi-color status LED indicator. Field selectable Red and Green. (Not installed in lock.) Indicates lock energized when wired to lock input. Indicates de-energized/unlocked or "Enter/Go" when wired to built-in TD Module Indicates energized and de-energized or "Enter/Go" when wired to access control auxiliary output. Indicates door is closed and locked and door is unlocked when wired to Bond Sensor.	18.00
A	Anti-tamper sensor. Indicates access cover removal. SPDT Dry, 1 Amp @ 30VDC	54.00

SPECIFY TOP JAMB MOUNTING KIT

Distributor Discount Code **GK** LIST

Kits for 1200lb and 1650 lb Locks

Kits for 650lb Locks

TJ1	Single	TJ81	Single	129.00
TJ2	Double	TJ82	Double	210.00

Add to List

Anodized Finishes

			Single Top Jamb	Double Top Jamb
V	628 Aluminum (std)	N/C	86.00	171.00

Powder Coat Finishes (a coating electrostatically applied to form a hard finish, that is tougher than conventional paint)

X	Dark Bronze Powder Coat Painted	C	Brass Powder Coat Painted	86.00	171.00
----------	---------------------------------	----------	---------------------------	--------------	---------------

Plated Finishes - Special order, no cancellation, no returns

P	625 Bright Chrome	Q	626 Dull Chrome	203.00	235.00
----------	-------------------	----------	-----------------	---------------	---------------

Add to List

SPECIFY GLASS DOOR MOUNTING KIT

Distributor Discount Code **GK** List

- Universal glass door kits are compatible with lock models, except 1513 and 1573
- Field adjustable for 1/2", 5/8" and 3/4" all glass Herculite doors

Kits for 1511, 1571, 1581

Kits for 1512, 1572, 1582

HDB1	Single	193.00	HDB2	Double, 2 single kits	385.00
-------------	--------	---------------	-------------	-----------------------	---------------

Add to List

Anodized Finishes

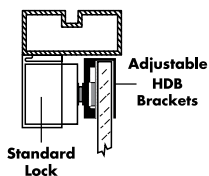
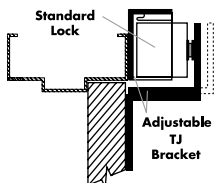
			Single	Double
V	628 Aluminum (std)	N/C	86.00	171.00

Powder Coat Finishes (a coating electrostatically applied to form a hard finish, that is tougher than conventional paint)

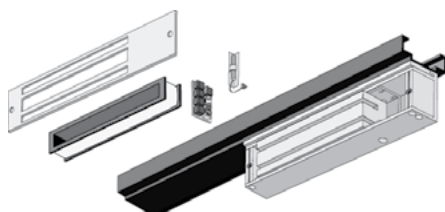
X	Dark Bronze Powder Coat Painted	C	Brass Powder Coat Painted	86.00	171.00
----------	---------------------------------	----------	---------------------------	--------------	---------------

Plated Finishes - Special order, no cancellation, no returns

P	625 Bright Chrome	Q	626 Dull Chrome	108.00	214.00
----------	-------------------	----------	-----------------	---------------	---------------



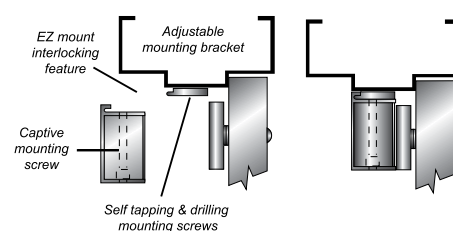
Field Upgrade without Removing from the Frame



Field Install

- Monitoring outputs
- Timers
- Top jamb "Z" kit
- Glass door kits

Interlocking Quick Mount Assembly



EMLock® Magnetic Locks



Vertical Housing EMLock

Distributor Discount Code **GK**

LIST

Vertical Housings - Side jamb mount, provides 2,400 or 3,300 lbs. of holding force.

1572VV82	Vertical Housing for 1572 EMLock, 82" length, for 84" opening - INCLUDES EMLock	1599.00
1512VV82	Vertical Housing for 1512 EMLock, 82" length, for 84" opening - INCLUDES EMLock	1654.00

See page 7 for special finish designation and finish price

Custom Length (1512 or 1572)

Add to List

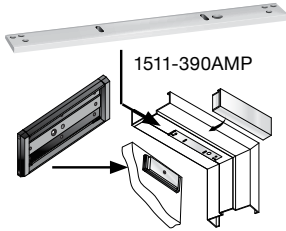
CV	Custom length - any length OVER 82". Specify exact length	1200.00
-----------	---	----------------

Retrofit Kit for Discontinued Locknetics 390+ PLUS

Distributor Discount Code **GK** **LIST**

Enables replacement of Locknetics 390+ PLUS with SDC's 1511 and 1571 (ordered separately)

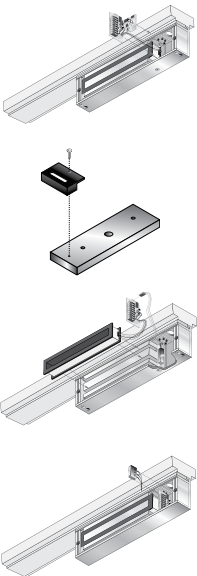
1511-390AMP	Retrofit Kit includes lock mounting plate with self-tapping & drilling screws and Armature assembly, utilizes existing 390+ thru-bolt hole.	54.00
--------------------	---	--------------



Field Installed Modular Upgrade Kits

Ordered separately for field upgrade without removing the lock from the frame

For complete details contact SDC to request the Modular Upgrade Kit datasheet or download from the SDC website: www.sdcsecurity.com All available through shipQuick Inventory



EZ-T-10 Adjustable Timer Input Module:	70.00	EZ-A Anti-Tamper Switch Module:	54.00
Specify (1) for single or double EmLocks® (not available with 1580 series)		Indicates cover plate removal.	
EZ-D-10 1510, 1570 Door Position Sensor Module:	44.00	EZ-1510W Holding Force Module:	54.00
Specify (2) for double EmLocks® (not available with 1513 and 1573)		Replace a 1200lb wire core (1570 series) with this 1650lb wire core. Specify (2) for double EmLocks®	
EZ-D-80 1580 Door Position Sensor Module:	44.00	EZ-1570W Energy Saver Module:	54.00
Specify (2) for double EmLocks®		Save on power supply and long term energy costs by replacing 8.4 Watt, 1650lb coil with 3 Watt, 1200lb holding force coil. Specify (2) for double EmLocks®	
EZ-B-10 1510, 1570 Magnetic Bond Sensor Module:	65.00	EZ-B-80 1580 Magnetic Bond Sensor Module (SPST):	65.00
Specify (2) for double EmLocks® (Not available with 1513,1573)		Specify (2) for double EmLocks®	

Reusable Heavy Duty Drill Fixture

Distributor Discount Code **G** **LIST**



1511-DF	Heavy duty drill fixture for 1571 and 1511	161.00
1581-DF	Heavy duty drill fixture for 1580	161.00
BN-PT	Blind Nut Placement Tool	129.00
BN-50	Blind Nuts, 10/32, 50 Pack	54.00

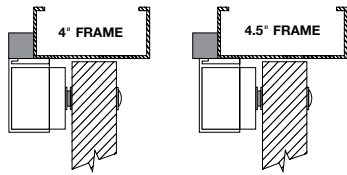
Universal Header Bracket

Distributor Discount Code **GK LIST**

Used in lieu of angle brackets, the Universal Header Bracket provides a faster mounting solution, saving time and labor costs for several EmLock® models. Reduce potential for mis-sized and misaligned mounting holes, broken taps, removal of broken taps. Combined with interlocking E-Z mount assembly, save up to a half day's labor with the installation of 12 locks.

FEATURES

- Solid 1" bar provides higher security and superior aesthetics.
- Multiple pre-drilled and tapped mounting holes to accommodate the use of several different locks on either 4" or 4.5" aluminum frames
- Machined wire chase provides concealed and secure wiring



UB11V	Bracket for 1511, 1513, 1571. 1" x 1" x 11"	70.00
UB12V	Bracket for 1512, 1572. 1" x 1" x 22"	137.00

See special finishes page 11



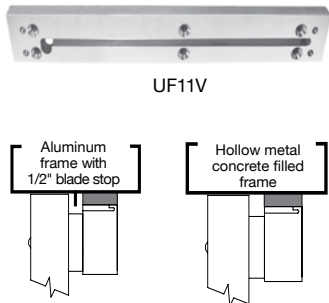
Aluminum Spacer Bracket & Concrete Filled Frame Plate - Pre-Drilled & Tapped **GK LIST**

APPLICATION

- Aluminum frames with blade stop - lowers EmLock® below blade stop
- Concrete filled hollow metal frames - provides multiple points for concealed wire entry

FEATURES

- Pre-drilled and tapped specifically for 1510, 1570, 1580 EmLock
- Machined wire chase provides multiple points for concealed wire entry from concrete filled frames.



UF11V	Bracket for 1511, 1513, 1571, 1573. 1/2" x 1-1/2" x 11"	97.00
UF12V	Bracket for 1512 and 1572. 1/2" x 1-1/2" x 22"	120.00
UF81V	Bracket for 1581. 1/2" x 1-1/4" x 8-3/4"	78.00
UF82V	Bracket for 1582. 1/2" x 1-1/4" x 17-1/2"	108.00

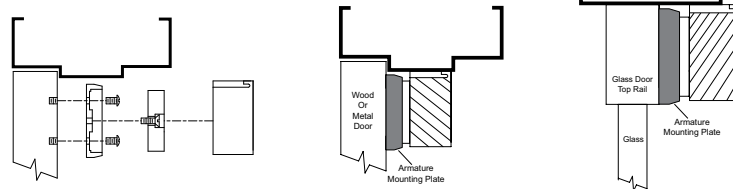
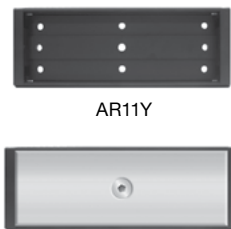
Armature Mounting Plate

Distributor Discount Code **GK LIST**

The AR Mounting plate provides a solution for mounting the EmLock® armature to the top rail of aluminum, glass, wood and hollow metal doors that do not permit the use of thru bolts. **Dimension:** 8 1/2" x 3"

MODEL

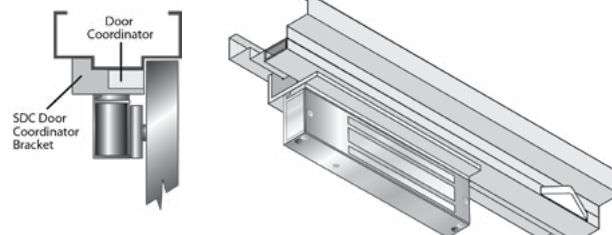
AR11Y	Armature mounting plate (Black) Specify one for models 1511, 1571, two for models 1512, 1572	65.00
AR11YD	Armature mounting plate (black) with door sensor Specify one for models 1511, 1571, two for models 1512, 1572	108.00



Door Coordinator Lock Mounting Kit

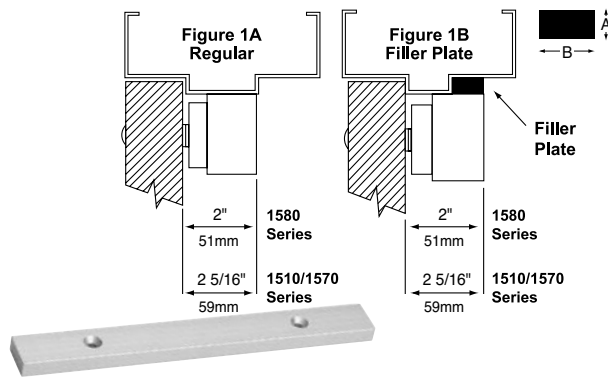
Distributor Discount Code **GK LIST**

DC-1	Door coordinator mounting bracket for single models 1511 and 1571.	129.00
DC-2	Door coordinator mounting bracket for double models 1512 and 1572.	235.00



Filler Plates

Distributor Discount Code **GK**



FILLER PLATES: For extension of the stop to provide a proper mounting surface on the underside of the header. See Figure 1B.

FOR 8-3/4" (222mm) SINGLE EMLOCK MODELS

GK

1581, 1581DEV

PART #	A x B	LIST
FP01	1/8" x 1-1/4" (3 x 32mm)	33.00
FP02	1/4" x 1-1/4" (6 x 32mm)	36.00
FP03	3/8" x 1-1/4" (10 x 32mm)	38.00
FP04	1/2" x 1-1/4" (13 x 32mm)	40.00
FP05	5/8" x 1-1/4" (16 x 32mm)	40.00

FOR 11" (279mm) SINGLE EMLOCK MODELS

1511 1571 1511S 1511DEV 1581S
1513 1573 1511T 1571DEV

PART #	A x B	LIST
FP11	1/8" x 1-1/4" (3 x 32mm)	37.00
FP12	1/4" x 1-1/4" (6 x 32mm)	38.00
FP13	3/8" x 1-1/4" (10 x 32mm)	38.00
FP14	1/2" x 1-1/4" (13 x 32mm)	42.00
FP15	5/8" x 1-1/4" (16 x 32mm)	44.00

FOR 17-1/2" (445mm) DOUBLE EMLOCK MODEL

1582

PART #	A x B	LIST
FP30	1/8" x 1-1/4" (3 x 32mm)	42.00
FP31	1/4" x 1-1/4" (6 x 32mm)	44.00
FP32	3/8" x 1-1/4" (10 x 32mm)	46.00
FP33	1/2" x 1-1/4" (13 x 32mm)	48.00
FP34	5/8" x 1-1/4" (16 x 32mm)	50.00

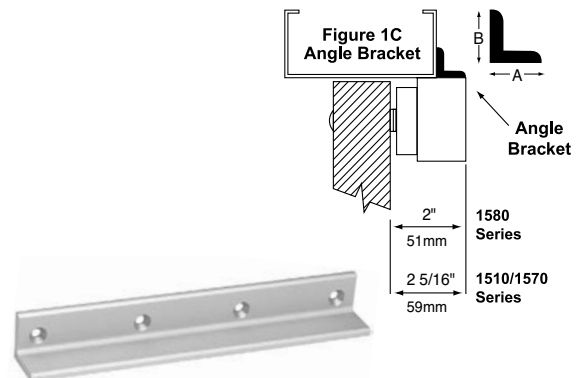
FOR 22" (559mm) DOUBLE EMLOCK MODELS

1512 1572

PART #	A x B	LIST
FP21	1/8" x 1-1/4" (3 x 32mm)	42.00
FP22	1/4" x 1-1/4" (6 x 32mm)	44.00
FP23	3/8" x 1-1/4" (10 x 32mm)	46.00
FP24	1/2" x 1-1/4" (13 x 32mm)	48.00
FP25	5/8" x 1-1/4" (16 x 32mm)	50.00

Angle Brackets

Distributor Discount Code **GK**



ANGLE BRACKETS: Used as extension on shallow door frames to provide adequate mounting surface. See Figure 1C.

FOR 8-3/4" (222mm) SINGLE EMLOCK MODELS

GK

1581, 1581DEV

PART #	A x B	LIST
AB01	1" x 1" (25 x 25mm)	42.00
AB02	1" x 1-1/2" (25 x 38mm)	44.00
AB03	1-1/2" x 1-1/2" (38 x 38mm)	46.00
AB04	2" x 1-1/2" (51 x 38mm)	48.00

FOR 11" (279mm) SINGLE EMLOCK MODELS

1511 1571 1511S 1511DEV 1581S
1513 1573 1511T 1571DEV

PART #	A x B	LIST
AB11	1" x 1" (25 x 25mm)	44.00
AB12	1" x 1-1/2" (25 x 38mm)	46.00
AB13	1-1/2" x 1-1/2" (38 x 38mm)	48.00
AB14	2" x 1-1/2" (51 x 38mm)	50.00

FOR 17-1/2" (445mm) DOUBLE EMLOCK MODEL

1582

PART #	A x B	LIST
AB30	1" x 1" (25 x 25mm)	54.00
AB31	1" x 1-1/2" (25 x 38mm)	58.00
AB32	1-1/2" x 1-1/2" (38 x 38mm)	63.00
AB33	2" x 1-1/2" (51 x 38mm)	67.00

FOR 22" (559mm) DOUBLE EMLOCK MODELS

1512 1572

PART #	A x B	LIST
AB21	1" x 1" (25 x 25mm)	54.00
AB22	1" x 1-1/2" (25 x 38mm)	58.00
AB23	1-1/2" x 1-1/2" (38 x 38mm)	63.00
AB24	2" x 1-1/2" (51 x 38mm)	67.00

SPECIFY FINISH

Add to List

	Single EmLock	Double EmLock
V 628 Aluminum (standard)	N/C	N/C
Y 335 Black Anodized	33.00	65.00
Powder Coat Finishes (a coating electrostatically applied to form a hard finish, that is tougher than conventional paint)		
X Dark Bronze Powder Coat Painted	33.00	65.00
C Brass Powder Coat Painted	33.00	65.00
Plated Finishes - Special order, no cancellation, no returns		
P 625 Bright Chrome	33.00	65.00
Q 626 Dull Chrome	33.00	65.00