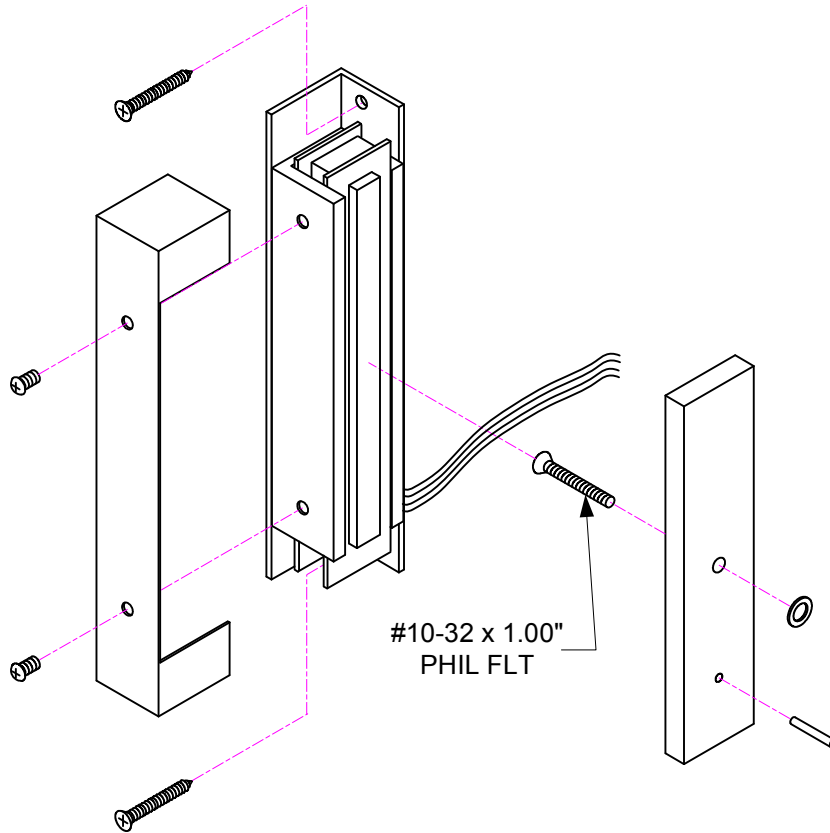


SDC Security Door Controls

801 Avenida Acaso, Camarillo, Ca. 93012 • (805) 494-0622 •
 www.sdcsecurity.com • E-mail: service@sdsecurity.com

INSTALLATION INSTRUCTIONS CABINET LOCK 1583



Wire per drawing below depending on Voltage.
 24VDC - .25 Amp
 12VDC - .45 Amp

