



45-A

The **SDC 45 Series** electric strike is designed for use with locksets having up to 3/4" latchbolts. The compact low profile design with an internally mounted solenoid and mounting tabs enable quick and easy installation where jamb space is limited. **UL Listing pending**

- For 5/8" latch or 3/4" latch with 1/8" gap
- **Latch bolt monitor standard**
- **Keeper closed and deadlocked standard**
- Field selectable failsecure - failsafe
- Field selectable voltage, 12/24V AC/DC
- 1/4" Horizontal alignment adjustment
- Low profile, 1-3/16" deep
- Plug-in wire connectors
- Mounting tabs
- All stainless steel parts with durable die cast body for corrosion resistance
- Fewer moving parts for maximum life
- 630 stainless steel standard
- ANSI A156.31 compliant

SPECIFICATIONS

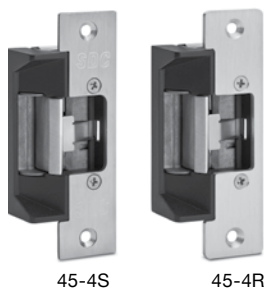
Dual Voltage	280/140mA @ 12/24V DC, 170/85mA @ 12/24V AC
Latch Status	SPDT, Dry 3Amp @ 30V (standard)
Keeper Closed/Deadlocked	SPDT, Dry 3Amp @ 30V (standard)
Keeper Open Closed Status	SPDT, Dry 3Amp @ 30V (optional - K option)

SPECIFY MODEL

List

MODEL

45-A	Included: One 4.875" square corner faceplate. <i>Stainless steel finish standard*</i> One 4.875" radius corner faceplate. <i>Aluminum finish standard*</i> One 7.9375" radius corner faceplate. <i>Aluminum finish standard*</i>	187.00
45-4S	4.875" x 1.25" (124x32mm) square corner faceplate. <i>Stainless steel finish standard*</i>	158.00
45-4R	4.875" x 1.25" (124x32mm) radius corner faceplate. <i>Aluminum finish standard*</i>	162.00
45-6R	6.875" x 1.25" (175x32mm) radius corner faceplate. <i>Aluminum finish standard*</i>	166.00
45-7R	7.937" x 1.438" (202x36.5mm) radius corner faceplate. <i>Aluminum finish standard*</i>	171.00



45-4S

45-4R



45-6R

45-7R

SPECIFY FINISH

Add to List

Square Corner Faceplate

U	630 Dull stainless Steel (std)	N/C
H	613 Oil Rubbed Bronze	26.00
D	606 Dull Brass	26.00

Radius Corner Faceplate

V	628 Dull Aluminum (std)	N/C
Y	335 Black Anodized	26.00
45-A	Special Finish	78.00

OPTIONS

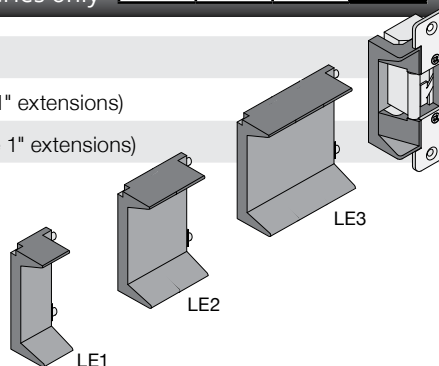
Add to List

K	Keeper open/closed status	40.00	RMB	Buzzer 12/24V AC/DC operation	42.00
----------	---------------------------	--------------	------------	-------------------------------	--------------

SPECIFY LIP EXTENSION KIT for 45 Series only

Add to List

LE1	1" Lip Extension Kit	32.00
LE2	2" Lip Extension Kit (Includes two 1" extensions)	63.00
LE3	3" Lip Extension Kit (Includes three 1" extensions)	94.00



SDC
SECURITY DOOR CONTROLS
 801 Avenida Acaso • Camarillo, CA 93012
 Email: Service@sdsecurity.com • www.sdsecurity.com

Price List Effective February 1, 2017