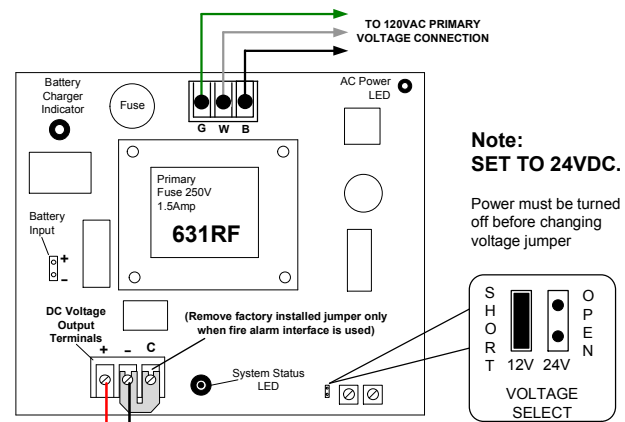


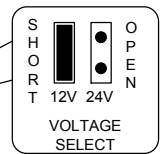
CBP-M Series – System Components:

- (1) 631RFXUR1 – 1A Power Supply w/ Comm. Bath Controller
- (1) CB402-A – Activation Button
- (2) CB402-B – Emergency Release Button
- (2) Z7850LQDE or Z7850LQDG – Electrified Mortise Lock w/ DPS, Eclipse or Galaxy Lever
- (2) PTH-4Q – 4.5"x4.5" Power Transfer Hinge

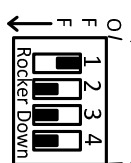


Note:
SET TO 24VDC.

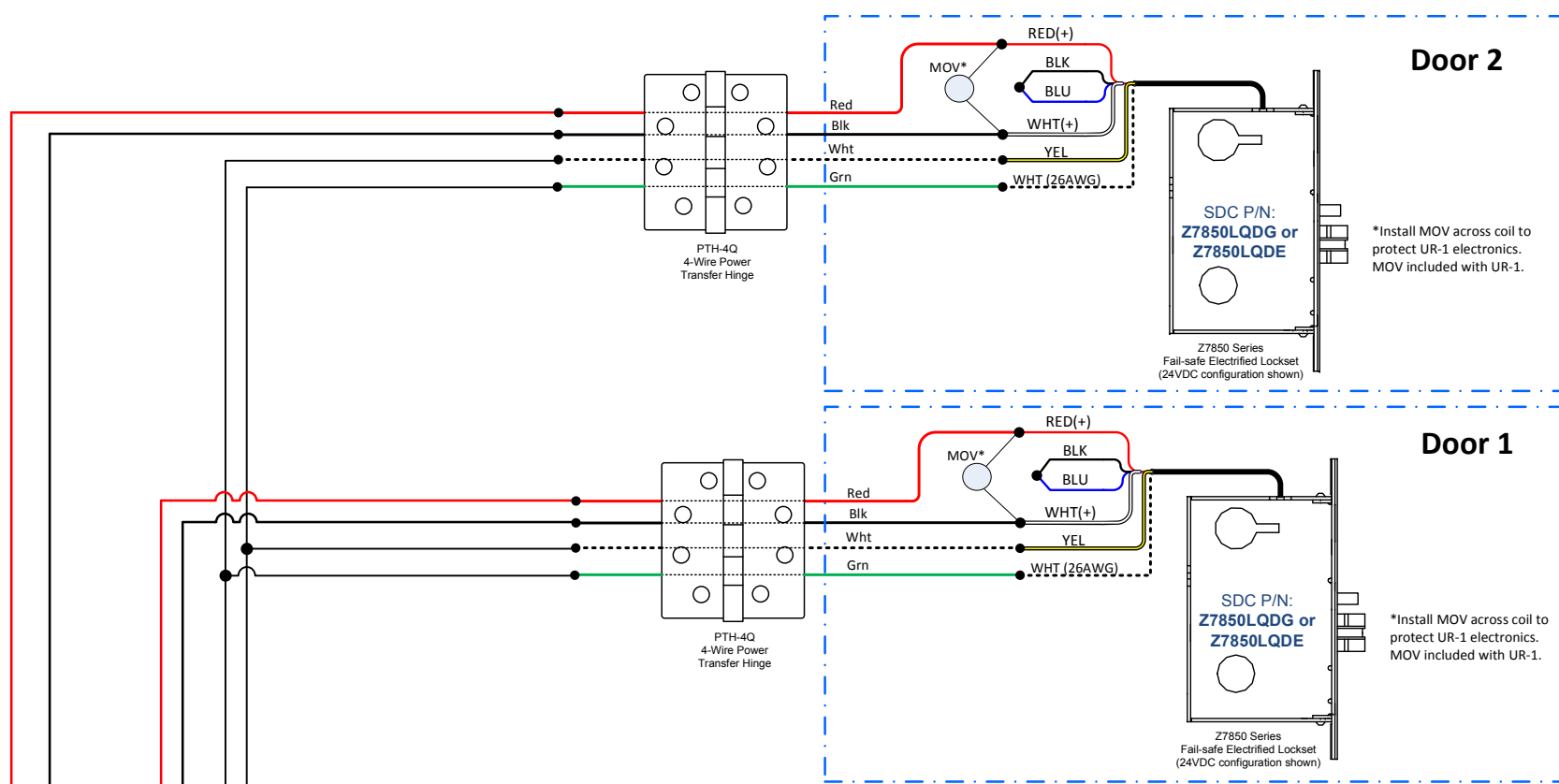
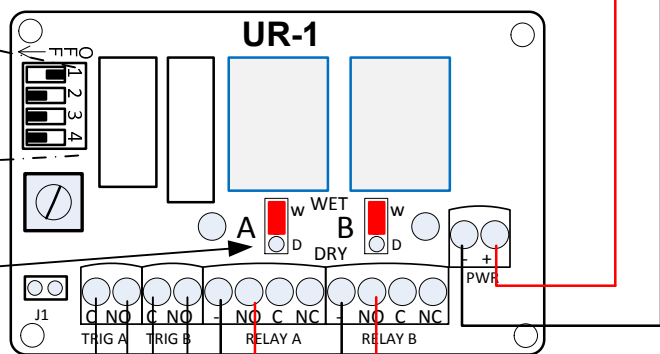
Power must be turned off before changing voltage jumper



ROCKER SWITCH SETTINGS:
SWITCH #1 IS ON
ALL OTHER SWITCHES OFF



WET/DRY SELECTION JUMPERS:
Both "A" & "B" set to WET



*Install MOV across coil to protect UR-1 electronics. MOV included with UR-1.

*Install MOV across coil to protect UR-1 electronics. MOV included with UR-1.

Method of Operation:

Both doors are normally closed and unlocked.

System Activation:

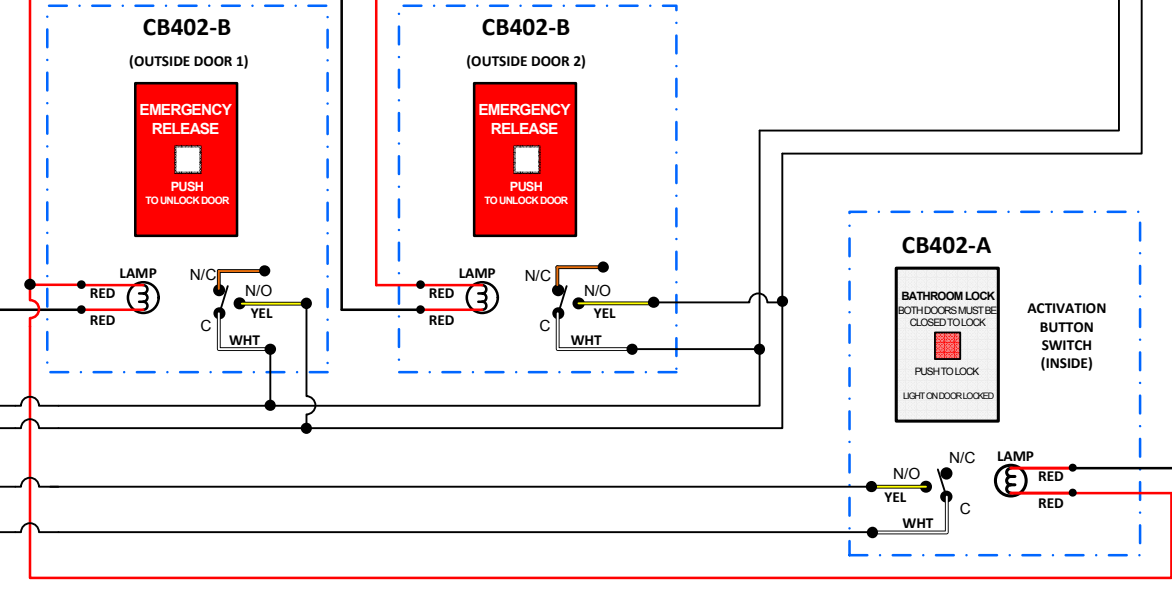
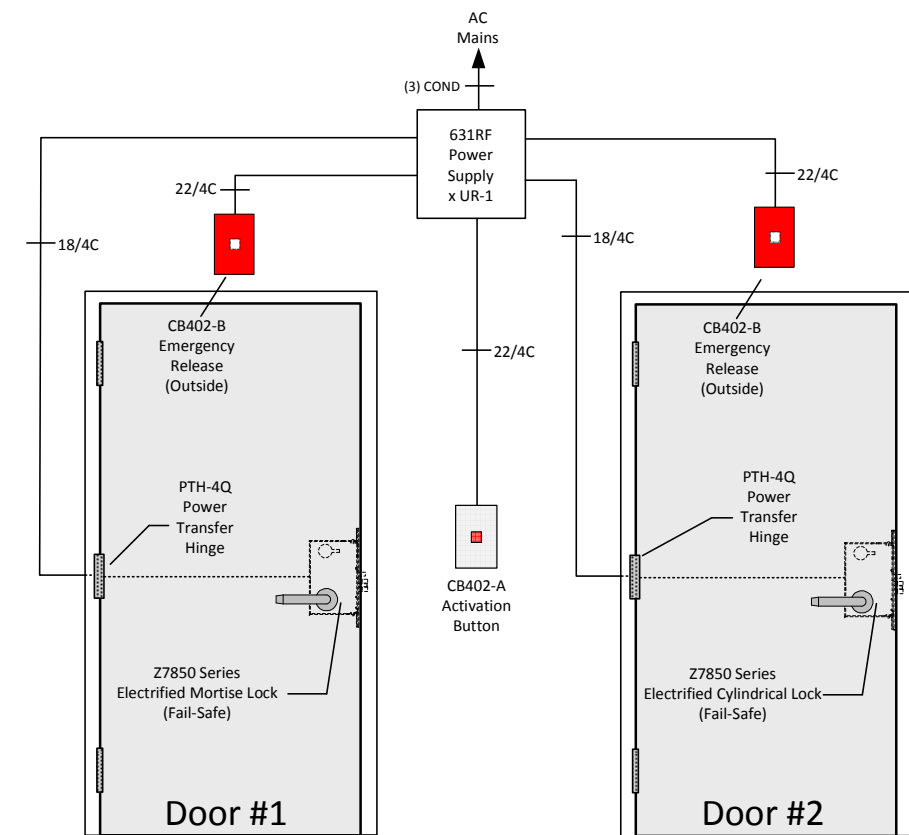
Upon entering the bathroom and closing both doors, momentarily pressing the Activation Button will lock both doors and turn ON the indicator lamps on the Activation and Emergency Release Buttons, indicating the system is active.

System Deactivation:

Operating the inside lever & opening either door will unlock both doors and turn off all indicator lamps. Using a key override from the outside to enter either door will also reset the system and unlock both doors.

Emergency Override:

Momentarily pressing either Emergency Release Button located outside each door will immediately unlock both doors and reset the system.



© 2017 Security Door Controls Printed in U.S.A



Security Door Controls
801 Avenida Acaso
Camarillo, CA 93012
f 805.494.0622 ~ f 805.494.8861
www.sdcsecurity.com

NOTE: ALL WIRING MUST BE REVIEWED AND APPROVED BY THE PROJECT ENGINEER ASSIGNED TO THE LOCATION FOR ITS CORRECTNESS AND SUITABILITY FOR THE APPLICATION IN THE WHICH THE EQUIPMENT IS INSTALLED AND OPERATED. ALL WIRING MUST CONFORM TO NATIONAL, STATE, AND LOCAL CODES FOR CLASS 2 FIRE PROTECTION AND CONTROL DEVICES.

PROJECT NAME:	---	TITLE:	2-Door Communicating Bath System – Electrified Mortise Solution		SO NO.:	-	REV	-	
LOCATION.:	---	DIST.:	-	CONTACT:	service@sdsecurity.com	DATE:	06/17	DRAWN BY:	-
						DWG. NO.:	-	Page 2 of 3	