

# Excel™ E300 Micro Cabinet Lock

SDC DESIGNED AND MANUFACTURED

Eliminate keys and expand the reach of access control systems to drawers, cabinets and lockers – any critical use - where the application of a compact, specialized electromagnetic lock provides a higher level of security. SDC's E300 is a connected access control solution that is virtually maintenance free and has a lock status output for remote monitoring and system application needs.



## MODEL

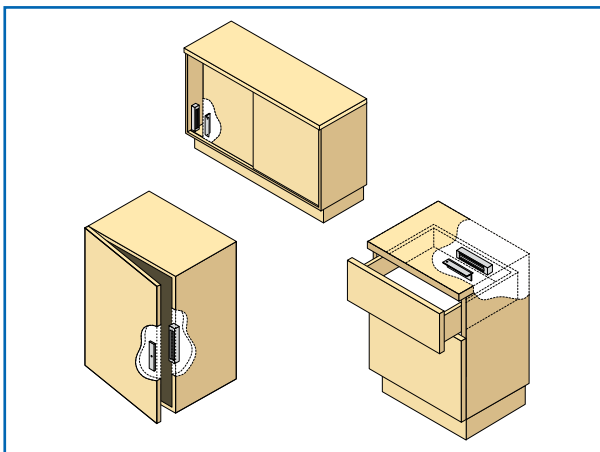
**E300** Magnetic Lock  
300lbs. holding force

## FEATURES

- Failsafe Operation
- Easy installation in small cabinets or restricted spaces. No special tools are required.
- No moving parts, virtually maintenance free.
- Spike and surge protection for solid-state devices on same line.
- Lock Status
- Interlocking Quick Mount Assembly
- Mounting Bracket with Sheet Metal Screws
- Wire Access Chamber with Terminal Block
- Dual Voltage 12/24VDC
- 628 Clear Anodized Aluminum housing

## APPLICATIONS

Cabinets	Display cases
Drawers	Gun safes
Machine equipment housings	Package pass through doors



## SPECIFICATIONS

### MECHANICAL

<b>Holding Force</b>	300 Lbs/136 Kg
<b>Lock</b>	7" L x 1.625" H x 0.875" D;
<b>Armature</b>	5.125" L x 1.25" H x 0.3125" D;

### ELECTRICAL

<b>Circuitry &amp; Wiring</b>	PC board with voltage and current spike protection, instant release anti-residual magnetism circuit, terminal block for power input
<b>Voltage</b>	Dual 12/24VDC +/-10%, field selectable jumper pin connections
<b>Current</b>	360 mA @ 12VDC; 180 mA @ 24VDC
<b>Lock Status Contact</b>	SPDT, 250 mA @ 30VDC

