

EH Series

Magnetic Door Holder & Releasing Device

SDC EH Series Magnetic Door Holders, are designed to hold doors open and release the door by remote switch or fire life safety command center activation. Primary application includes holding and releasing of fire rated doors that are required to provide a barrier for fire and smoke in an emergency or the convenience of door closure by remote control.

- Field Selectable High Holding Force, 75 or 110lbs
- For Self Closing Fire & Smoke Barrier Doors
- Door Released & Closed Upon Power Loss or Fire Life Safety System Activation



FEATURES

- **Choice of 25, 30, 35 or 40lbs holding force**
Determined by units specified voltage
- **Very low power consumption**
Reduced power supply requirements & energy costs
15mA, 20mA or 40mA (see performance data)
- **High Holding Force standard***
Reduces stock or need to special order high holding force. Determined by field selected voltage input
*Not available with 24/220V units
- **Choice of 3 dual AC/DC voltages**
 - ▶ **1224 Voltage Inputs**
12V/30lbs; 24V/30lbs; Apply 24V to 12V input for 75lbs
 - ▶ **24120 Voltage Input**
24V/40lbs; 120V/35lbs; Apply 120V to 24V input for 110lbs
 - ▶ **24220 Voltage Inputs**
24V/40lbs; 220V/25lbs. *High holding force not available
- **Screw terminal block input connections**
No wire nuts or pigtails for simple and neat wiring.
- **Innovative installation**
Eliminates need for secondary alignment adjustments
- **Self aligning catch plate & adjustable magnet centerline**
Ball pivot assembly enables full plate contact and holding force. Optional adjustable rod compensate for extreme misalignment up to 4 inches. Slotted mounting holes enable adjustment of magnet centerline.

MODELS

Choice of 5 Durable Die Cast Models

- EH10** Flush Mount
- EH20** Semi-Flush Mount
- EH30** Surface Mount
- EH40** Floor Mount
- EH42** Double Floor Mount






HOW TO ORDER



1| SPECIFY MODELS

-  **EH10** Flush Mount
-  **EH20** Semi-Flush Mount
-  **EH30** Surface Mount
- EH40** Floor Mount, Single
- EH42** Floor Mount, Double

3| SPECIFY FINISH

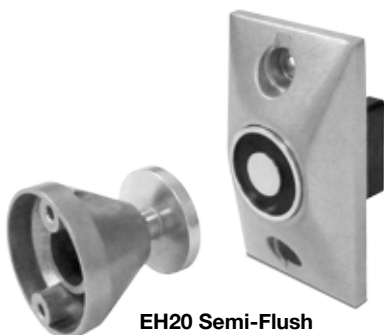
-  **A** Chrome Powder Coat
- P** 625 Chrome Plated
- C** 605 Brass Plated

2| SPECIFY VOLTAGE

-  **1224** 12/24VAC/DC
-  **24120** 24VAC/DC/120VAC
- 24220** 24VAC/DC/220VAC



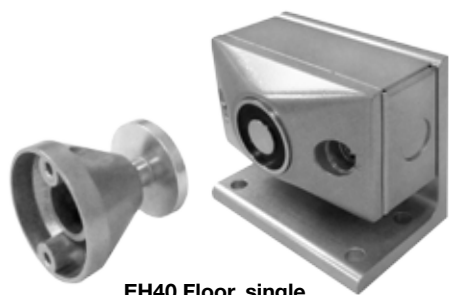
EH10 Flush



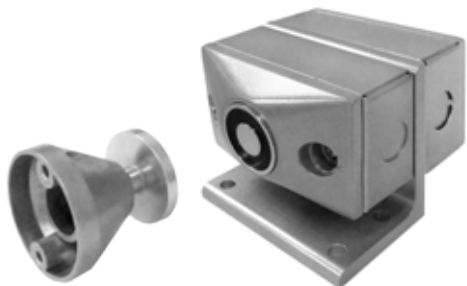
EH20 Semi-Flush



EH30 Surface



EH40 Floor, single



SPECIFICATIONS

Materials	Zinc Alloy
Voltage	Standard dual voltage AC or DC inputs of 12 & 24V, 24 & 120V, 24 & 220V models
Holding Force	Typical holding force of 25-40 pounds; performance value can be increased to 75 lbs or 110 lbs on special applications (see performance data)
Mount	Single or double coil floor, surface, flush, or recessed mount
Total Projection	Flush mount: 2-11/32" Semi-flush mount: 3-1/16" Surface mount: 4-5/8" Floor mount (single door): 5" Floor mount (double door): 9-5/8"
Fasteners	Hardware package, mounting bracket
Notes	Optional aluminum extension and misalignment rods available Drill fixture available Replacement catch plate and catch plate assembly available Adhesive template included

PERFORMANCE DATA

Model	Voltage	DC/mA	AC/mA	Terminals	LB.	KG.
1224	12V	40	38	C&L	30	13.6
	24V	40	36	C&H	30	13.6
24120	24V	20	19	C&L	40	18.1
	120V	—	20	C&H	35	15.8
24220	24V	20	19	C&L	40	18.1
	220V	—	15	C&H	25	11.3

HIGH HOLDING FORCE / SPECIAL APPLICATIONS

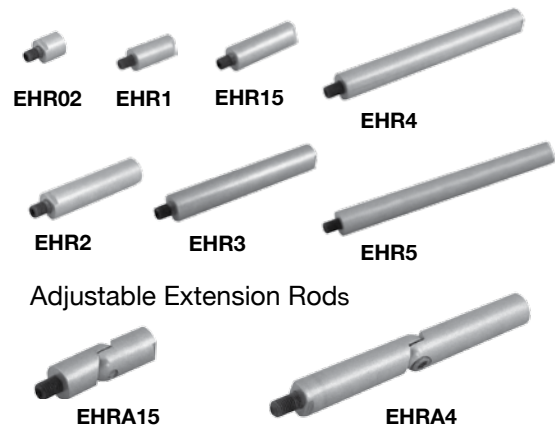
Model	Voltage	DC/mA	AC/mA	Terminals	LB.	KG.
1224	24V	85	81	C&L	75	34.0
24120	120V	—	100	C&L	110	49.8

To obtain performance values in high holding force table above apply high listed voltage to low voltage terminals (C & L). NOTE: This configuration can only be applied to models 1224 & 24120.

ACCESSORIES

EXTENSION RODS:

Extensions Rod(s) may be required to ensure proper installation by providing increased reach for the Armature Catch Plate. Adjustable Extension Rods provide increased operational alignment where needed to ensure the best door holder operation and performance.



HOW TO ORDER

1| SPECIFY MODELS

Extension Rod

Refer to Figure A to determine correct rod length for each individual openings installation and adjustability requirements

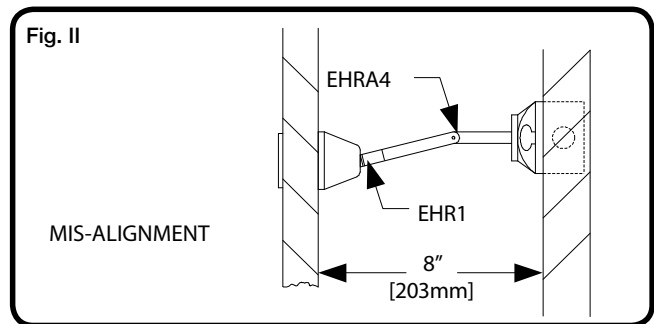
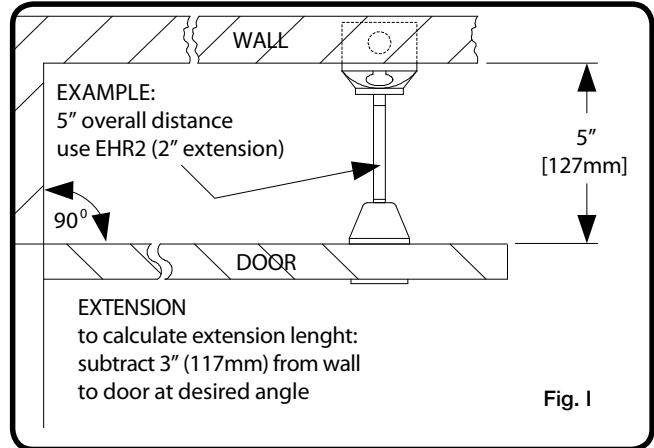
- EHR02** 1/2" Extension Rod
- EHR1** 1" Extension Rod
- EHR15** 1 1/2" Extension Rod
- EHR2** 2" Extension Rod
- EHR3** 3" Extension Rod
- EHR4** 4" Extension Rod
- EHR5** 5" Extension Rod

Adjustable Extension Rods

- EHRA15** 1-1/2" Adjustable Extension Rod
- EHRA4** 4" Adjustable Extension Rod

2| SPECIFY FINISH

- A** Chrome Powder Coat
- P** 625 Chrome Plated
- C** 605 Brass Plated



HOW TO DETERMINE EXTENSION ROD & ADJUSTABLE ROD LENGTH

Extensions Rod Application: Refer to Fig. I for Aligned Catch Plate and Door Holder

Adjustable Rod Application:

Refer to Fig. II for Misaligned Catch Plate and Door Holder

1. Hold door open at desired position.
2. Measure distance between door and wall.
3. Subtract below dimension indicated for door holder style

Flush Mount: Subtract 3" from measured distance to determine minimum rod length.

Recessed Mount: Subtract 2-3/8" from measured distance to determine minimum rod length.

Surface Mount: Subtract 4-5/8" from measured distance to determine minimum rod length.

 ACCESSORIES



EHBB SURFACE BACK BOX
2-25/32" x 4-7/8" x 1-1/2"
Supplied with EH30, EH40, EH42



EHDF DRILLING FIXTURE
Attach to door for quick and accurate hole location



EHCP CATCH PLATE
Replacement for the catch plate assembly



EHW EXTENSION WRENCHES
Used to tighten extension rods to catch plate assembly



EHSB CATCH PLATE ASSEMBLY
Swivel design allows catch disc to move in all directions to assist with slight misalignment issues