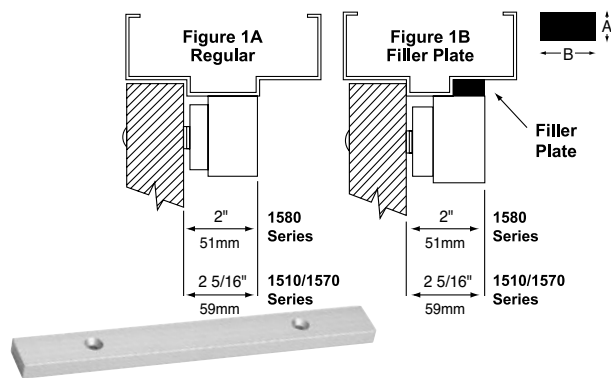


Filler Plates

Distributor Discount Code **GK**



FILLER PLATES: For extension of the stop to provide a proper mounting surface on the underside of the header. See Figure 1B.

FOR 8-3/4" (222mm) SINGLE EMLOCK MODELS

1581, 1581DEV

| PART # | A x B | LIST |
|--------|---------------------------|-------|
| FP01 | 1/8" x 1-1/4" (3 x 32mm) | 32.00 |
| FP02 | 1/4" x 1-1/4" (6 x 32mm) | 34.00 |
| FP03 | 3/8" x 1-1/4" (10 x 32mm) | 36.00 |
| FP04 | 1/2" x 1-1/4" (13 x 32mm) | 38.00 |
| FP05 | 5/8" x 1-1/4" (16 x 32mm) | 38.00 |

FOR 11" (279mm) SINGLE EMLOCK MODELS

1511 1571 1511S 1511DEV 1581S
1513 1573 1511T 1571DEV

| PART # | A x B | LIST |
|--------|---------------------------|-------|
| FP11 | 1/8" x 1-1/4" (3 x 32mm) | 35.00 |
| FP12 | 1/4" x 1-1/4" (6 x 32mm) | 36.00 |
| FP13 | 3/8" x 1-1/4" (10 x 32mm) | 36.00 |
| FP14 | 1/2" x 1-1/4" (13 x 32mm) | 40.00 |
| FP15 | 5/8" x 1-1/4" (16 x 32mm) | 42.00 |

FOR 17-1/2" (445mm) DOUBLE EMLOCK MODEL

1582

| PART # | A x B | LIST |
|--------|---------------------------|-------|
| FP30 | 1/8" x 1-1/4" (3 x 32mm) | 40.00 |
| FP31 | 1/4" x 1-1/4" (6 x 32mm) | 42.00 |
| FP32 | 3/8" x 1-1/4" (10 x 32mm) | 44.00 |
| FP33 | 1/2" x 1-1/4" (13 x 32mm) | 46.00 |
| FP34 | 5/8" x 1-1/4" (16 x 32mm) | 48.00 |

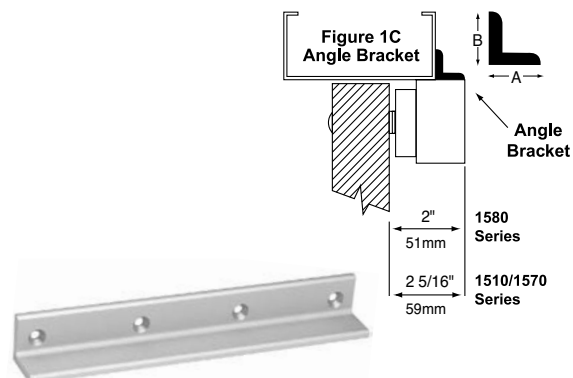
FOR 22" (559mm) DOUBLE EMLOCK MODELS

1512 1572

| PART # | A x B | LIST |
|--------|---------------------------|-------|
| FP21 | 1/8" x 1-1/4" (3 x 32mm) | 40.00 |
| FP22 | 1/4" x 1-1/4" (6 x 32mm) | 42.00 |
| FP23 | 3/8" x 1-1/4" (10 x 32mm) | 44.00 |
| FP24 | 1/2" x 1-1/4" (13 x 32mm) | 46.00 |
| FP25 | 5/8" x 1-1/4" (16 x 32mm) | 48.00 |

Angle Brackets

Distributor Discount Code **GK**



ANGLE BRACKETS: Used as extension on shallow door frames to provide adequate mounting surface. See Figure 1C.

FOR 8-3/4" (222mm) SINGLE EMLOCK MODELS

1581, 1581DEV

| PART # | A x B | LIST |
|--------|-----------------------------|-------|
| AB01 | 1" x 1" (25 x 25mm) | 40.00 |
| AB02 | 1" x 1-1/2" (25 x 38mm) | 42.00 |
| AB03 | 1-1/2" x 1-1/2" (38 x 38mm) | 44.00 |
| AB04 | 2" x 1-1/2" (51 x 38mm) | 46.00 |

FOR 11" (279mm) SINGLE EMLOCK MODELS

1511 1571 1511S 1511DEV 1581S
1513 1573 1511T 1571DEV

| PART # | A x B | LIST |
|--------|-----------------------------|-------|
| AB11 | 1" x 1" (25 x 25mm) | 42.00 |
| AB12 | 1" x 1-1/2" (25 x 38mm) | 44.00 |
| AB13 | 1-1/2" x 1-1/2" (38 x 38mm) | 46.00 |
| AB14 | 2" x 1-1/2" (51 x 38mm) | 48.00 |

FOR 17-1/2" (445mm) DOUBLE EMLOCK MODEL

1582

| PART # | A x B | LIST |
|--------|-----------------------------|-------|
| AB30 | 1" x 1" (25 x 25mm) | 52.00 |
| AB31 | 1" x 1-1/2" (25 x 38mm) | 56.00 |
| AB32 | 1-1/2" x 1-1/2" (38 x 38mm) | 61.00 |
| AB33 | 2" x 1-1/2" (51 x 38mm) | 65.00 |

FOR 22" (559mm) DOUBLE EMLOCK MODELS

1512 1572

| PART # | A x B | LIST |
|--------|-----------------------------|-------|
| AB21 | 1" x 1" (25 x 25mm) | 52.00 |
| AB22 | 1" x 1-1/2" (25 x 38mm) | 56.00 |
| AB23 | 1-1/2" x 1-1/2" (38 x 38mm) | 61.00 |
| AB24 | 2" x 1-1/2" (51 x 38mm) | 65.00 |

SPECIFY FINISH

Add to List

| | Single EmLock | Double EmLock |
|--|---------------|---------------|
| V 628 Aluminum (standard) | N/C | N/C |
| Y 335 Black Anodized | 32.00 | 63.00 |
| Powder Coat Finishes (a coating electrostatically applied to form a hard finish, that is tougher than conventional paint) | | |
| X Dark Bronze Powder Coat Painted | 32.00 | 63.00 |
| C Brass Powder Coat Painted | 32.00 | 63.00 |
| Plated Finishes - Special order, no cancellation, no returns | | |
| P 625 Bright Chrome | 32.00 | 63.00 |
| Q 626 Dull Chrome | 32.00 | 63.00 |