



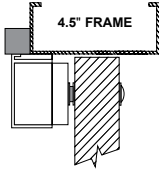
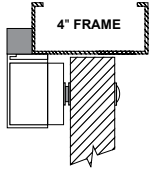
UNIVERSAL HEADER BRACKET

Distributor Discount Code **GK LIST**

Used in lieu of angle brackets, the Universal Header Bracket provides a faster mounting solution, saving time and labor costs for several EmLock® models. Reduce potential for mis-sized and misaligned mounting holes, broken taps, removal of broken taps. Combined with interlocking E-Z mount assembly, save up to a half day's labor with the installation of 12 locks.

Features

- Solid 1" bar provides higher security and superior aesthetics.
- Machined wire chase provides concealed and secure wiring
- Multiple pre-drilled and tapped mounting holes to accommodate the use of several different locks on either 4" or 4.5" aluminum frames



UB11V Bracket for 1511, 1513, 1571. 1" x 1" x 11" **64.00**

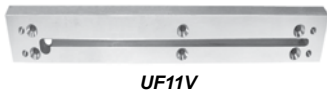
UB12V Bracket for 1512, 1572. 1" x 1" x 22" **128.00**

See special finishes **49**



ALUMINUM SPACER BRACKET & CONCRETE FILLED FRAME PLATE - PRE-DRILLED & TAPPED

Distributor Discount Code **GK LIST**



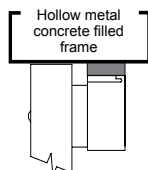
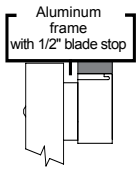
UF11V

Application

- Aluminum frames with blade stop - lowers EmLock® below blade stop
- Concrete filled hollow metal frames - provides multiple points for concealed wire entry

Features

- Pre-drilled and tapped specifically for 1510, 1570, 1580 EmLock
- Machined wire chase provides multiple points for concealed wire entry from concrete filled frames.



UF11V Bracket for 1511, 1513, 1571, 1573. 1/2" x 1-1/2" x 11" **90.00**

UF12V Bracket for 1512 and 1572. 1/2" x 1-1/2" x 22" **112.00**

UF81V Bracket for 1581. 1/2" x 1-1/4" x 8-3/4" **72.00**

UF82V Bracket for 1582. 1/2" x 1-1/4" x 17-1/2" **100.00**



ARMATURE MOUNTING PLATE

Distributor Discount Code **GK LIST**

The AR Mounting plate provides a solution for mounting the EmLock® armature to the top rail of aluminum, glass, wood and hollow metal doors that do not permit the use of thru bolts. Dimension: 8 1/2" x 3"

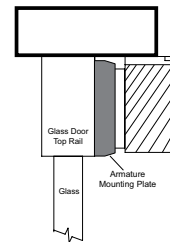
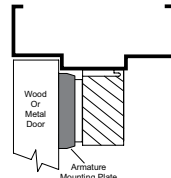
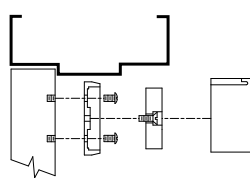


AR11Y

MODEL

AR11Y Armature mounting plate (Black) Specify two for models 1512, 1572 **60.00**

AR11YD Armature mounting plate (black) with door sensor Specify two for models 1512, 1572 **100.00**



DOOR COORDINATOR LOCK MOUNTING KIT

Distributor Discount Code **GK LIST**

DC-1 Door coordinator mounting bracket for single models 1511 and 1571. **120.00**

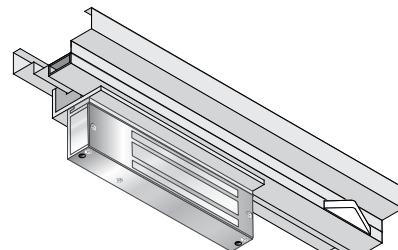
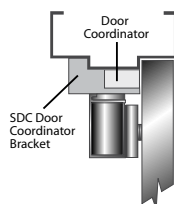
DC-2 Door coordinator mounting bracket for double models 1512 and 1572. **220.00**



DC-1

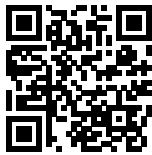


DC-2



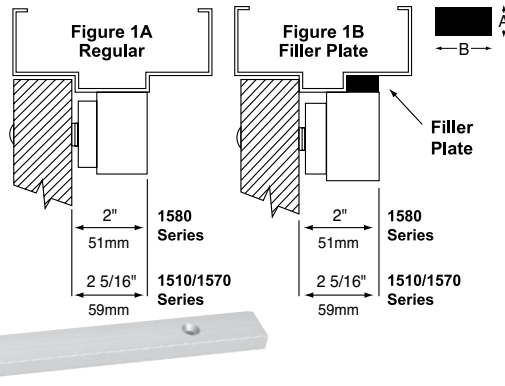
SECURITY DOOR CONTROLS
801 Avenida Acaso • Camarillo, CA 93012
Email: Service@sdsecurity.com • www.sdsecurity.com

Price List Effective October 1, 2012



FILLER PLATES

Distributor Discount Code **GK**



FILLER PLATES: For extension of the stop to provide a proper mounting surface on the underside of the header. See Figure 1B.

FOR 8-3/4" (222mm) SINGLE EMLOCK MODELS

PART #	A x B	LIST
FP01	1/8" x 1-1/4" (3 x 32mm)	30.00
FP02	1/4" x 1-1/4" (6 x 32mm)	32.00
FP03	3/8" x 1-1/4" (10 x 32mm)	34.00
FP04	1/2" x 1-1/4" (13 x 32mm)	36.00
FP05	5/8" x 1-1/4" (16 x 32mm)	36.00

FOR 11" (279mm) SINGLE EMLOCK MODELS

PART #	A x B	LIST
FP11	1/8" x 1-1/4" (3 x 32mm)	33.00
FP12	1/4" x 1-1/4" (6 x 32mm)	34.00
FP13	3/8" x 1-1/4" (10 x 32mm)	34.00
FP14	1/2" x 1-1/4" (13 x 32mm)	38.00
FP15	5/8" x 1-1/4" (16 x 32mm)	40.00

FOR 17-1/2" (445mm) DOUBLE EMLOCK MODEL

PART #	A x B	LIST
FP30	1/8" x 1-1/4" (3 x 32mm)	38.00
FP31	1/4" x 1-1/4" (6 x 32mm)	40.00
FP32	3/8" x 1-1/4" (10 x 32mm)	42.00
FP33	1/2" x 1-1/4" (13 x 32mm)	44.00
FP34	5/8" x 1-1/4" (16 x 32mm)	46.00

FOR 22" (559mm) DOUBLE EMLOCK MODELS

PART #	A x B	LIST
FP21	1/8" x 1-1/4" (3 x 32mm)	38.00
FP22	1/4" x 1-1/4" (6 x 32mm)	40.00
FP23	3/8" x 1-1/4" (10 x 32mm)	42.00
FP24	1/2" x 1-1/4" (13 x 32mm)	44.00
FP25	5/8" x 1-1/4" (16 x 32mm)	46.00

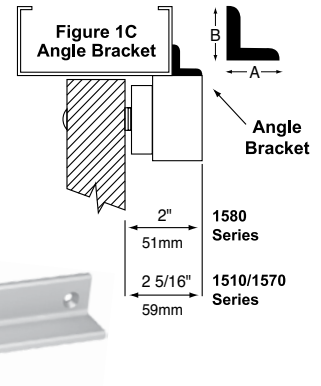
SPECIFY FINISH

	Single EmLock	Double EmLock
V 628 Aluminum (standard)	N/C	N/C
Y 335 Black Anodized	30.00	60.00
Powder Coat Finishes (a coating electrostatically applied to form a hard finish, that is tougher than conventional paint)		
X Dark Bronze Powder Coat Painted (313/613 Equal)	30.00	60.00
C 605 Bright Brass Powder Coat Painted D 606 Dull Brass Powder Coat Painted	30.00	60.00
Plated Finishes - Special order, no cancellation, no returns		
P 625 Bright Chrome Q 626 Dull Chrome	30.00	60.00



ANGLE BRACKETS

Distributor Discount Code **GK**



ANGLE BRACKETS: Used as extension on shallow door frames to provide adequate mounting surface. See Figure 1C.

FOR 8-3/4" (222mm) SINGLE EMLOCK MODELS

PART #	A x B	LIST
AB01	1" x 1" (25 x 25mm)	38.00
AB02	1" x 1-1/2" (25 x 38mm)	40.00
AB03	1-1/2" x 1-1/2" (38 x 38mm)	42.00
AB04	2" x 1-1/2" (51 x 38mm)	44.00

FOR 11" (279mm) SINGLE EMLOCK MODELS

PART #	A x B	LIST
AB11	1" x 1" (25 x 25mm)	40.00
AB12	1" x 1-1/2" (25 x 38mm)	42.00
AB13	1-1/2" x 1-1/2" (38 x 38mm)	44.00
AB14	2" x 1-1/2" (51 x 38mm)	46.00

FOR 17-1/2" (445mm) DOUBLE EMLOCK MODEL

PART #	A x B	LIST
AB30	1" x 1" (25 x 25mm)	50.00
AB31	1" x 1-1/2" (25 x 38mm)	54.00
AB32	1-1/2" x 1-1/2" (38 x 38mm)	58.00
AB33	2" x 1-1/2" (51 x 38mm)	62.00

FOR 22" (559mm) DOUBLE EMLOCK MODELS

PART #	A x B	LIST
AB21	1" x 1" (25 x 25mm)	50.00
AB22	1" x 1-1/2" (25 x 38mm)	54.00
AB23	1-1/2" x 1-1/2" (38 x 38mm)	58.00
AB24	2" x 1-1/2" (51 x 38mm)	62.00

Add to List

