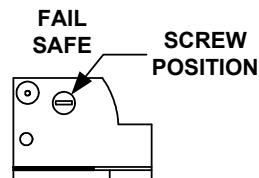
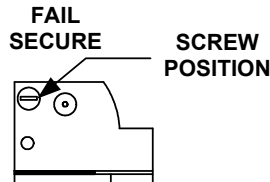
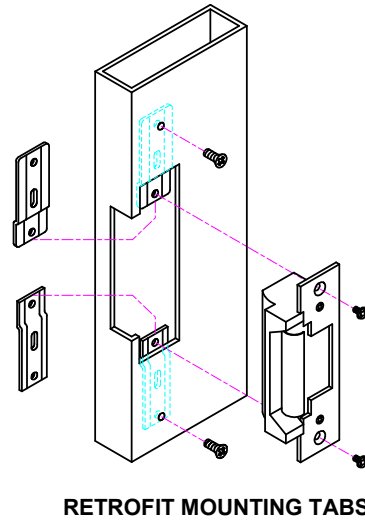
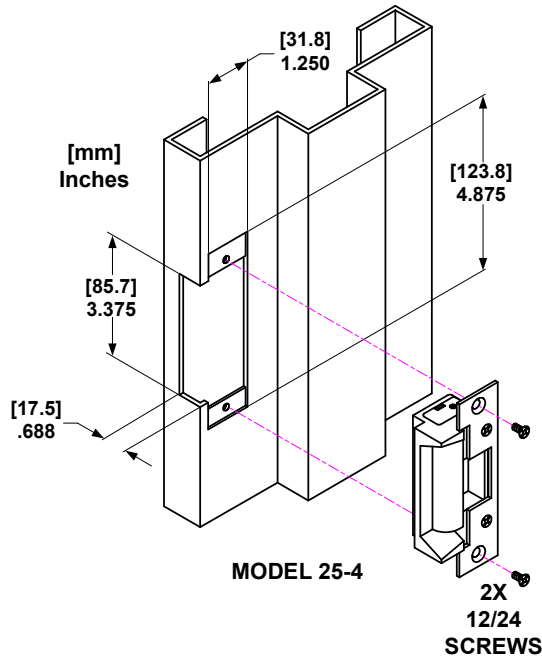


SDC Security Door Controls

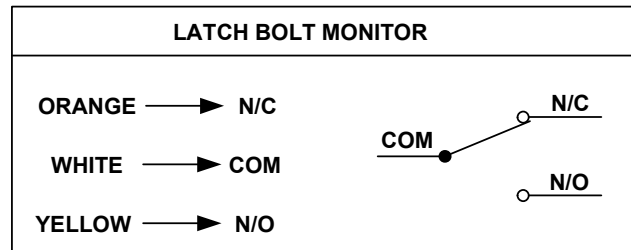
801 Avenida Acaso, Camarillo, Ca. 93012 • (805) 494-0622 • Fax: (805) 494-8861
 www.sdcsecurity.com • E-mail: service@sdsecurity.com

INSTALLATION INSTRUCTIONS 25 SERIES ELECTRIC STRIKE



**ELECTRICAL DATA:
 200/100mA @12/24VDC**

DC12V	DC24V
+ — RED — BLACK - — BLUE — WHITE	+ — RED — BLACK — BLUE - — WHITE



Any suggestions or comments to this instruction or product are welcome. Please contact us through our website or email engineer@sdsecurity.com

• DIMENSION

