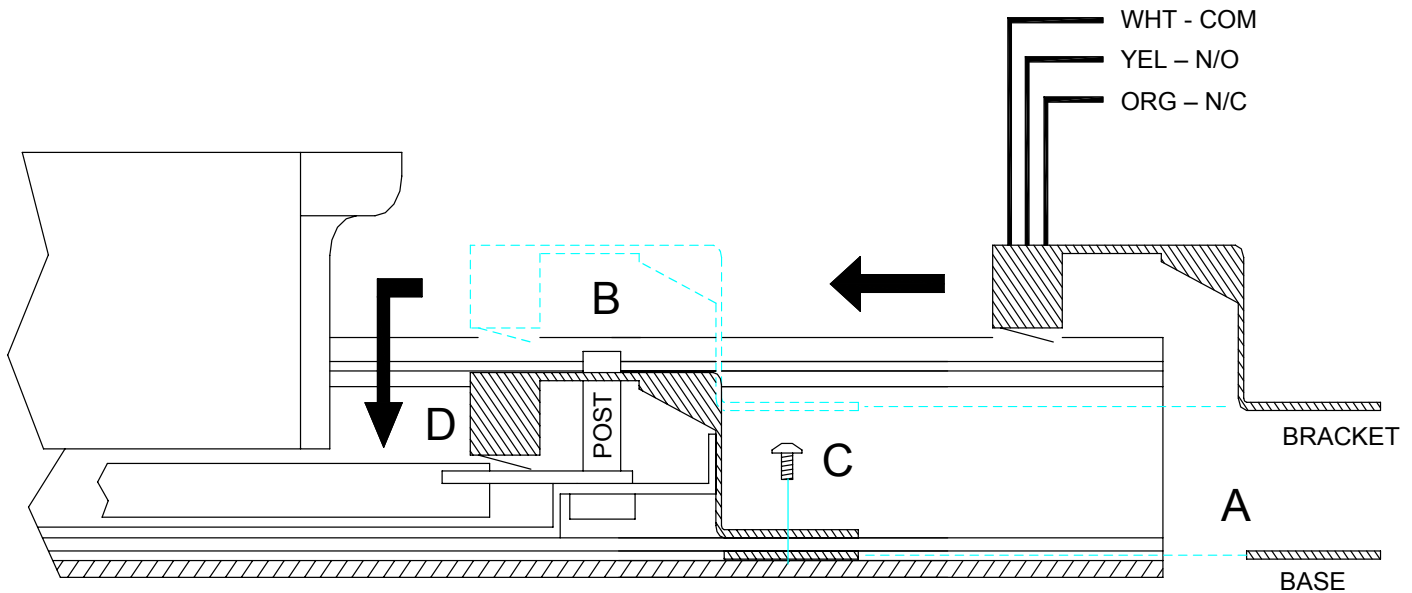


SDC Security Door Controls

801 Avenida Acaso, Camarillo, Ca. 93012 • (805) 494-0622 •
www.sdcsecurity.com • E-mail: service@sdsecurity.com

00510 INSTALLATION INSTRUCTIONS SWITCH KIT (VON DUPRIN 33, 99)



- (A) SLIDE BASE THROUGH SLOT AT BOTTOM OF BAR.
- (B) SLIDE BRACKET OVER DOGGING ASSEMBLY UNTIL SWITCH CLEARS POST.
- (C) DROP AND ALIGN BRACKET OVER BASE SECURING SWITCH ASSEMBLY WITH SCREW PROVIDED.
- (D) MOVE ASSEMBLY FORWARD UNTIL PROPER SWITCH ACTIVATION IS ACHIEVED AND TIGHTEN SCREW.

Applications

Remote Latch Status Monitoring:

Retracting the latch by depressing the push pad provides an output signal for local or remote visual and audible annunciation indicating forced entry or unauthorized egress.

Access Control REX: When connected to the Request-To-Exit input of a keypad, card or biometric Access Controller, depressing the pushpad and retracting the latch actuates the Latch Status contact, shunting the control access control alarm to permit authorized egress and/or releases the magnetic door lock for uninhibited egress.

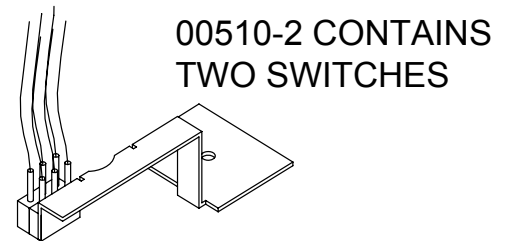
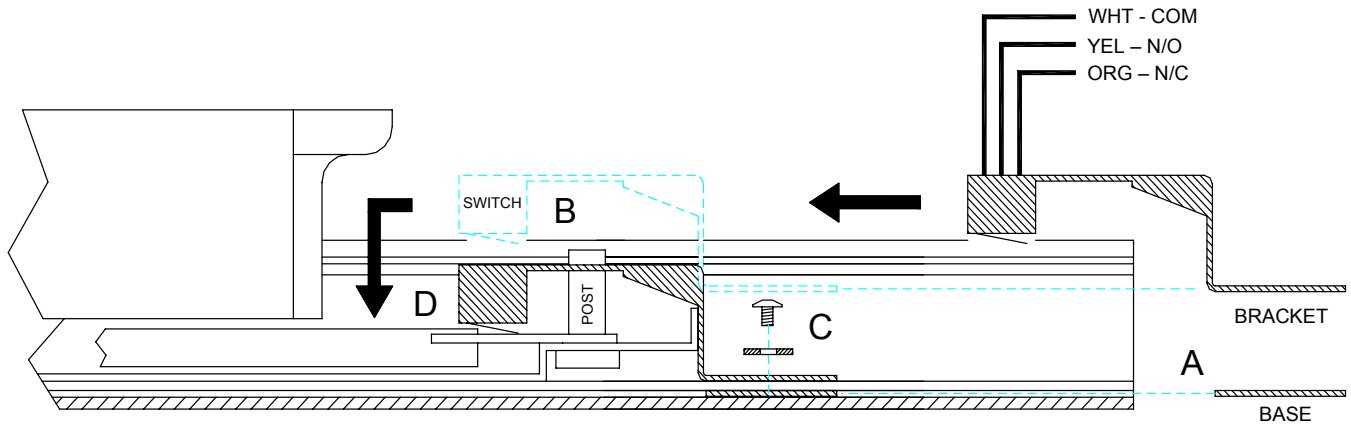
Magnetic Lock Release: Where Access Controller with REX input is unavailable, the N/C contact of the switch is wired in series between the power supply and fail safe magnetic lock. Depressing the exit device pushpad retracts the latch, causing the contact to open, thereby releasing the magnetic lock for uninhibited egress.

Mantrap Logic: Provides N/O and N/C contacts required for 2 or more communicating doors for Interlock and Mantrap applications.

SDC Security Door Controls

801 Avenida Acaso, Camarillo, Ca. 93012 • (805) 494-0622 •
www.sdcsecurity.com • E-mail: service@sdsecurity.com

00510-2 INSTALLATION INSTRUCTIONS DUAL SWITCH KIT (VON DUPRIN 33, 99)



- (A) SLIDE BASE THROUGH SLOT AT BOTTOM OF BAR.
- (B) SLIDE BRACKET OVER DOGGING ASSEMBLY UNTIL SWITCH CLEARS POST.
- (C) DROP AND ALIGN BRACKET OVER BASE SECURING SWITCH ASSEMBLY WITH SCREW PROVIDED.
- (D) MOVE ASSEMBLY FORWARD UNTIL PROPER SWITCH ACTIVATION IS ACHIEVED AND TIGHTEN SCREW.

Applications

Remote Latch Status Monitoring:

Retracting the latch by depressing the pushpad provides an output signal for local or remote visual and audible annunciation indicating forced entry or unauthorized egress.

Access Control REX: When connected to the Request-To-Exit input of a keypad, card or biometric Access Controller, depressing the pushpad and retracting the latch actuates the Latch Status contact, shunting the control access control alarm to permit authorized egress and/or releases the magnetic door lock for uninhibited egress.

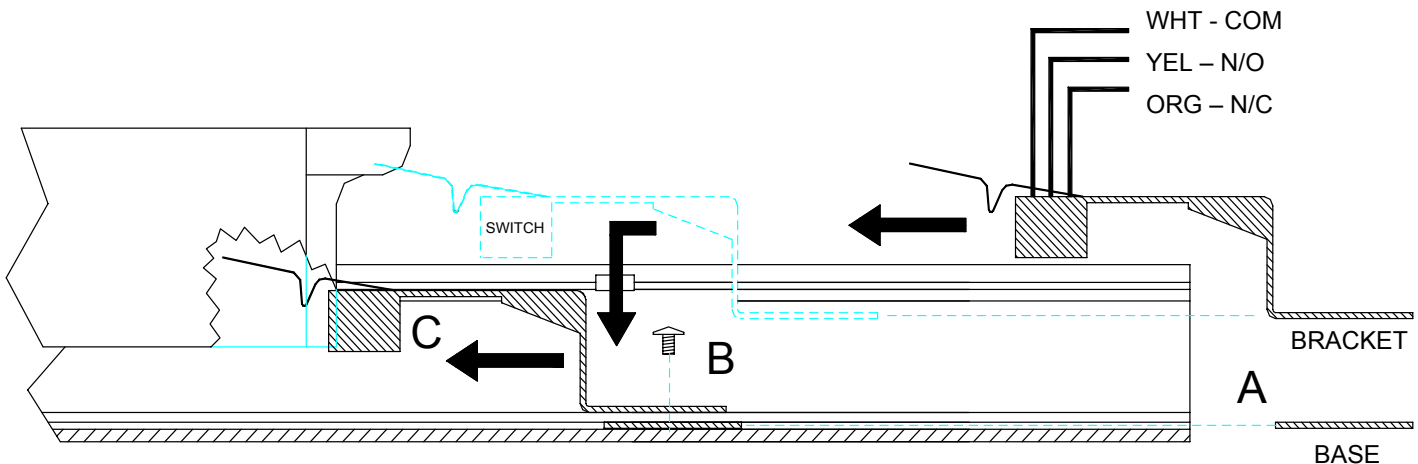
Magnetic Lock Release: Where Access Controller with REX input is unavailable, the N/C contact of the switch is wired in series between the power supply and fail safe magnetic lock. Depressing the exit device pushpad retracts the latch, causing the contact to open, thereby releasing the magnetic lock for uninhibited egress.

Mantrap Logic: Provides N/O and N/C contacts required for 2 or more communicating doors for Interlock and Mantrap applications.

SDC Security Door Controls

801 Avenida Acaso, Camarillo, Ca. 93012 • (805) 494-0622 •
www.sdcsecurity.com • E-mail: service@sdsecurity.com

00510-F INSTALLATION INSTRUCTIONS SWITCH KIT (VON DUPRIN 33, 99) FIRE DEVICE



- (A) SLIDE BASE THROUGH SLOT AT BOTTOM OF BAR.
- (B) DROP AND ALIGN BRACKET OVER BASE SECURING SWITCH ASSEMBLY WITH SCREW PROVIDED.
- (C) MOVE ASSEMBLY FORWARD UNTIL PROPER SWITCH ACTIVATION IS ACHIEVED AND TIGHTEN SCREW.

Applications

Remote Latch Status Monitoring:

Retracting the latch by depressing the push pad provides an output signal for local or remote visual and audible annunciation indicating forced entry or unauthorized egress.

Access Control REX: When connected to the Request-To-Exit input of a keypad, card or biometric Access Controller, depressing the pushpad and retracting the latch actuates the Latch Status contact, shunting the control access control alarm to permit authorized egress and/or releases the magnetic door lock for uninhibited egress.

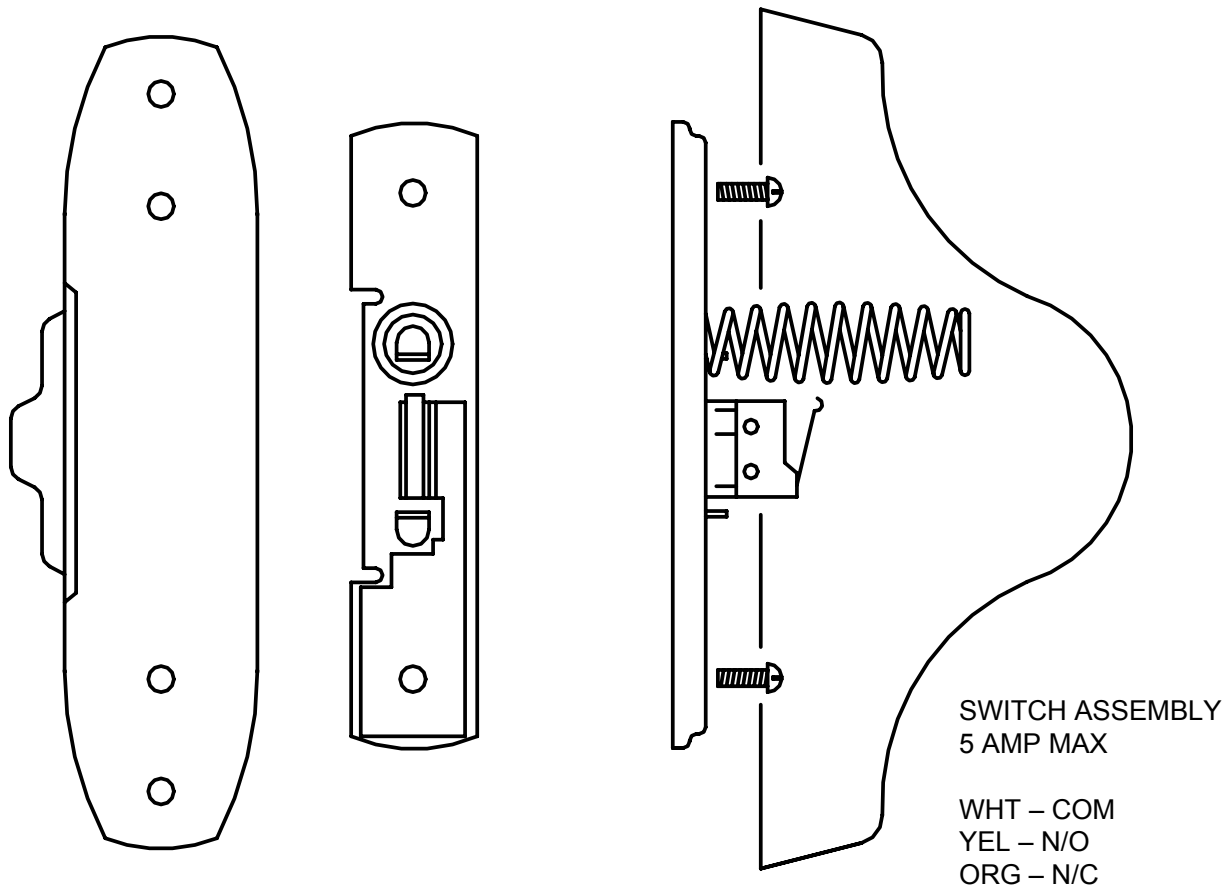
Magnetic Lock Release: Where Access Controller with REX input is unavailable, the N/C contact of the switch is wired in series between the power supply and fail safe magnetic lock. Depressing the exit device pushpad retracts the latch, causing the contact to open, thereby releasing the magnetic lock for uninhibited egress.

Mantrap Logic: Provides N/O and N/C contacts required for 2 or more communicating doors for Interlock and Mantrap applications.

SDC Security Door Controls

801 Avenida Acaso, Camarillo, Ca. 93012 • (805) 494-0622 •
www.sdcsecurity.com • E-mail: service@sdsecurity.com

00511 INSTALLATION INSTRUCTIONS SWITCH KIT (VON DUPRIN 55 SERIES)



Applications

Remote Latch Status Monitoring:

Retracting the latch by depressing the pushpad provides an output signal for local or remote visual and audible annunciation indicating forced entry or unauthorized egress.

Access Control REX: When connected to the Request-To-Exit input of a keypad, card or biometric Access Controller, depressing the pushpad and retracting the latch actuates the Latch Status contact, shunting the control access control alarm to permit authorized egress and/or releases the magnetic door lock for uninhibited egress.

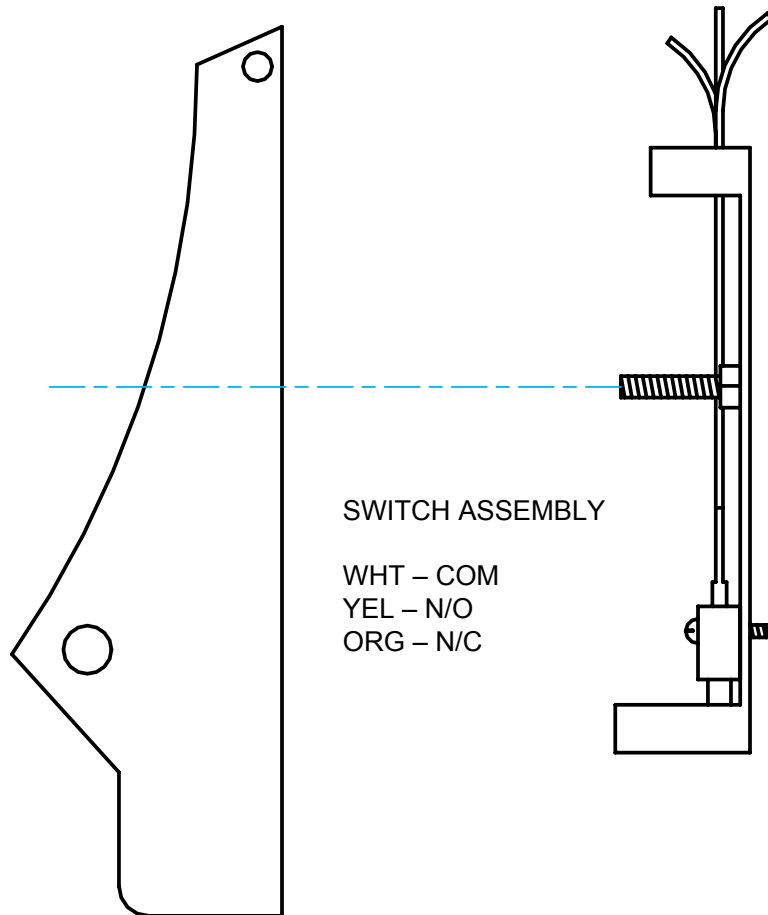
Magnetic Lock Release: Where Access Controller with REX input is unavailable, the N/C contact of the switch is wired in series between the power supply and fail safe magnetic lock. Depressing the exit device pushpad retracts the latch, causing the contact to open, thereby releasing the magnetic lock for uninhibited egress.

Mantrap Logic: Provides N/O and N/C contacts required for 2 or more communicating doors for Interlock and Mantrap applications.

SDC Security Door Controls

801 Avenida Acaso, Camarillo, Ca. 93012 • (805) 494-0622 •
www.sdcsecurity.com • E-mail: service@sdsecurity.com

00514 INSTALLATION INSTRUCTIONS SWITCH KIT DOOR-O-MATIC 990, 1090, 1990 & 2090 SERIES



Applications

Remote Latch Status Monitoring:

Retracting the latch by depressing the push pad provides an output signal for local or remote visual and audible annunciation indicating forced entry or unauthorized egress.

Access Control REX: When connected to the Request-To-Exit input of a keypad, card or biometric Access Controller, depressing the pushpad and retracting the latch actuates the Latch Status contact, shunting the control access control alarm to permit authorized egress and/or releases the magnetic door lock for uninhibited egress.

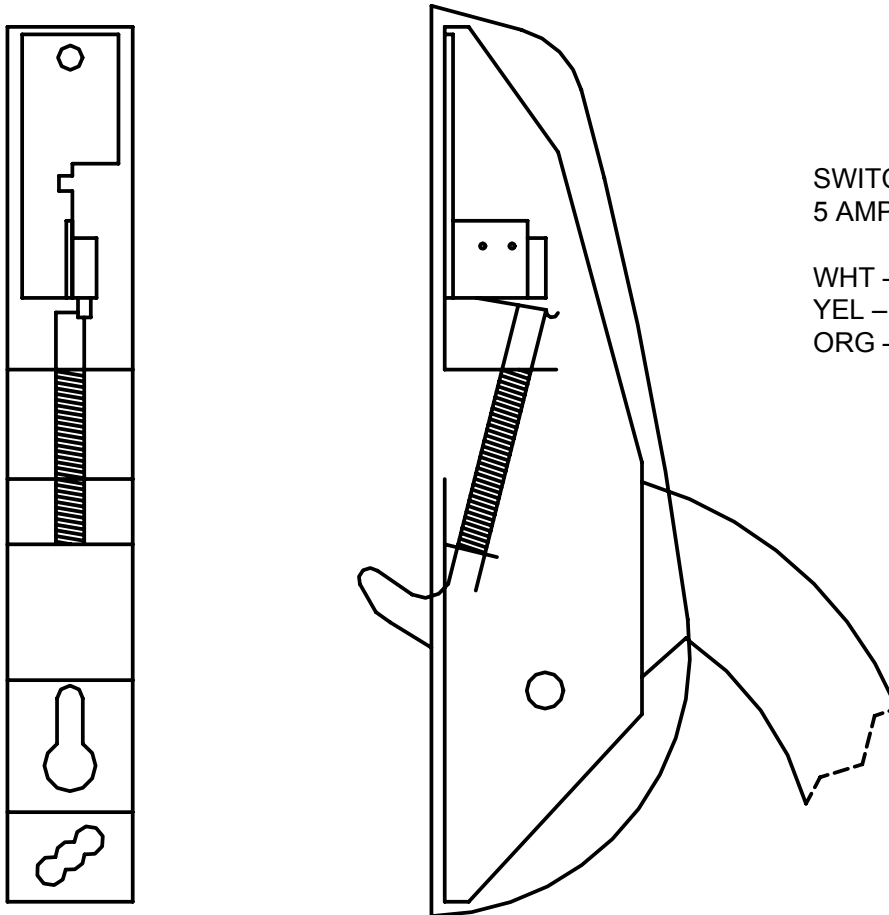
Magnetic Lock Release: Where Access Controller with REX input is unavailable, the N/C contact of the switch is wired in series between the power supply and fail safe magnetic lock. Depressing the exit device pushpad retracts the latch, causing the contact to open, thereby releasing the magnetic lock for uninhibited egress.

Mantrap Logic: Provides N/O and N/C contacts required for 2 or more communicating doors for Interlock and Mantrap applications.

SDC Security Door Controls

801 Avenida Acaso, Camarillo, Ca. 93012 • (805) 494-0622 •
www.sdcsecurity.com • E-mail: service@sdsecurity.com

00515 INSTALLATION INSTRUCTIONS SWITCH KIT SARGENT 9300, 9400, 9500 SERIES



Applications

Remote Latch Status Monitoring:

Retracting the latch by depressing the push pad provides an output signal for local or remote visual and audible annunciation indicating forced entry or unauthorized egress.

Access Control REX: When connected to the Request-To-Exit input of a keypad, card or biometric Access Controller, depressing the pushpad and retracting the latch actuates the Latch Status contact, shunting the control access control alarm to permit authorized egress and/or releases the magnetic door lock for uninhibited egress.

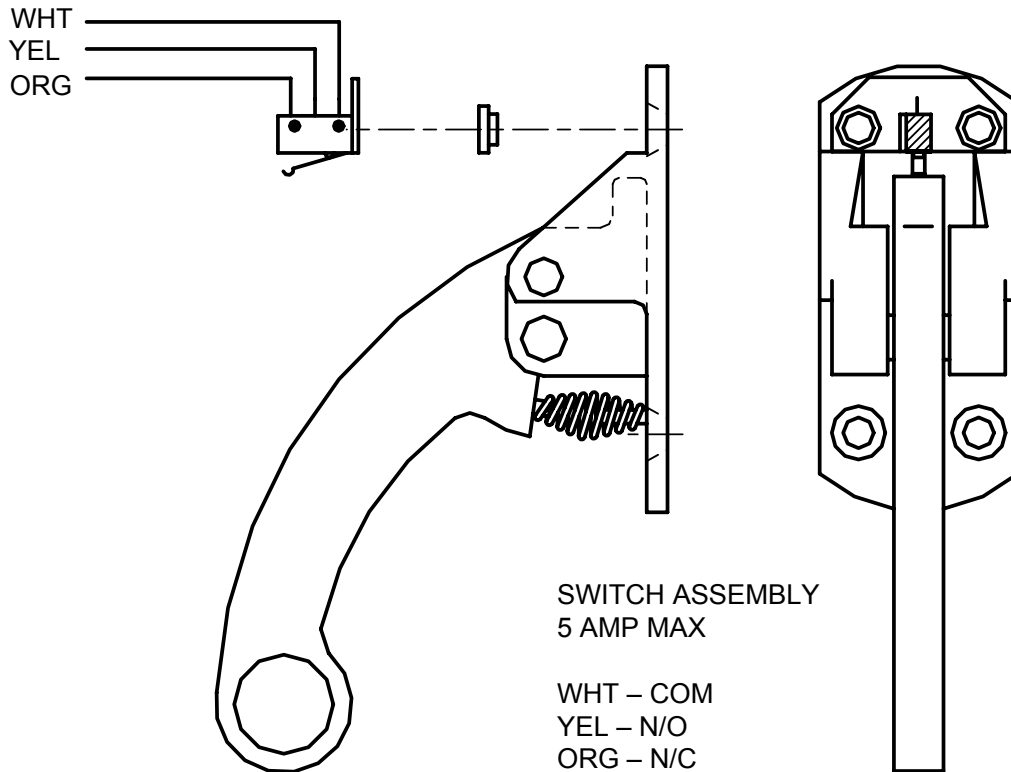
Magnetic Lock Release: Where Access Controller with REX input is unavailable, the N/C contact of the switch is wired in series between the power supply and fail safe magnetic lock. Depressing the exit device pushpad retracts the latch, causing the contact to open, thereby releasing the magnetic lock for uninhibited egress.

Mantrap Logic: Provides N/O and N/C contacts required for 2 or more communicating doors for Interlock and Mantrap applications.

SDC Security Door Controls

801 Avenida Acaso, Camarillo, Ca. 93012 • (805) 494-0622 •
www.sdcsecurity.com • E-mail: service@sdsecurity.com

00516 INSTALLATION INSTRUCTIONS SWITCH KIT SARGENT 9600, 9700, 9800, 9900 SERIES



Applications

Remote Latch Status Monitoring:

Retracting the latch by depressing the push pad provides an output signal for local or remote visual and audible annunciation indicating forced entry or unauthorized egress.

Access Control REX: When connected to the Request-To-Exit input of a keypad, card or biometric Access Controller, depressing the pushpad and retracting the latch actuates the Latch Status contact, shunting the control access control alarm to permit authorized egress and/or releases the magnetic door lock for uninhibited egress.

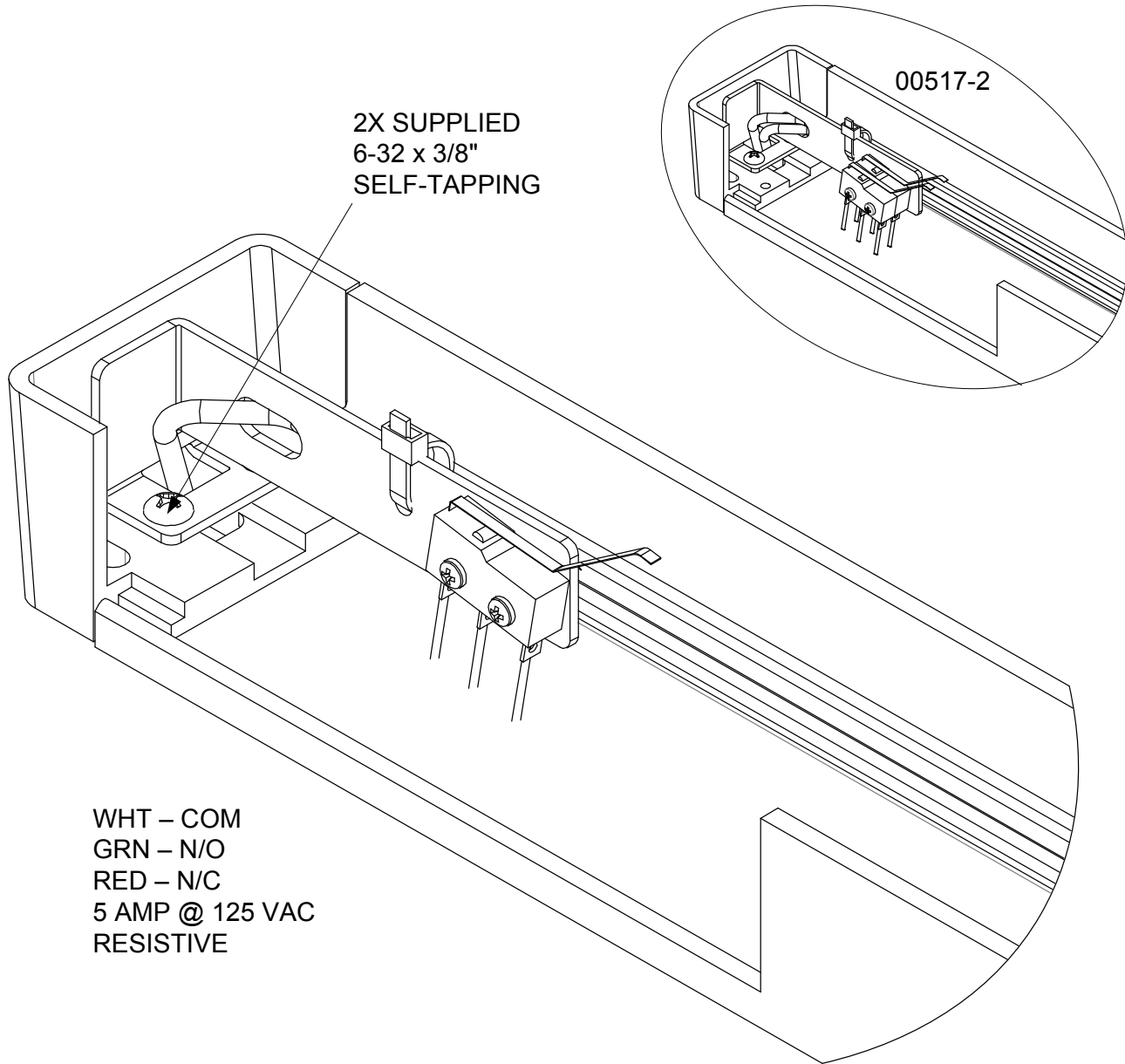
Magnetic Lock Release: Where Access Controller with REX input is unavailable, the N/C contact of the switch is wired in series between the power supply and fail safe magnetic lock. Depressing the exit device pushpad retracts the latch, causing the contact to open, thereby releasing the magnetic lock for uninhibited egress.

Mantrap Logic: Provides N/O and N/C contacts required for 2 or more communicating doors for Interlock and Mantrap applications.

SDC Security Door Controls

801 Avenida Acaso, Camarillo, Ca. 93012 • (805) 494-0622 •
www.sdcsecurity.com • E-mail: service@sdsecurity.com

INSTALLATION INSTRUCTIONS 00517 / 00517-2 ADAMS RITE MODELS: 8300, 8400, 8700 & 8800

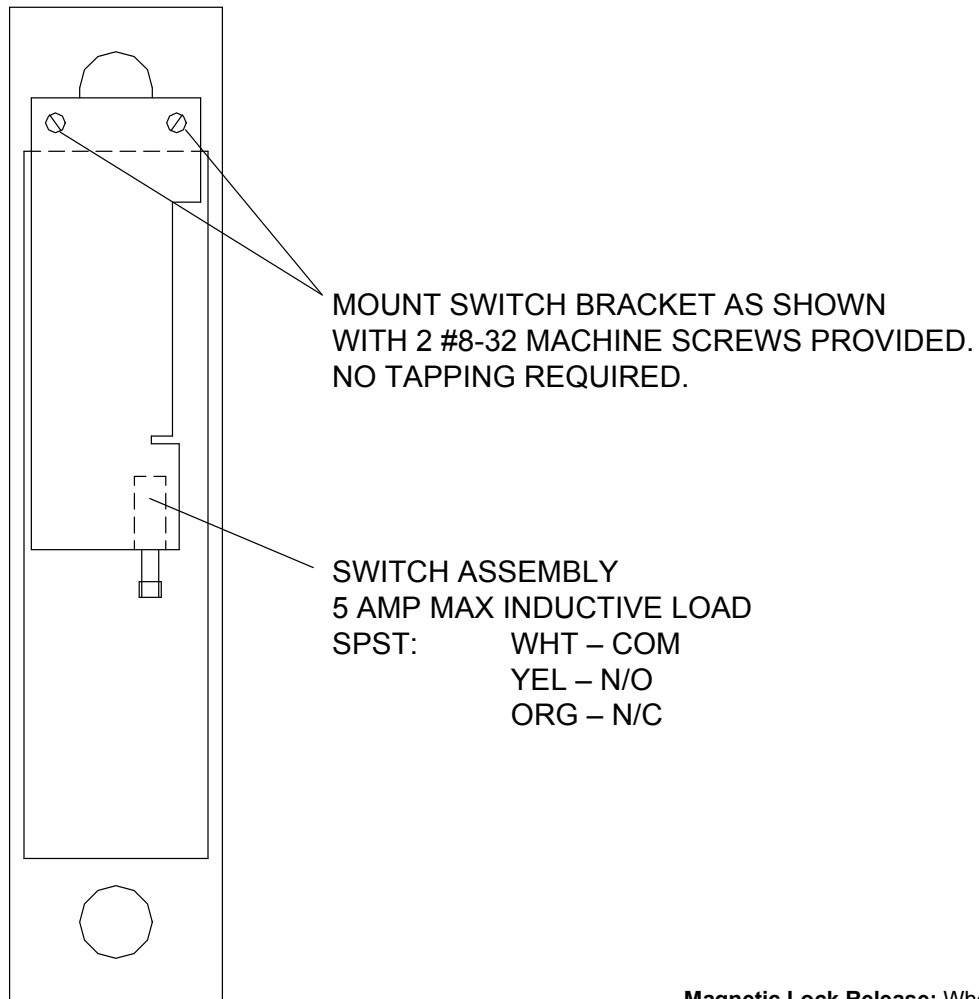


WHT – COM
GRN – N/O
RED – N/C
5 AMP @ 125 VAC
RESISTIVE

SDC Security Door Controls

801 Avenida Acaso, Camarillo, Ca. 93012 • (805) 494-0622 •
www.sdcsecurity.com • E-mail: service@sdsecurity.com

00519 INSTALLATION INSTRUCTIONS SWITCH KIT (JACKSON 1085 & 1095 SERIES)



Applications

Remote Latch Status Monitoring:

Retracting the latch by depressing the push pad provides an output signal for local or remote visual and audible annunciation indicating forced entry or unauthorized egress.

Access Control REX: When connected to the Request-To-Exit input of a keypad, card or biometric Access Controller, depressing the pushpad and retracting the latch actuates the Latch Status contact, shunting the control access control alarm to permit authorized egress and/or releases the magnetic door lock for uninhibited egress.

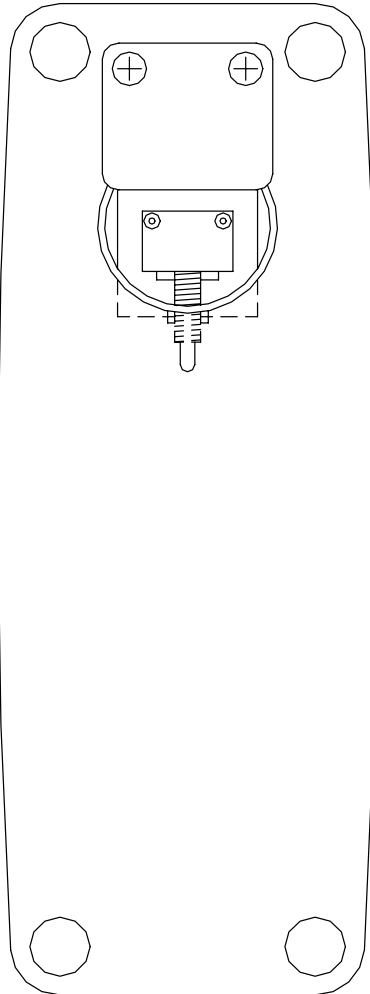
Magnetic Lock Release: Where Access Controller with REX input is unavailable, the N/C contact of the switch is wired in series between the power supply and fail safe magnetic lock. Depressing the exit device pushpad retracts the latch, causing the contact to open, thereby releasing the magnetic lock for uninhibited egress.

Mantrap Logic: Provides N/O and N/C contacts required for 2 or more communicating doors for Interlock and Mantrap applications.

SDC Security Door Controls

801 Avenida Acaso, Camarillo, Ca. 93012 • (805) 494-0622 •
www.sdcsecurity.com • E-mail: service@sdsecurity.com

00520 & 00522 INSTALLATION INSTRUCTIONS SWITCH KIT (CORBIN 3000 RUSSWIN 700 SERIES)



REMOVE TWO TOP ASSEMBLY SCREWS
PLACE SWITCH ASSEMBLY AS SHOWN
AND FASTEN SCREWS.

SWITCH ASSEMBLY
5 AMP MAX.
WHT – COM
YEL – N/O
ORG – N/C

Applications

Remote Latch Status Monitoring:

Retracting the latch by depressing the push pad provides an output signal for local or remote visual and audible annunciation indicating forced entry or unauthorized egress.

Access Control REX: When connected to the Request-To-Exit input of a keypad, card or biometric Access Controller, depressing the pushpad and retracting the latch actuates the Latch Status contact, shunting the control access control alarm to permit authorized egress and/or releases the magnetic door lock for uninhibited egress.

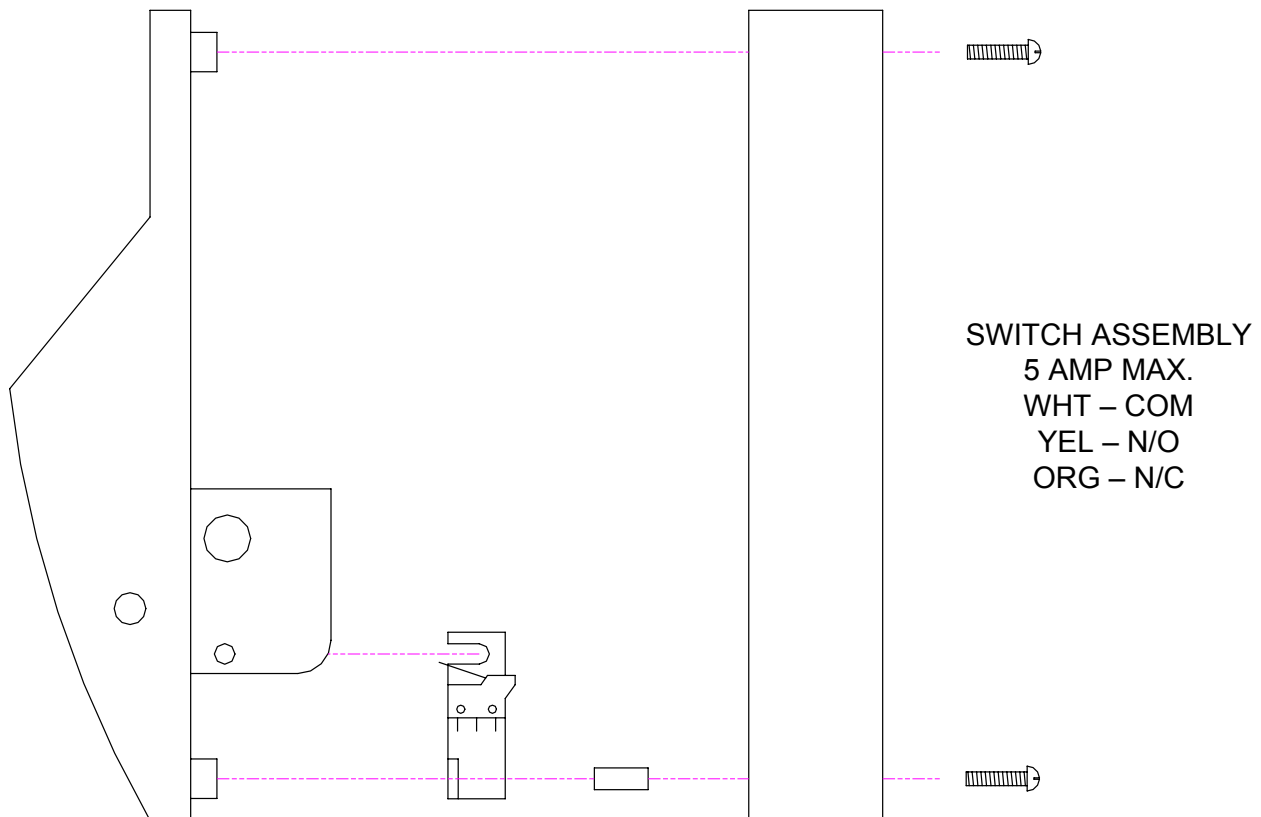
Magnetic Lock Release: Where Access Controller with REX input is unavailable, the N/C contact of the switch is wired in series between the power supply and fail safe magnetic lock. Depressing the exit device pushpad retracts the latch, causing the contact to open, thereby releasing the magnetic lock for uninhibited egress.

Mantrap Logic: Provides N/O and N/C contacts required for 2 or more communicating doors for Interlock and Mantrap applications.

SDC Security Door Controls

801 Avenida Acaso, Camarillo, Ca. 93012 • (805) 494-0622 •
www.sdcsecurity.com • E-mail: service@sdsecurity.com

00521 INSTALLATION INSTRUCTIONS SWITCH KIT (CORBIN 4000 SERIES)



Applications

Remote Latch Status Monitoring:

Retracting the latch by depressing the push pad provides an output signal for local or remote visual and audible annunciation indicating forced entry or unauthorized egress.

Access Control REX: When connected to the Request-To-Exit input of a keypad, card or biometric Access Controller, depressing the pushpad and retracting the latch actuates the Latch Status contact, shunting the control access control alarm to permit authorized egress and/or releases the magnetic door lock for uninhibited egress.

Magnetic Lock Release: Where Access Controller with REX input is unavailable, the N/C contact of the switch is wired in series between the power supply and fail safe magnetic lock. Depressing the exit device pushpad retracts the latch, causing the contact to open, thereby releasing the magnetic lock for uninhibited egress.

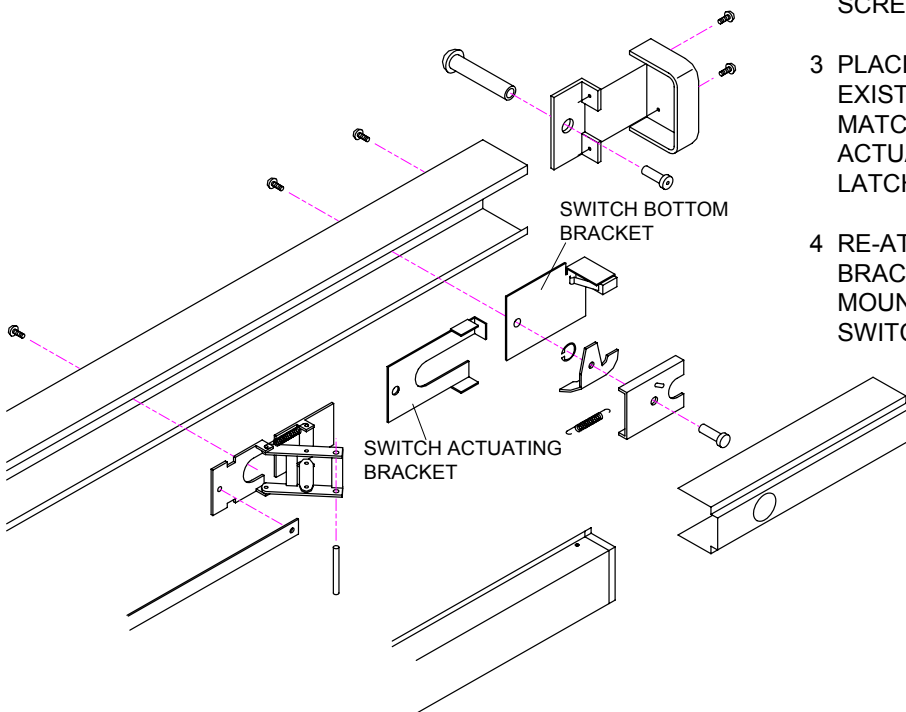
Mantrap Logic: Provides N/O and N/C contacts required for 2 or more communicating doors for Interlock and Mantrap applications.

SDC Security Door Controls

801 Avenida Acaso, Camarillo, Ca. 93012 • (805) 494-0622 •
www.sdcsecurity.com • E-mail: service@sdsecurity.com

00525 INSTALLATION INSTRUCTIONS SWITCH KIT (MONARCH 1819 SERIES)

- 1 SLIDE END CHANNEL COVER OFF PANIC DEVICE TO EXPOSE DOGGING ASSEMBLY.
- 2 TO REMOVE THE ASSY. LOCATE THE MOUNTING SCREW ON THE BACK OF THE DEVICE.
- 3 PLACE BOTTOM SWITCH BRACKET OVER EXISTING PANIC BAR MOUNTING HOLE, MATCHING MOUNTING HOLE PREP. ATTACH ACTUATING SWITCH BRACKET TO PANIC LATCHING PIN ON PANIC PUSH PAD.
- 4 RE-ATTACH DOGGING ASSY. OVER BOTH BRACKETS AND RE-ASSEMBLE ALIGNING MOUNTING HOLES (TEST PAD TO MAKE SURE SWITCH ARM IS BEING DEPRESSED).



SWITCH ASSEMBLY
5 AMP MAX.
WHT – COM
YEL – N/O
ORG – N/C

Applications

Remote Latch Status Monitoring:

Retracting the latch by depressing the push pad provides an output signal for local or remote visual and audible annunciation indicating forced entry or unauthorized egress.

Access Control REX: When connected to the Request-To-Exit input of a keypad, card or biometric Access Controller, depressing the pushpad and retracting the latch actuates the Latch Status contact, shunting the control access control alarm to permit authorized egress and/or releases the magnetic door lock for uninhibited egress.

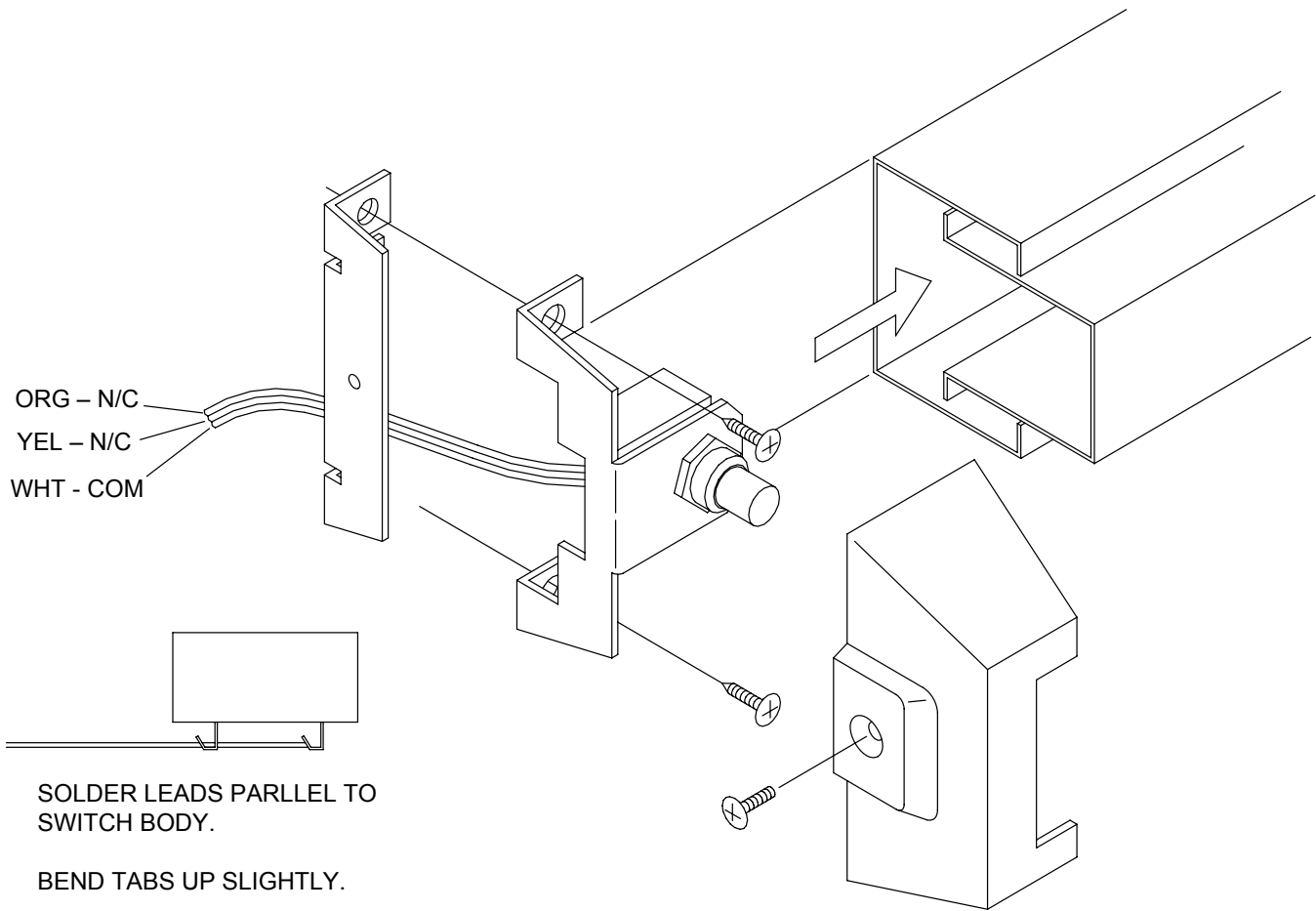
Magnetic Lock Release: Where Access Controller with REX input is unavailable, the N/C contact of the switch is wired in series between the power supply and fail safe magnetic lock. Depressing the exit device pushpad retracts the latch, causing the contact to open, thereby releasing the magnetic lock for uninhibited egress.

Mantrap Logic: Provides N/O and N/C contacts required for 2 or more communicating doors for Interlock and Mantrap applications.

SDC Security Door Controls

801 Avenida Acaso, Camarillo, Ca. 93012 • (805) 494-0622 •
www.sdcsecurity.com • E-mail: service@sdsecurity.com

00526 INSTALLATION INSTRUCTIONS SWITCH KIT CORBIN ED8200 (OLD 29 SERIES)



Applications

Remote Latch Status Monitoring:

Retracting the latch by depressing the push pad provides an output signal for local or remote visual and audible annunciation indicating forced entry or unauthorized egress.

Access Control REX: When connected to the Request-To-Exit input of a keypad, card or biometric Access Controller, depressing the pushpad and retracting the latch actuates the Latch Status contact, shunting the control access control alarm to permit authorized egress and/or releases the magnetic door lock for uninhibited egress.

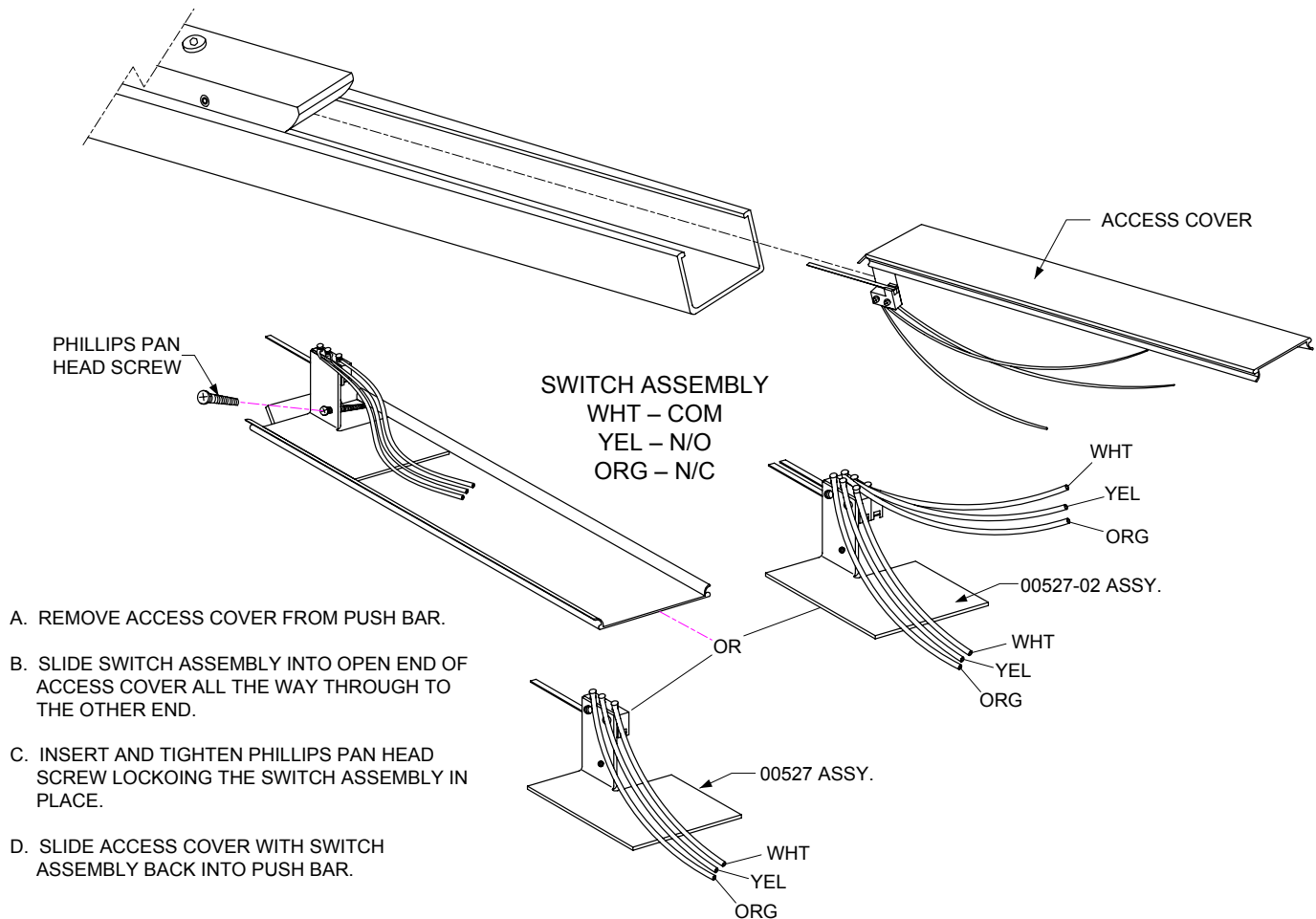
Magnetic Lock Release: Where Access Controller with REX input is unavailable, the N/C contact of the switch is wired in series between the power supply and fail safe magnetic lock. Depressing the exit device pushpad retracts the latch, causing the contact to open, thereby releasing the magnetic lock for uninhibited egress.

Mantrap Logic: Provides N/O and N/C contacts required for 2 or more communicating doors for Interlock and Mantrap applications.

SDC Security Door Controls

801 Avenida Acaso, Camarillo, Ca. 93012 • (805) 494-0622 •
www.sdcsecurity.com • E-mail: service@sdsecurity.com

00527 SWITCH KIT INSTALLATION INSTRUCTIONS SARGENT 8800 AND ARROW S1250 SERIES



Applications

Remote Latch Status Monitoring:

Retracting the latch by depressing the push pad provides an output signal for local or remote visual and audible annunciation indicating forced entry or unauthorized egress.

Access Control REX: When connected to the Request-To-Exit input of a keypad, card or biometric Access Controller, depressing the pushpad and retracting the latch actuates the Latch Status contact, shunting the control access control alarm to permit authorized egress and/or releases the magnetic door lock for uninhibited egress.

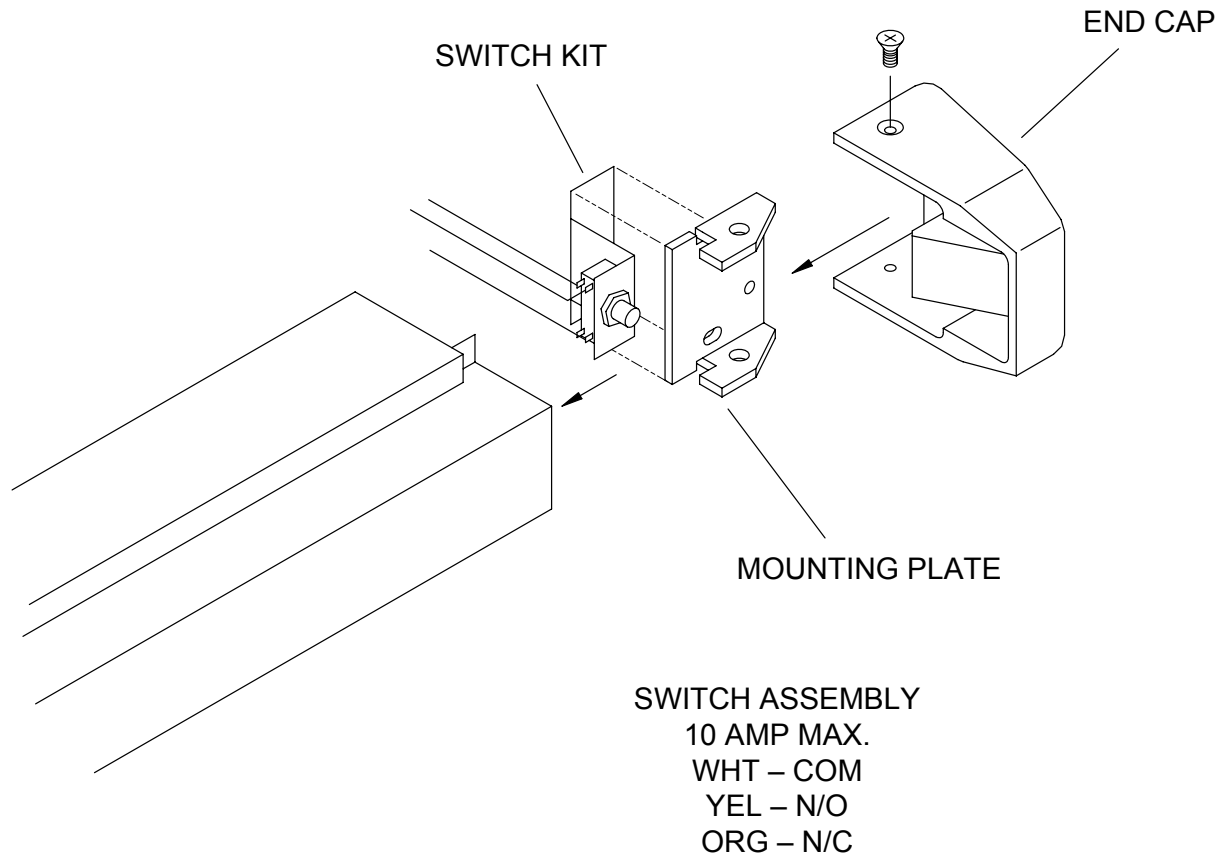
Magnetic Lock Release: Where Access Controller with REX input is unavailable, the N/C contact of the switch is wired in series between the power supply and fail safe magnetic lock. Depressing the exit device pushpad retracts the latch, causing the contact to open, thereby releasing the magnetic lock for uninhibited egress.

Mantrap Logic: Provides N/O and N/C contacts required for 2 or more communicating doors for Interlock and Mantrap applications.

SDC Security Door Controls

801 Avenida Acaso, Camarillo, Ca. 93012 • (805) 494-0622 •
www.sdcsecurity.com • E-mail: service@sdsecurity.com

00528 INSTALLATION INSTRUCTIONS SWITCH KIT (SARGENT 20, 60 SERIES)



Applications

Remote Latch Status Monitoring:

Retracting the latch by depressing the push pad provides an output signal for local or remote visual and audible annunciation indicating forced entry or unauthorized egress.

Access Control REX: When connected to the Request-To-Exit input of a keypad, card or biometric Access Controller, depressing the pushpad and retracting the latch actuates the Latch Status contact, shunting the control access control alarm to permit authorized egress and/or releases the magnetic door lock for uninhibited egress.

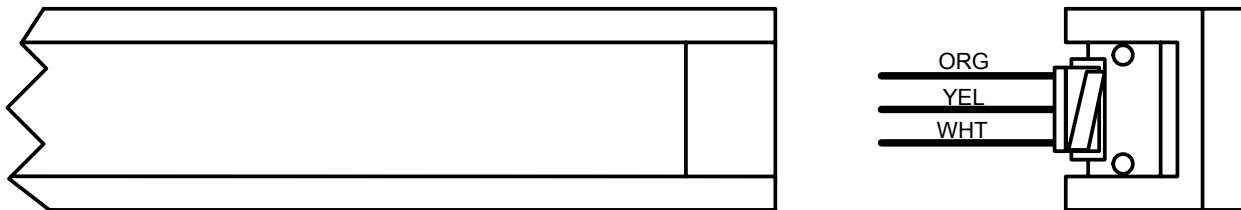
Magnetic Lock Release: Where Access Controller with REX input is unavailable, the N/C contact of the switch is wired in series between the power supply and fail safe magnetic lock. Depressing the exit device pushpad retracts the latch, causing the contact to open, thereby releasing the magnetic lock for uninhibited egress.

Mantrap Logic: Provides N/O and N/C contacts required for 2 or more communicating doors for Interlock and Mantrap applications.

SDC Security Door Controls

801 Avenida Acaso, Camarillo, Ca. 93012 • (805) 494-0622 •
www.sdcsecurity.com • E-mail: service@sdsecurity.com

00530 INSTALLATION INSTRUCTIONS SWITCH KIT YALE DEVICE 2000



Place switch bracket into end cap as illustrated.
Align holes in switch bracket with holes in end
cap and secure with screws.

ELECTRICAL DATA

ORG – N/C
WHT – COM
YEL – N/O
5A @ 30 VOLTS AC/DC (resistive)

Applications

Remote Latch Status Monitoring:

Retracting the latch by depressing the push pad provides an output signal for local or remote visual and audible annunciation indicating forced entry or unauthorized egress.

Access Control REX: When connected to the Request-To-Exit input of a keypad, card or biometric Access Controller, depressing the pushpad and retracting the latch actuates the Latch Status contact, shunting the control access control alarm to permit authorized egress and/or releases the magnetic door lock for uninhibited egress.

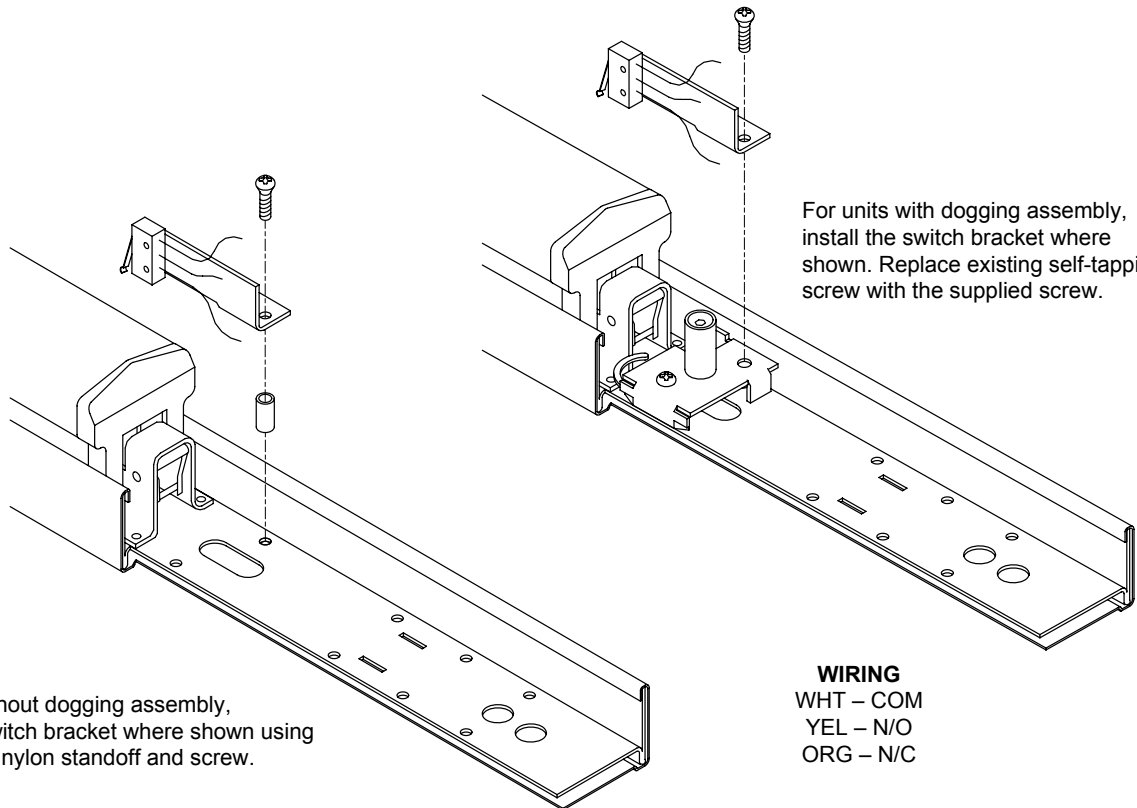
Magnetic Lock Release: Where Access Controller with REX input is unavailable, the N/C contact of the switch is wired in series between the power supply and fail safe magnetic lock. Depressing the exit device pushpad retracts the latch, causing the contact to open, thereby releasing the magnetic lock for uninhibited egress.

Mantrap Logic: Provides N/O and N/C contacts required for 2 or more communicating doors for Interlock and Mantrap applications.

SDC Security Door Controls

801 Avenida Acaso, Camarillo, Ca. 93012 • (805) 494-0622 •
www.sdcsecurity.com • E-mail: service@sdsecurity.com

00531 INSTALLATION INSTRUCTIONS SWITCH KIT ASSEMBLY



Applications

Remote Latch Status Monitoring:

Retracting the latch by depressing the push pad provides an output signal for local or remote visual and audible annunciation indicating forced entry or unauthorized egress.

Access Control REX: When connected to the Request-To-Exit input of a keypad, card or biometric Access Controller, depressing the pushpad and retracting the latch actuates the Latch Status contact, shunting the control access control alarm to permit authorized egress and/or releases the magnetic door lock for uninhibited egress.

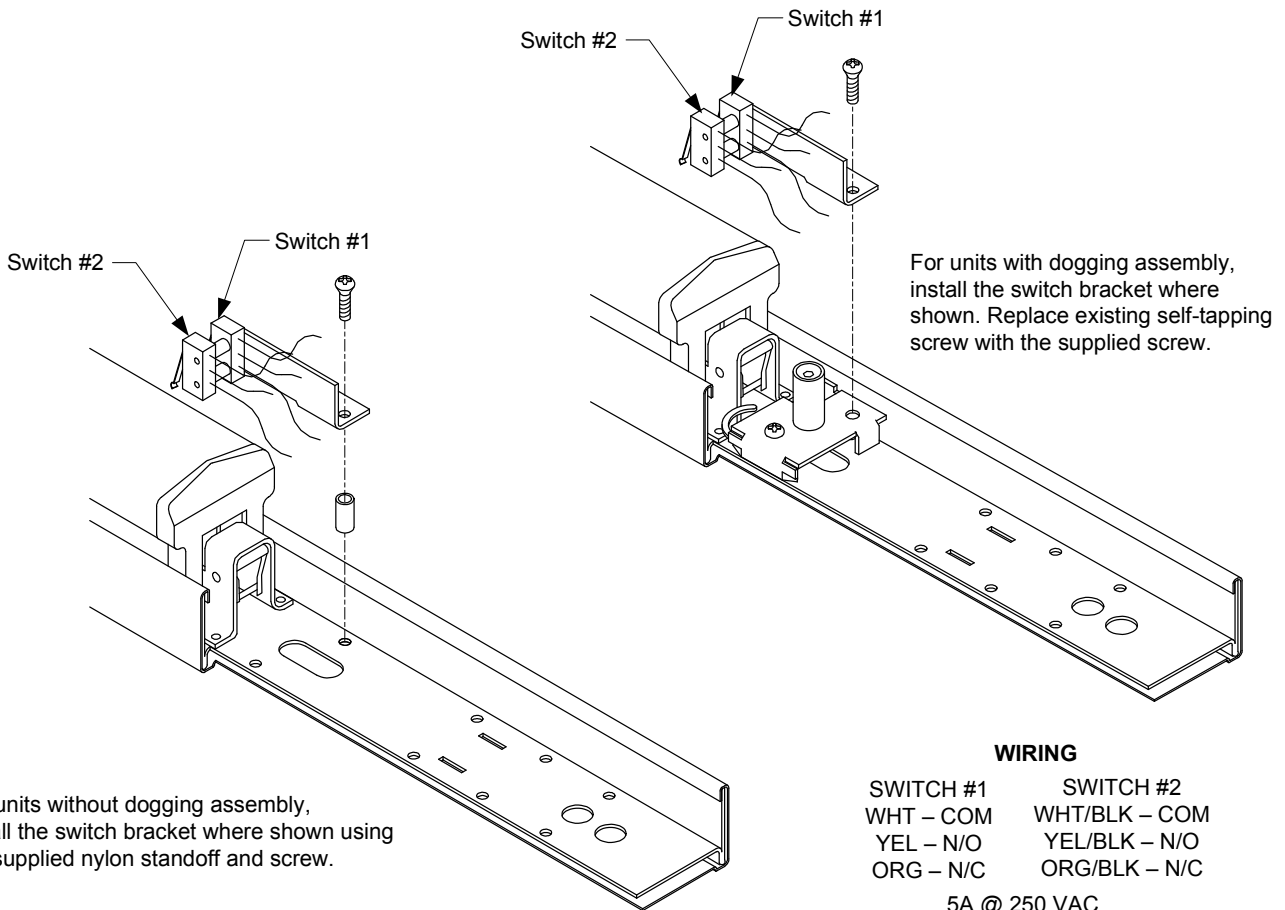
Magnetic Lock Release: Where Access Controller with REX input is unavailable, the N/C contact of the switch is wired in series between the power supply and fail safe magnetic lock. Depressing the exit device pushpad retracts the latch, causing the contact to open, thereby releasing the magnetic lock for uninhibited egress.

Mantrap Logic: Provides N/O and N/C contacts required for 2 or more communicating doors for Interlock and Mantrap applications.

SDC Security Door Controls

801 Avenida Acaso, Camarillo, Ca. 93012 • (805) 494-0622 •
www.sdcsecurity.com • E-mail: service@sdsecurity.com

00531-2 INSTALLATION INSTRUCTIONS DPDT SWITCH KIT ASSEMBLY



For units without dogging assembly, install the switch bracket where shown using the supplied nylon standoff and screw.

For units with dogging assembly, install the switch bracket where shown. Replace existing self-tapping screw with the supplied screw.

WIRING

SWITCH #1	SWITCH #2
WHT – COM	WHT/BLK – COM
YEL – N/O	YEL/BLK – N/O
ORG – N/C	ORG/BLK – N/C

5A @ 250 VAC
RESISTIVE

Applications

Remote Latch Status Monitoring:

Retracting the latch by depressing the push pad provides an output signal for local or remote visual and audible annunciation indicating forced entry or unauthorized egress.

Access Control REX: When connected to the Request-To-Exit input of a keypad, card or biometric Access Controller, depressing the pushpad and retracting the latch actuates the Latch Status contact, shunting the control access control alarm to permit authorized egress and/or releases the magnetic door lock for uninhibited egress.

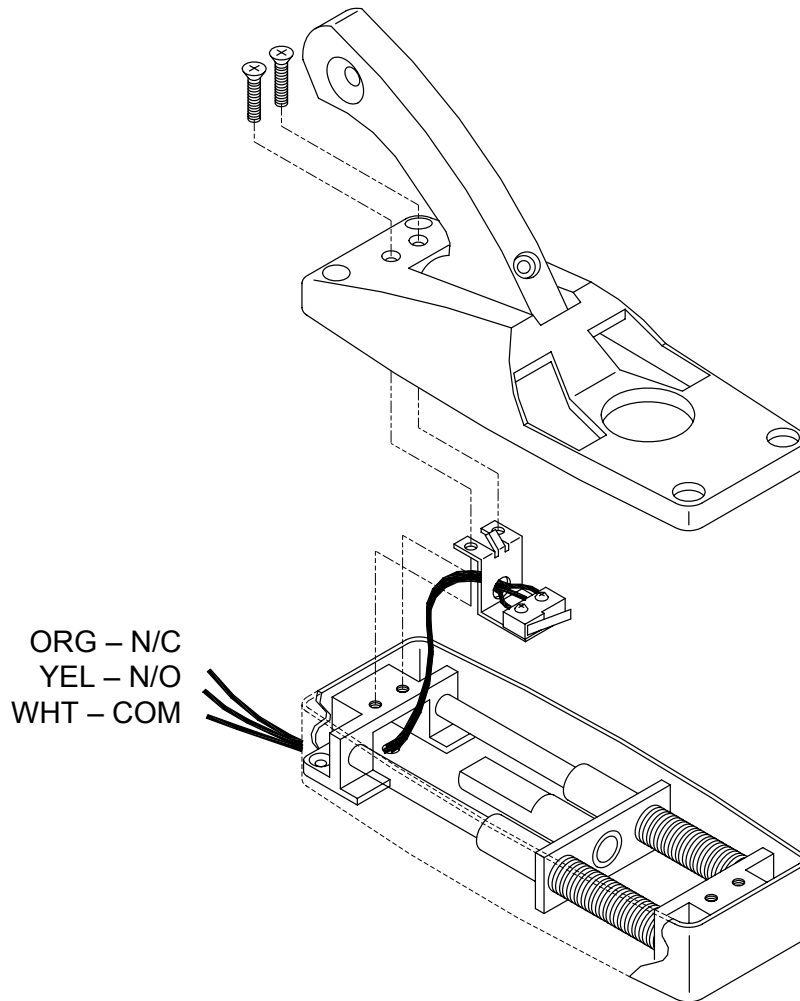
Magnetic Lock Release: Where Access Controller with REX input is unavailable, the N/C contact of the switch is wired in series between the power supply and fail safe magnetic lock. Depressing the exit device pushpad retracts the latch, causing the contact to open, thereby releasing the magnetic lock for uninhibited egress.

Mantrap Logic: Provides N/O and N/C contacts required for 2 or more communicating doors for Interlock and Mantrap applications.

SDC Security Door Controls

801 Avenida Acaso, Camarillo, Ca. 93012 • (805) 494-0622 •
www.sdcsecurity.com • E-mail: service@sdsecurity.com

00533 INSTALLATION INSTRUCTIONS SWITCH KIT (CORBIN/RUSSWIN ED6600 SERIES)



Applications

Remote Latch Status Monitoring:

Retracting the latch by depressing the push pad provides an output signal for local or remote visual and audible annunciation indicating forced entry or unauthorized egress.

Access Control REX: When connected to the Request-To-Exit input of a keypad, card or biometric Access Controller, depressing the pushpad and retracting the latch actuates the Latch Status contact, shunting the control access control alarm to permit authorized egress and/or releases the magnetic door lock for uninhibited egress.

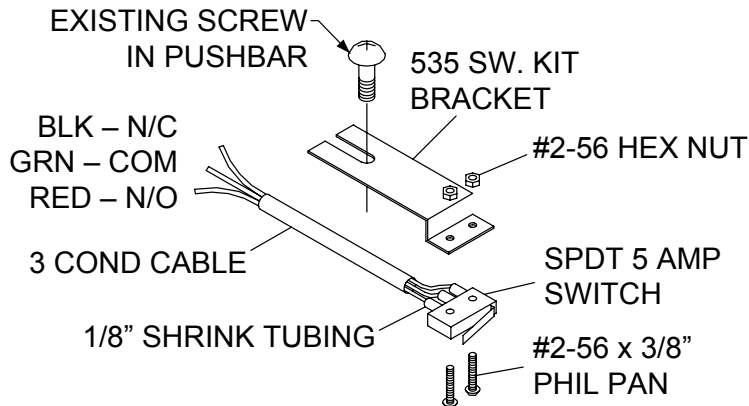
Magnetic Lock Release: Where Access Controller with REX input is unavailable, the N/C contact of the switch is wired in series between the power supply and fail safe magnetic lock. Depressing the exit device pushpad retracts the latch, causing the contact to open, thereby releasing the magnetic lock for uninhibited egress.

Mantrap Logic: Provides N/O and N/C contacts required for 2 or more communicating doors for Interlock and Mantrap applications.

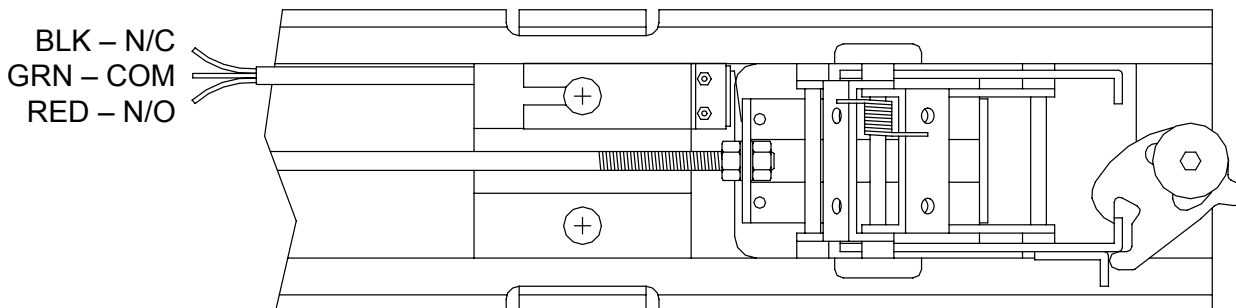
SDC Security Door Controls

801 Avenida Acaso, Camarillo, Ca. 93012 • (805) 494-0622 •
www.sdcsecurity.com • E-mail: service@sdsecurity.com

00535 INSTALLATION INSTRUCTIONS 1390 DOROMATIC/KAWNEER MID PANEL SWITCH KIT



- 1 SLIDE 3 PCS. OF SHRINK TUBING OVER WIRES FROM CABLE.
- 2 SOLDER WIRES FROM CABLE AS SHOWN AND COVER USING SHRINK TUBING. SHRINK THE TUBING.
- 3 ATTACH SWITCH TO BRACKET USING SCREWS AND NUTS.
- 4 REMOVE EXISTING SCREW FROM PUSH BAR AS SHOWN.
- 5 INSTALL SWITCH BRACKET AS SHOWN AND FASTEN EXISTING SCREW.



Applications

Remote Latch Status Monitoring:

Retracting the latch by depressing the push pad provides an output signal for local or remote visual and audible annunciation indicating forced entry or unauthorized egress.

Access Control REX: When connected to the Request-To-Exit input of a keypad, card or biometric Access Controller, depressing the pushpad and retracting the latch actuates the Latch Status contact, shunting the control access control alarm to permit authorized egress and/or releases the magnetic door lock for uninhibited egress.

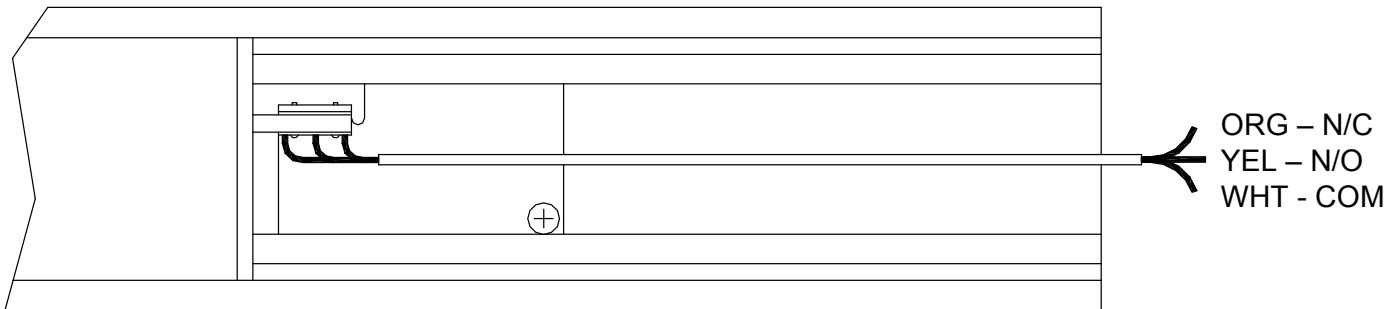
Magnetic Lock Release: Where Access Controller with REX input is unavailable, the N/C contact of the switch is wired in series between the power supply and fail safe magnetic lock. Depressing the exit device pushpad retracts the latch, causing the contact to open, thereby releasing the magnetic lock for uninhibited egress.

Mantrap Logic: Provides N/O and N/C contacts required for 2 or more communicating doors for Interlock and Mantrap applications.

SDC Security Door Controls

801 Avenida Acaso, Camarillo, Ca. 93012 • (805) 494-0622 •
www.sdcsecurity.com • E-mail: service@sdsecurity.com

00536 INSTALLATION INSTRUCTIONS SWITCH KIT (JACKSON 1295)



Applications

Remote Latch Status Monitoring:

Retracting the latch by depressing the push pad provides an output signal for local or remote visual and audible annunciation indicating forced entry or unauthorized egress.

Access Control REX: When connected to the Request-To-Exit input of a keypad, card or biometric Access Controller, depressing the pushpad and retracting the latch actuates the Latch Status contact, shunting the control access control alarm to permit authorized egress and/or releases the magnetic door lock for uninhibited egress.

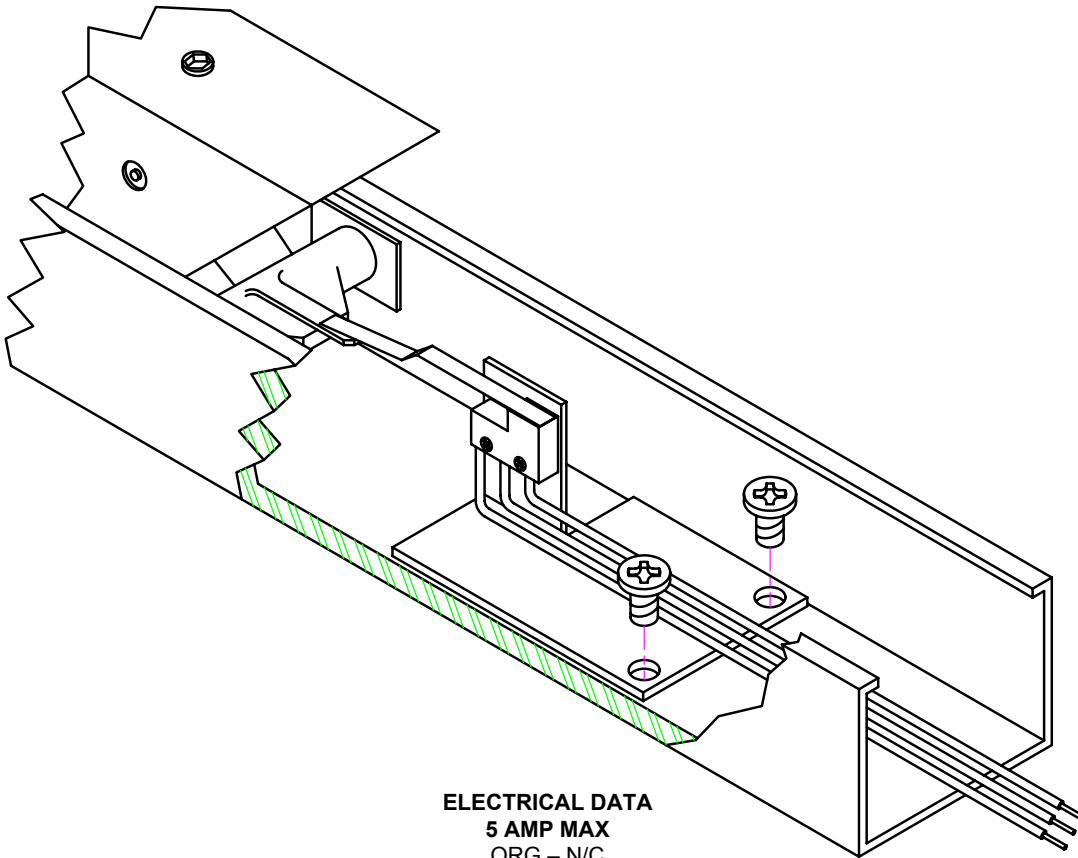
Magnetic Lock Release: Where Access Controller with REX input is unavailable, the N/C contact of the switch is wired in series between the power supply and fail safe magnetic lock. Depressing the exit device pushpad retracts the latch, causing the contact to open, thereby releasing the magnetic lock for uninhibited egress.

Mantrap Logic: Provides N/O and N/C contacts required for 2 or more communicating doors for Interlock and Mantrap applications.

SDC Security Door Controls

801 Avenida Acaso, Camarillo, Ca. 93012 • (805) 494-0622 •
www.sdcsecurity.com • E-mail: service@sdsecurity.com

00539 INSTALLATION INSTRUCTIONS SWITCH KIT CAL ROYAL SERIES



ELECTRICAL DATA
5 AMP MAX
ORG – N/C
WHT – COM
YEL – N/O

Applications

Remote Latch Status Monitoring:

Retracting the latch by depressing the push pad provides an output signal for local or remote visual and audible annunciation indicating forced entry or unauthorized egress.

Access Control REX: When connected to the Request-To-Exit input of a keypad, card or biometric Access Controller, depressing the pushpad and retracting the latch actuates the Latch Status contact, shunting the control access control alarm to permit authorized egress and/or releases the magnetic door lock for uninhibited egress.

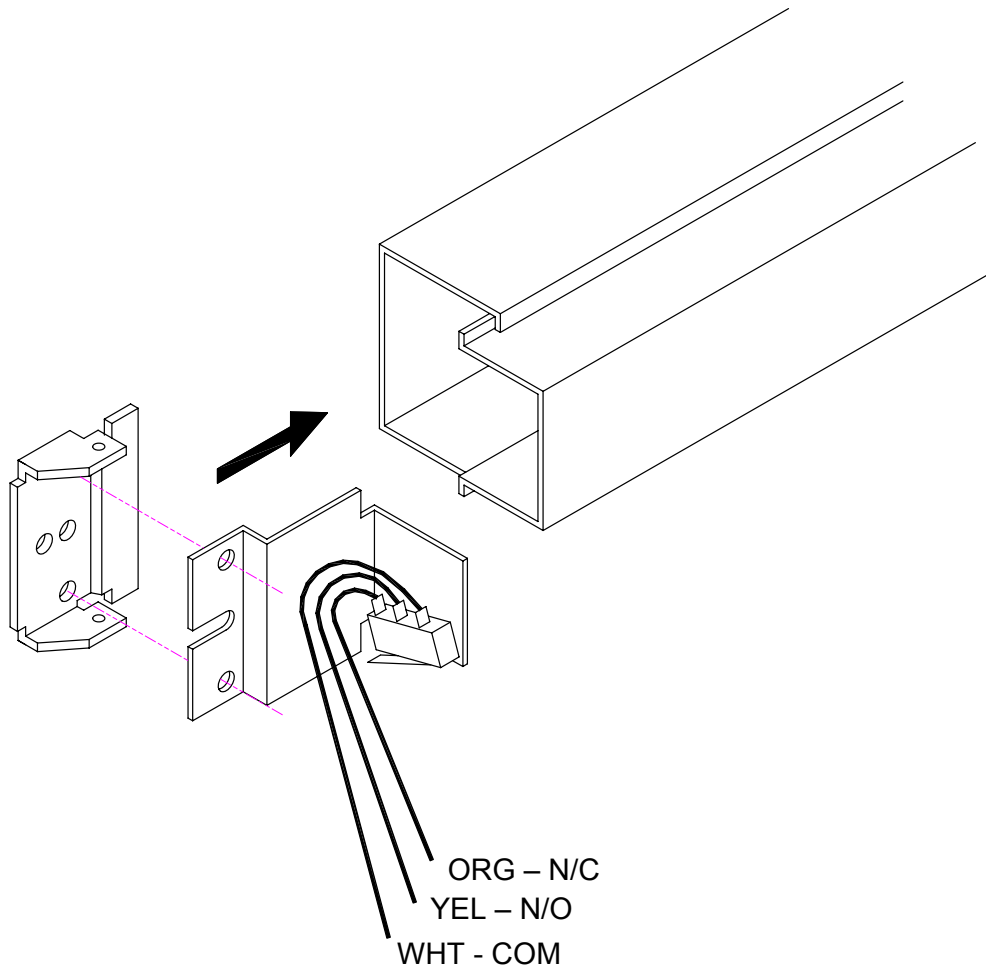
Magnetic Lock Release: Where Access Controller with REX input is unavailable, the N/C contact of the switch is wired in series between the power supply and fail safe magnetic lock. Depressing the exit device pushpad retracts the latch, causing the contact to open, thereby releasing the magnetic lock for uninhibited egress.

Mantrap Logic: Provides N/O and N/C contacts required for 2 or more communicating doors for Interlock and Mantrap applications.

SDC Security Door Controls

801 Avenida Acaso, Camarillo, Ca. 93012 • (805) 494-0622 •
www.sdcsecurity.com • E-mail: service@sdsecurity.com

00540 SWITCH KIT INSTALLATION INSTRUCTIONS ARROW PUSH BAR 3000 & 4000 SERIES



Applications

Remote Latch Status Monitoring:

Retracting the latch by depressing the push pad provides an output signal for local or remote visual and audible annunciation indicating forced entry or unauthorized egress.

Access Control REX: When connected to the Request-To-Exit input of a keypad, card or biometric Access Controller, depressing the pushpad and retracting the latch actuates the Latch Status contact, shunting the control access control alarm to permit authorized egress and/or releases the magnetic door lock for uninhibited egress.

Magnetic Lock Release: Where Access Controller with REX input is unavailable, the N/C contact of the switch is wired in series between the power supply and fail safe magnetic lock. Depressing the exit device pushpad retracts the latch, causing the contact to open, thereby releasing the magnetic lock for uninhibited egress.

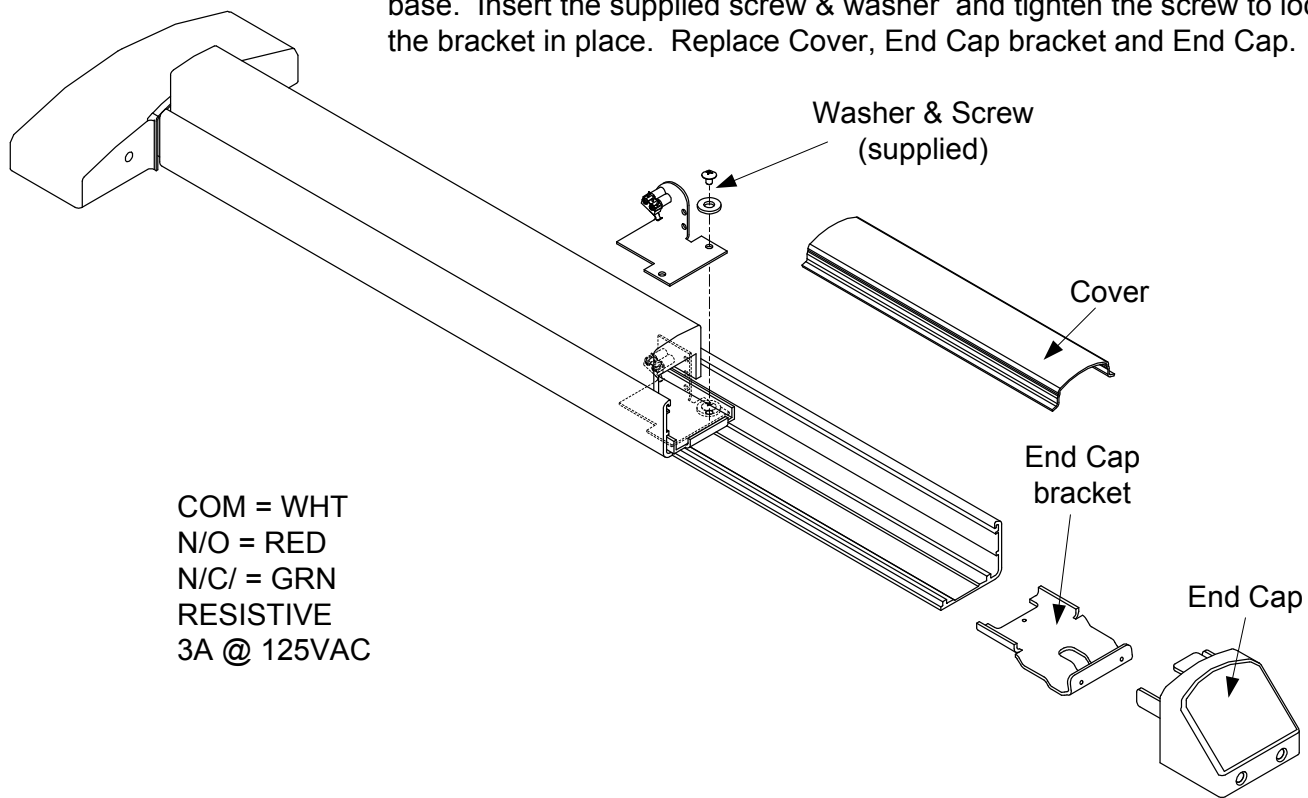
Mantrap Logic: Provides N/O and N/C contacts required for 2 or more communicating doors for Interlock and Mantrap applications.

SDC Security Door Controls

801 Avenida Acaso, Camarillo, Ca. 93012 • (805) 494-0622 •
www.sdcsecurity.com • E-mail: service@sdsecurity.com

LRDX1R INSTALLATION INSTRUCTIONS DETEX PUSH BAR REX SWITCH MODELS: 10, 20, 40, 50, 60 & 80 SERIES

Remove the End Cap, End Cap bracket and Cover. Slide the REX bracket assembly into the device and under the push bar mounting plate so the mounting hole aligns with existing tapped hole in the Push Bar base. Insert the supplied screw & washer and tighten the screw to lock the bracket in place. Replace Cover, End Cap bracket and End Cap.



Applications

Access Control REX: Provides an authorized request-to-exit signal to activate an access control REX input, shunting the access control alarm output.

Magnetic Lock REX: Releases lock for uninhibited egress when wired in series to lock power, or used to activate a time delay trigger input to release lock for egress.

Exit Alarm: May be used to activate an external alarm horn located adjacent to the opening.

Remote Annunciation: Indicates door use when connected to a remote annunciator,

Any suggestions or comments to this instruction or product are welcome. Please contact us through our website or email engineer@sdsecurity.com