

SDC Security Door Controls

801 Avenida Acaso, Camarillo, Ca. 93012 • (805) 494-0622 •
www.sdcsecurity.com • E-mail: service@sdsecurity.com

INSTALLATION INSTRUCTIONS E1200-390MP RETROFIT MOUNTING PLATE

The E1200-390MP Mounting Plate provides the simplest and most economical solution for retrofitting Locknetics 390+ Series lock:

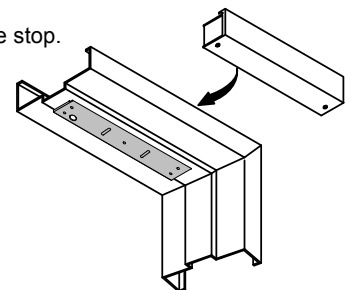
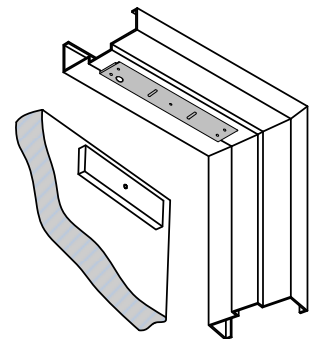
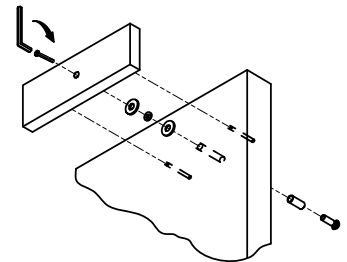
The E1200-390MP utilizes the existing mounting plate holes to mount SDC's E1200 Excel™ Series lock (sold separately).

Advantages:

- Saves valuable time by using the existing door and header prep. No additional holes are required through the door.
- All required hardware is included.
- Utilizes SDC's E1200 Excel Series lock with Door & Lock Monitoring options standard.

E1200-390MP Installation:

- Mount the new armature to the door using the existing sexbolt hole and the supplied hardware.
- Install the new mounting plate using the existing mounting plate holes and the supplied hardware.
- Locate the wire hole on the new mounting plate & drill a 3/8" dia. hole through the header.
- Attach the SDC lock onto the new mounting plate with the magnetic stripes towards the door side of the stop.



Any suggestions or comments to this instruction or product are welcome. Please contact us through our website or email engineer@sdsecurity.com