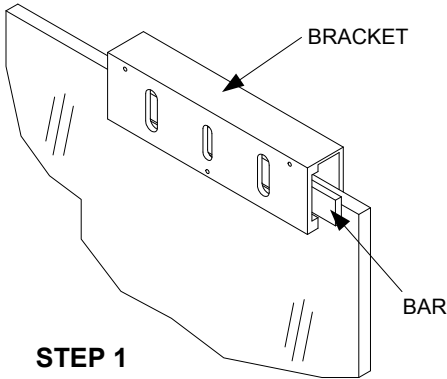


SDC Security Door Controls

801 Avenida Acaso, Camarillo, Ca. 93012 • (805) 494-0622 • Fax: (805) 494-8861
 www.sdcsecurity.com • E-mail: service@sdsecurity.com

INSTALLATION INSTRUCTIONS HDB HERCULITE GLASS DOOR BRACKET

INSTALL BRACKET AND BAR TO
 GLASS DOOR



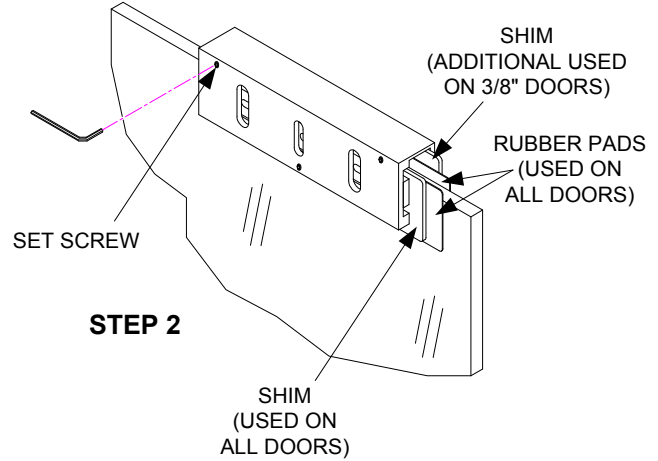
STEP 1

FOR 3/8" GLASS DOORS:
 PLACE RUBBER PAD &
 10GA. SHIM BOTH SIDES.

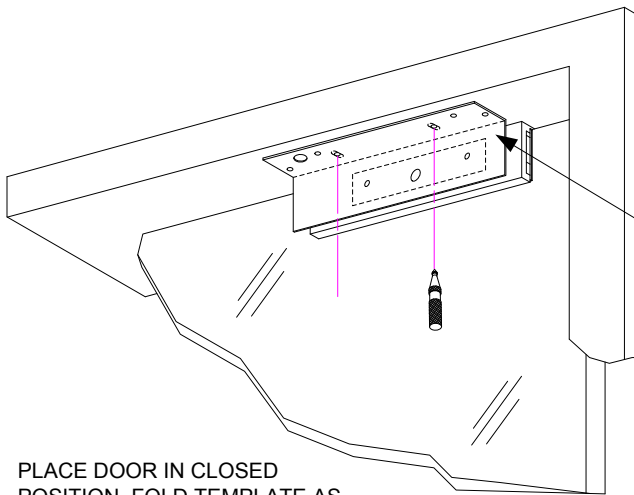
FOR 5/8" GLASS DOORS:
 PLACE RUBBER PAD BOTH
 SIDES & 10 GA. SHIM BOTH
 SIDES.

FOR 1/2" GLASS DOORS:
 PLACE RUBBER PAD BOTH
 SIDES & 18 GA. SHIM ONE
 SIDE ONLY, AND 10 GA.
 SHIM BOTH SIDES.

SECURE SET SCREWS WITH
 ALLEN WRENCH PROVIDED

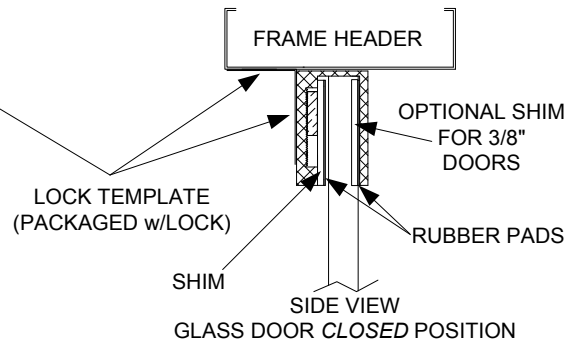


STEP 2

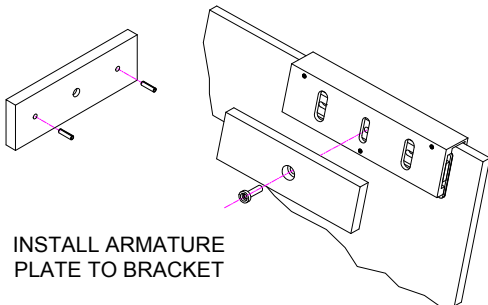


PLACE DOOR IN CLOSED
 POSITION, FOLD TEMPLATE AS
 INDICATED BY DOTTED LINE AND PLACE
 TEMPLATE AGAINST FRAME HEADER AND
 BRACKET THEN MARK AND DRILL AS INDICATED.

STEP 3



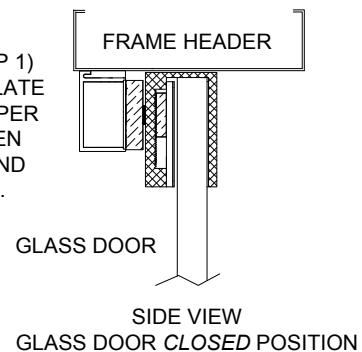
SIDE VIEW
 GLASS DOOR CLOSED POSITION



INSTALL ARMATURE
 PLATE TO BRACKET

STEP 4

USING BAR (SEE STEP 1)
 ADJUST ARMATURE PLATE
 AS NEEDED FOR PROPER
 ALIGNMENT BETWEEN
 ARMATURE PLATE AND
 EMLOCK SURFACE.



SIDE VIEW
 GLASS DOOR CLOSED POSITION

STEP 5