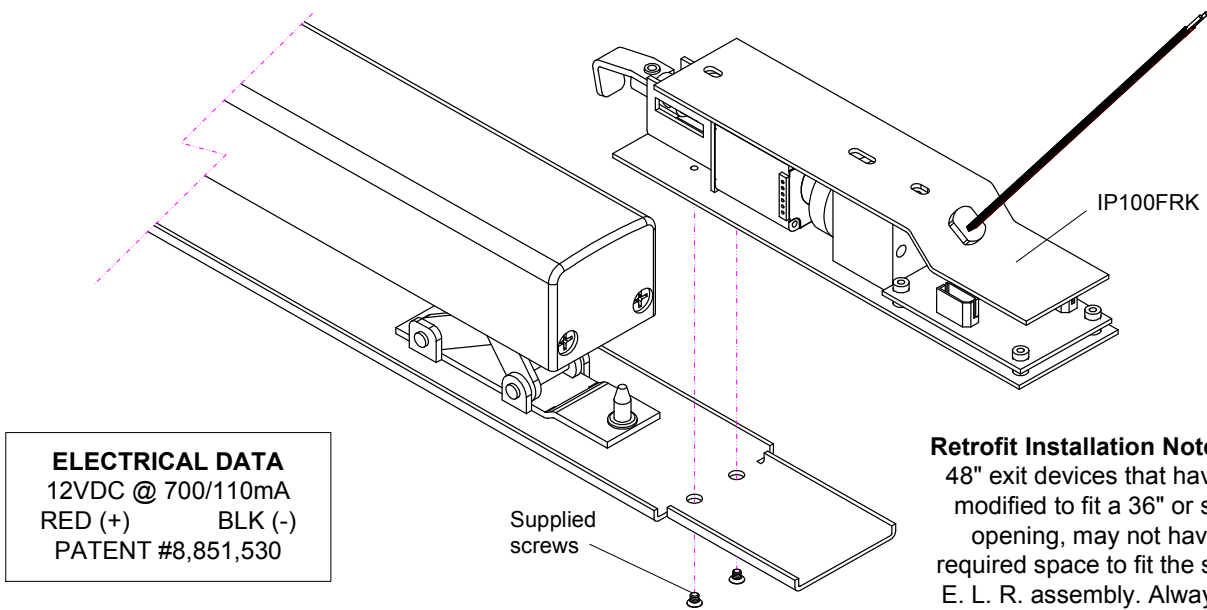


# SDC Security Door Controls

801 Avenida Acaso, Camarillo, Ca. 93012 • (805) 494-0622 •  
 www.sdcsecurity.com • E-mail: service@sdsecurity.com

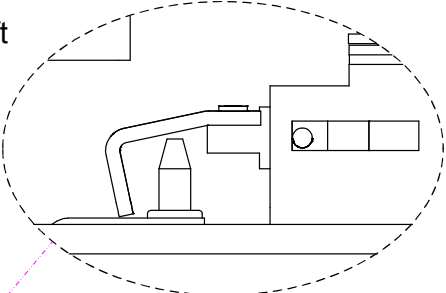
## INSTALLATION INSTRUCTIONS ELECTRIC LATCH RETRACTION KIT IP100FRK FALCON IR SERIES MODELS: 24-R, F-24-R, 25-R, F-25-R

After removing the Falcon IR Exit Device from the door, detach the head and slide the Push Bar assembly out of the extrusion. Attach the IP100FRK ELR unit to the Push Bar Assembly using the existing holes in the base and the supplied screws where shown.

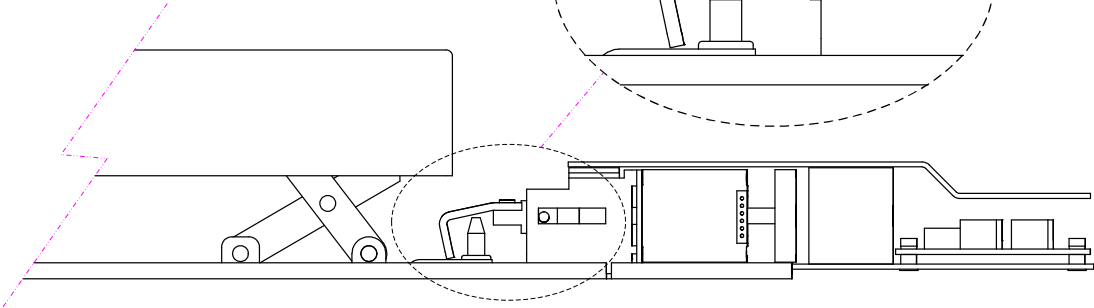


**Retrofit Installation Note:** 42" or 48" exit devices that have been modified to fit a 36" or smaller opening, may not have the required space to fit the standard E. L. R. assembly. Always verify the distance from the end of the touchpad to the end rail, and if necessary, consult with the factory for appropriate selection.

Make sure the linkage at the end of the ELR unit engages the shaft on the Exit Device as shown.



Carefully slide the Push Bar Assembly with attached ELR unit back into the extrusion and re-attach the head. Test the unit before re-installing on the door.



Any suggestions or comments to this instruction or product are welcome. Please contact us through our website or email engineer@sdsecurity.com