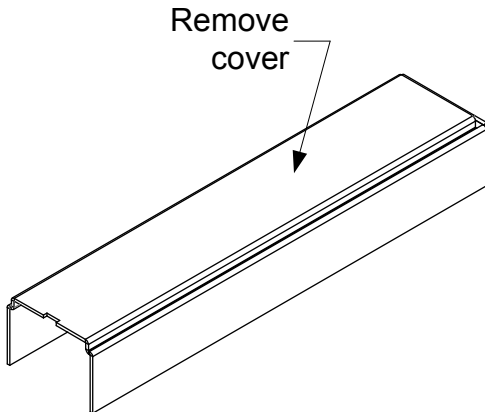
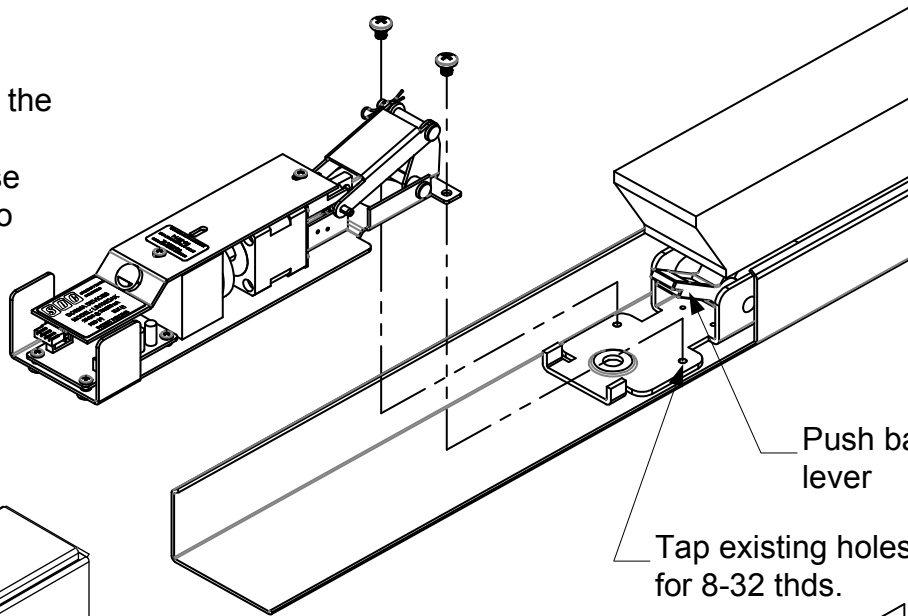


# SDC Security Door Controls

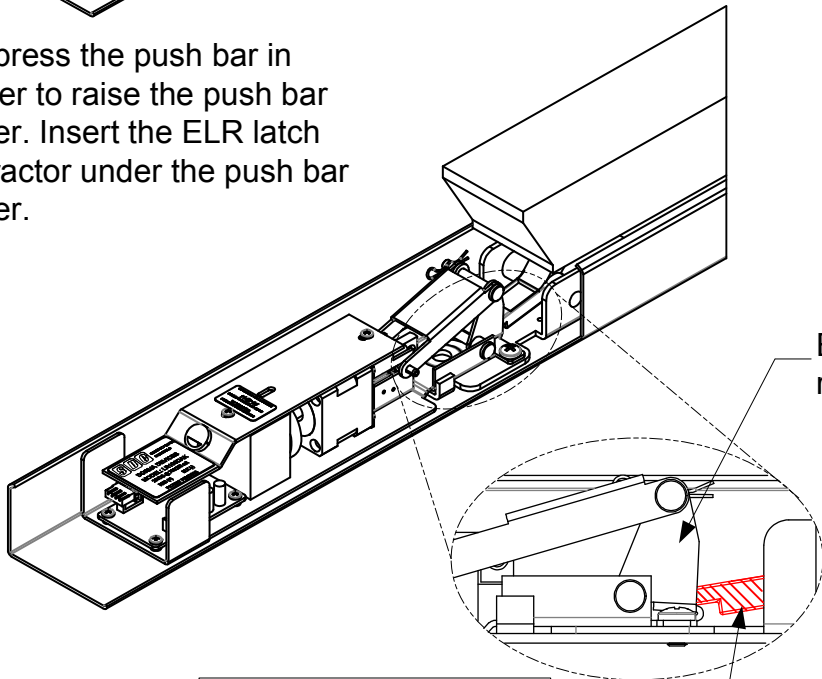
801 Avenida Acaso, Camarillo, Ca. 93012 • (805) 494-0622 •  
www.sdcsecurity.com • E-mail: service@sdsecurity.com

## INSTALLATION INSTRUCTIONS LR100DAK DORMA ELECTRIC LATCH RETRACTION DEVICE KIT MODELS: 9300 & 9400

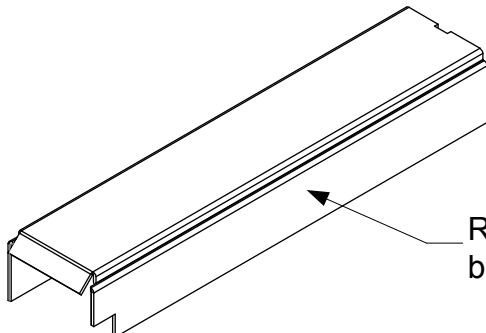
Remove the cover. If dogging is installed. Remove ALL dogging components and drill out the standoff and tap the 2 existing holes on the base plate for #8-32 thds. (also remove the allen wrench guide on the cover).



Depress the push bar in order to raise the push bar lever. Insert the ELR latch retractor under the push bar lever.



**Retrofit Installation Note:** 42" or 48" exit devices that have been modified to fit a 36" or smaller opening, may not have the required space to fit the standard E. L. R. assembly. Always verify the distance from the end of the touchpad to the end rail, and if necessary, consult with the factory for appropriate selection.



**ELECTRICAL DATA**  
24VDC @ 700/200mA  
RED (+)      BLK (-)  
PATENT #8,851,530

Any suggestions or comments to this instruction or product are welcome. Please contact us through our website or email [engineer@sdsecurity.com](mailto:engineer@sdsecurity.com)