

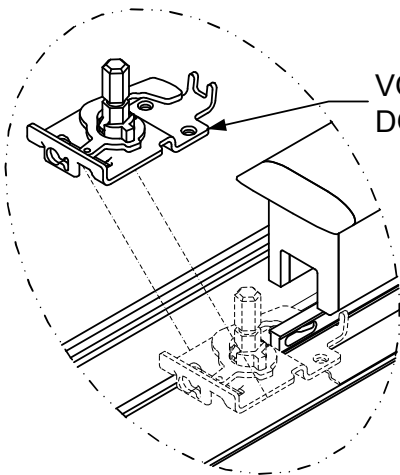
SDC Security Door Controls

801 Avenida Acaso, Camarillo, Ca. 93041 • (805) 494-0622 • Fax: (805) 494-8861
 www.sdcsecurity.com • E-mail: service@sdsecurity.com

INSTALLATION INSTRUCTIONS LR100VDK-EM-22 ELECTRIC LATCH RETRACTION EXTERNAL MODULE VON DUPRIN MODELS: 22 & 2227

Step 1

Remove Von Duprin installed mechanical dogging assembly.



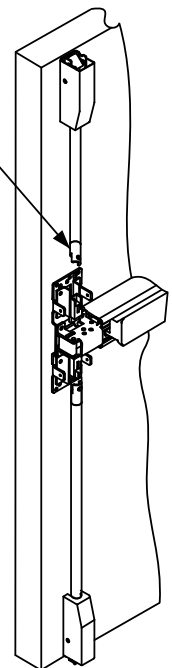
VON DUPRIN MECHANICAL DOGGING ASSEMBLY

ELECTRICAL DATA
 24VDC @ 700/200mA
 RED (+) BLK (-)
 PATENT #8,851,830

Disconnect vertical rods from the Device head

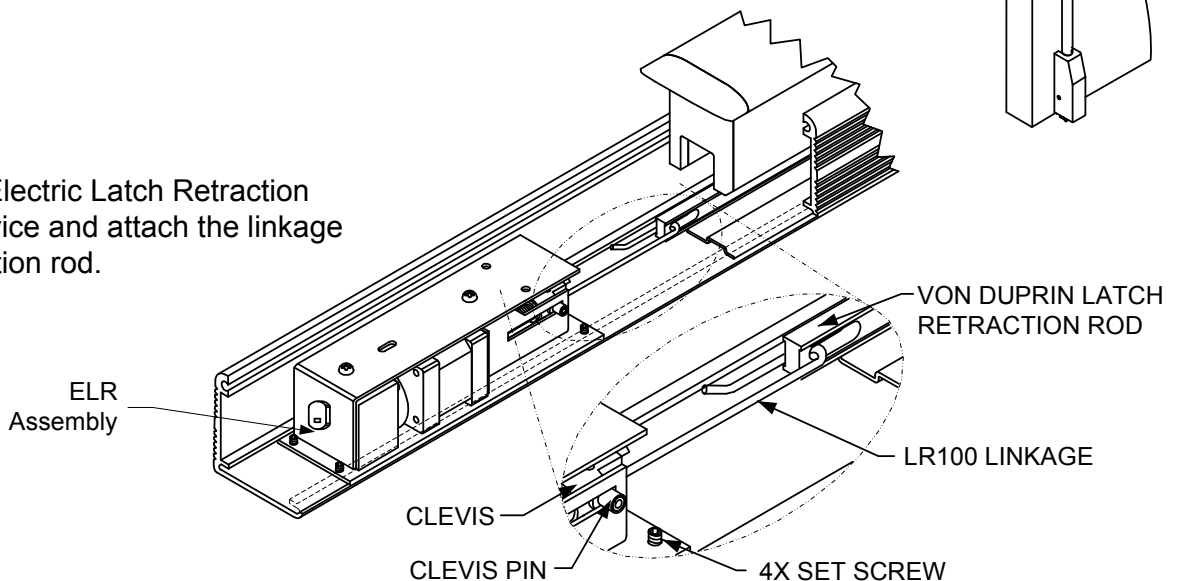
NOTE Retro-Fitting Vertical Rod Devices:

Before retro-fitting an electric latch assembly into a vertical device, the following must be done to ensure proper alignment. Disconnect the vertical rods from the device head. Install the electric latch assembly as shown above. Once the ELR is properly installed energize it so that the push pad is dogged down, by doing so it will allow for proper alignment for the vertical rods. Finally reconnect the vertical rods to the device and make the proper adjustments.



Step 2

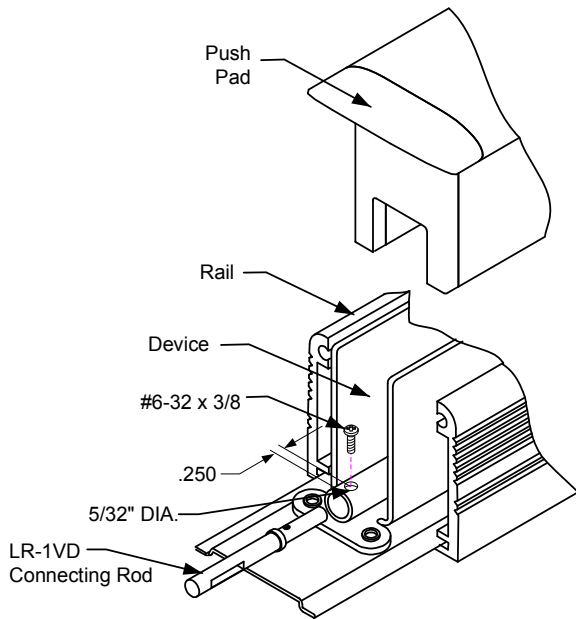
Slide the LR100 Electric Latch Retraction assembly into device and attach the linkage to the latch retraction rod.



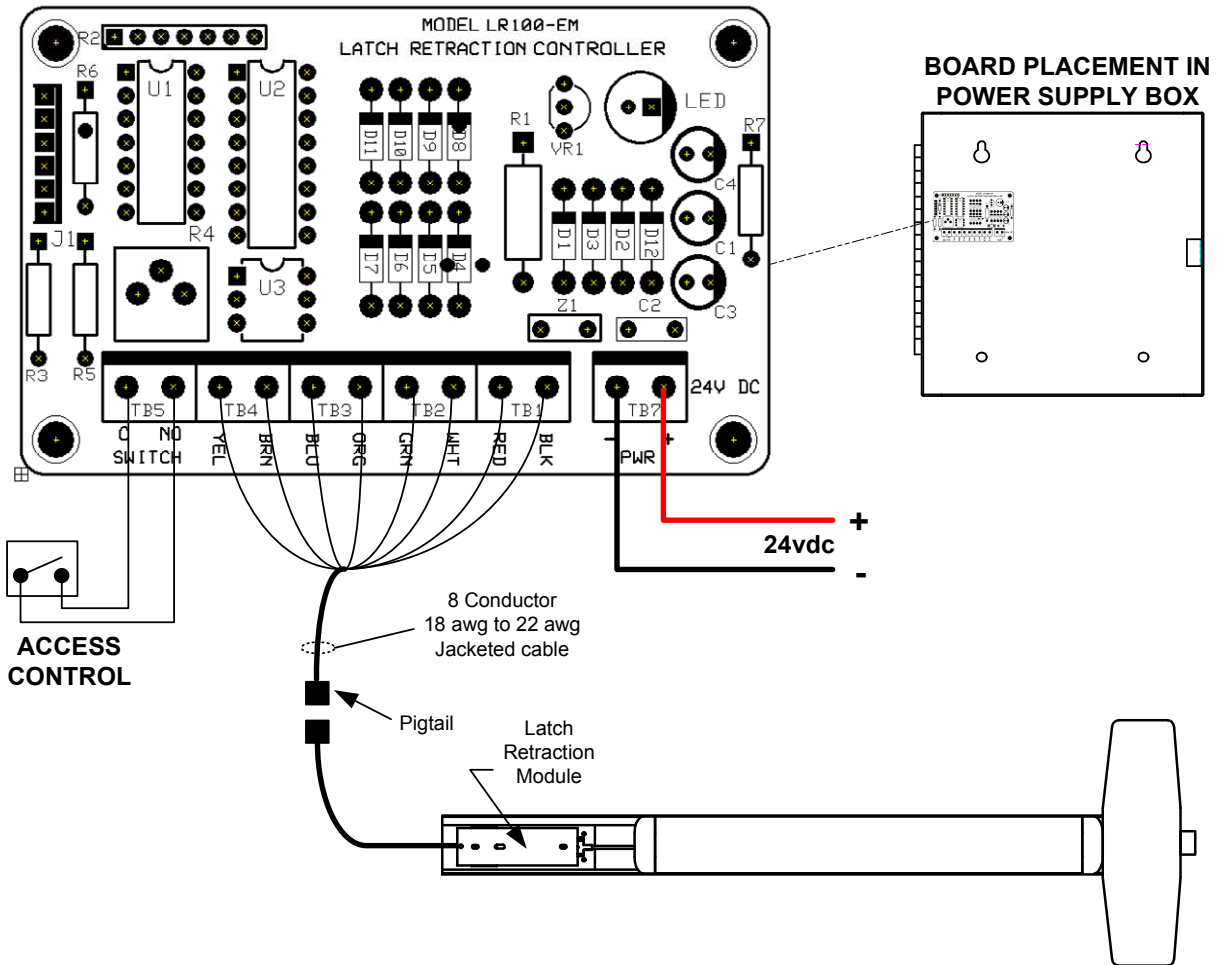
**INSTRUCTIONS CONTINUED
 ON BACK OF PAGE**

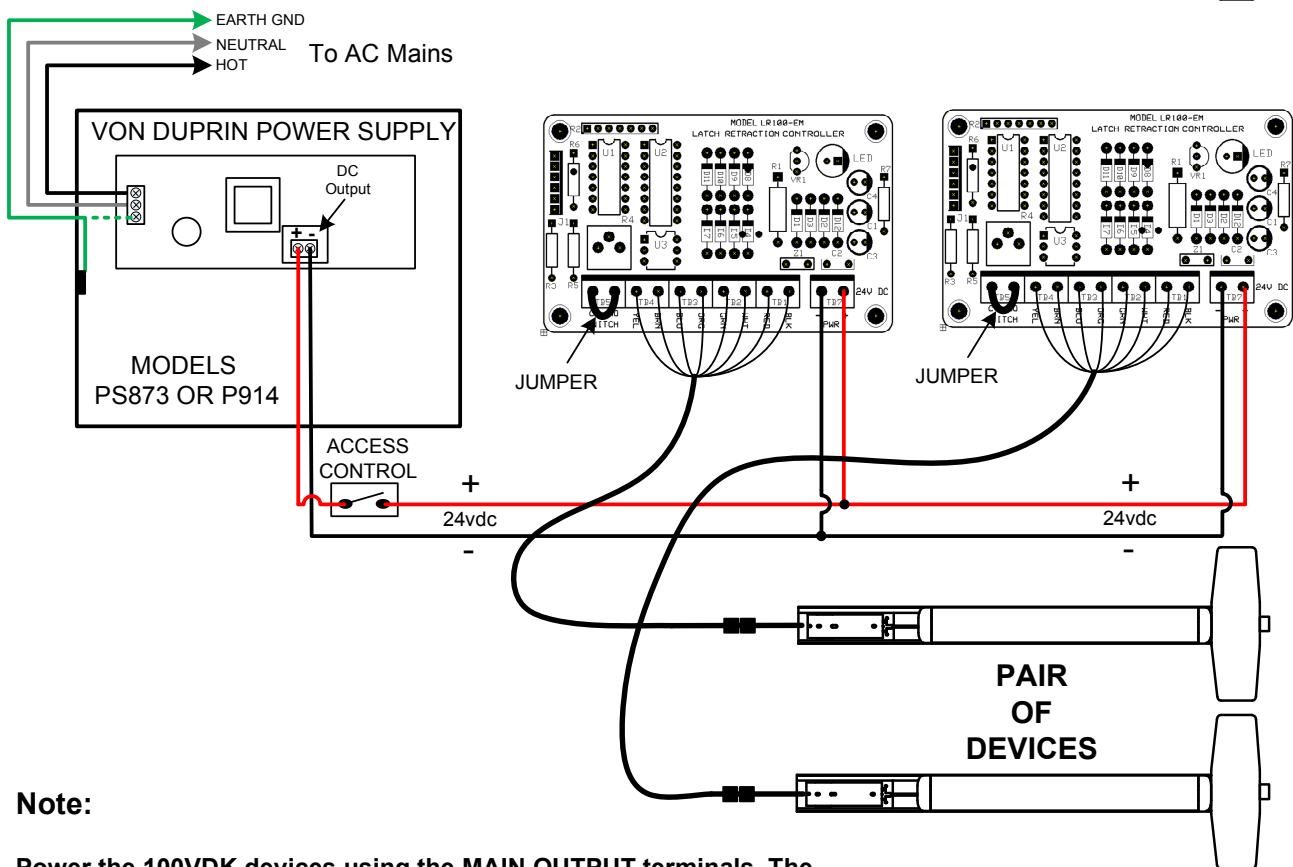
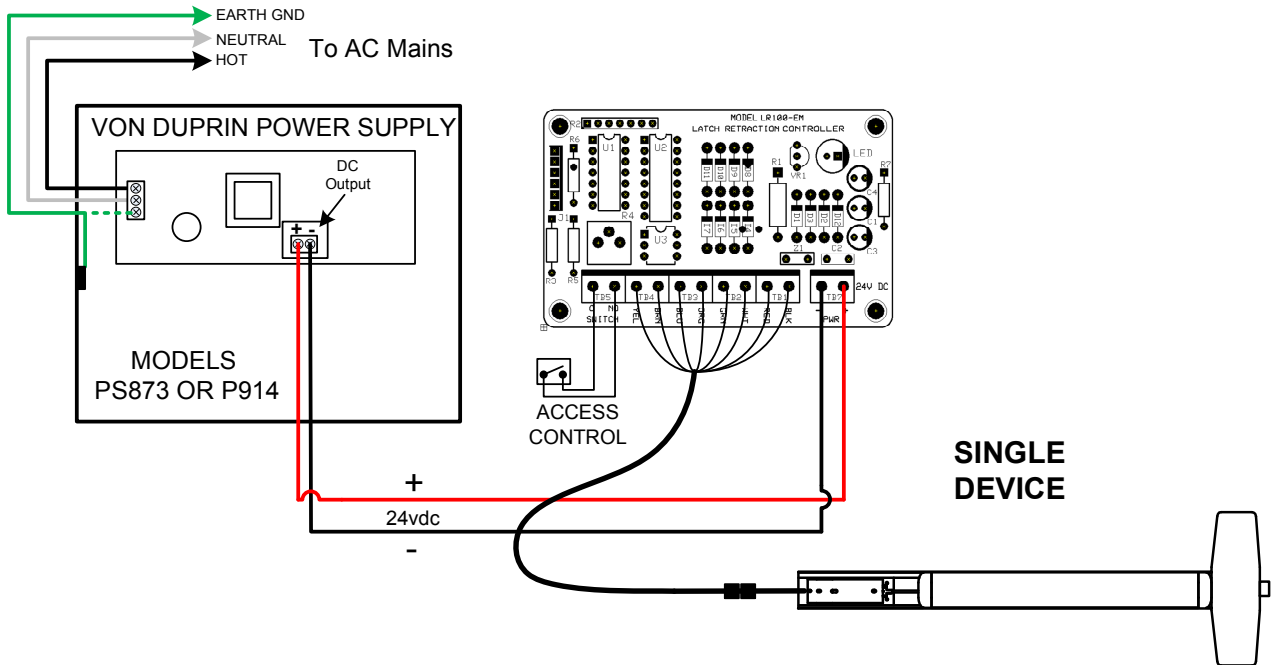
Any suggestions or comments to this instruction or product are welcome. Please contact us through our website or email engineer@sdsecurity.com

Step 1A INSTALLATION INSTRUCTIONS LR-1VD CONNECTING ROD FOR USE ON VON DUPRIN DEVICES WITHOUT DOGGING FEATURE



1. Remove the rail and push pad from the device
2. Drill a 5/32" (.156") diameter hole as shown in illustration.
3. Insert and attach the connecting rod with the #6-32 x 3/8" screw provided.
4. Refer to Pg. 1, Step 2 to continue.





Note:

Power the 100VDK devices using the MAIN OUTPUT terminals. The zone controller cards are not required and can damage the latch retraction units if used.

The low current draw of each device allows both devices to operate simultaneously without the need for a sequencer.