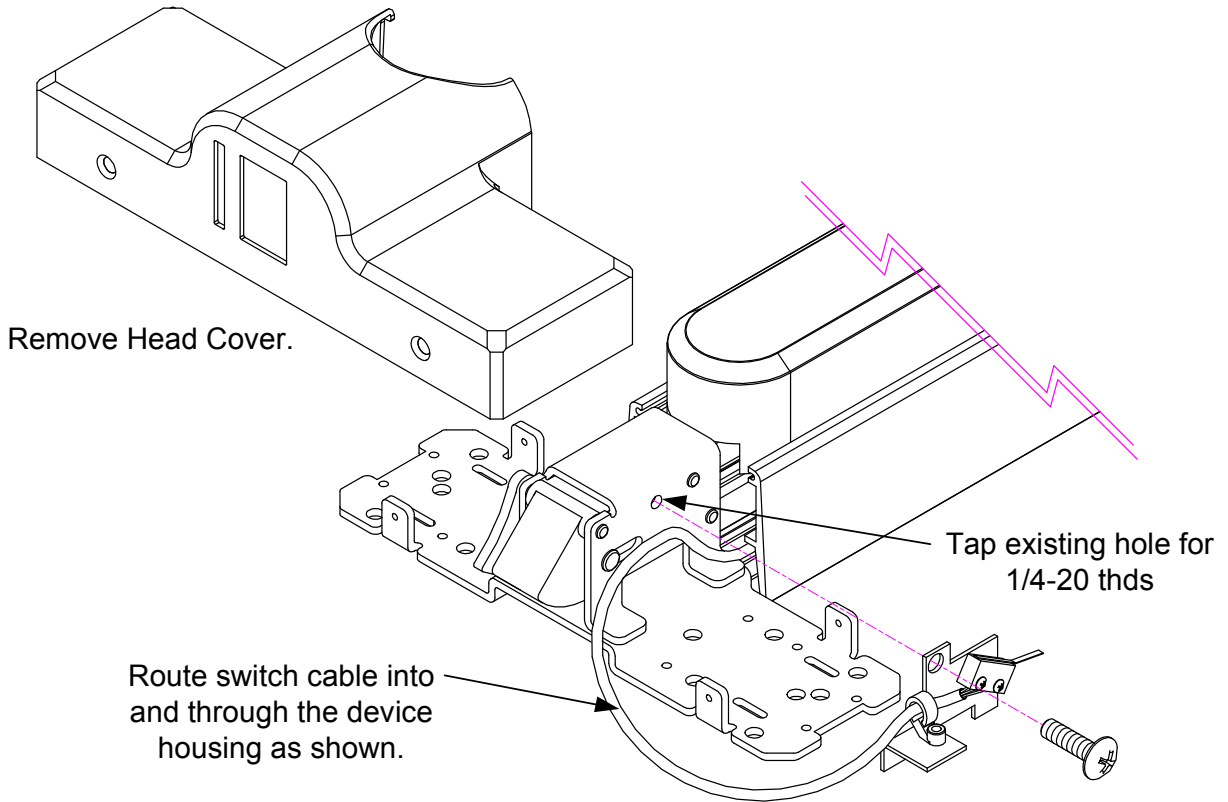


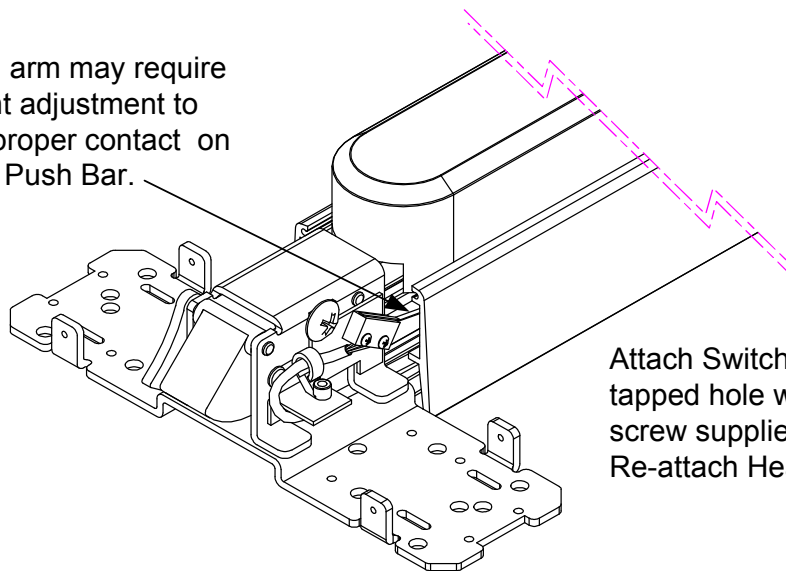
# **SDC** Security Door Controls

801 Avenida Acaso, Camarillo, Ca. 93012 • (805) 494-0622 •  
www.sdcsecurity.com • E-mail: service@sdsecurity.com

## **LRK2R INSTALLATION INSTRUCTIONS LATCH/REX SWITCH KIT**



Switch arm may require slight adjustment to make proper contact on Push Bar.



**WIRING**  
COM – WHT  
N/O – RED  
N/C - GRN

Attach Switch Assembly to tapped hole with the 1/4-20 screw supplied. Re-attach Head Cover.