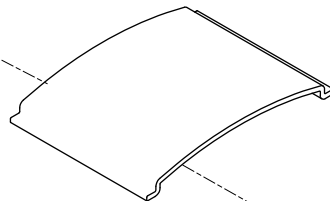
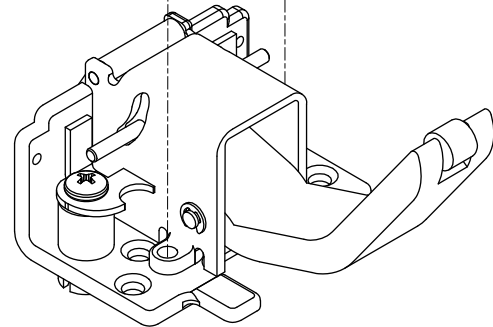
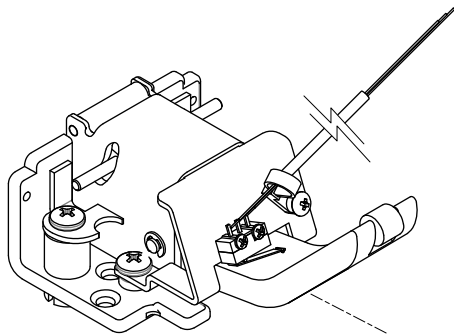
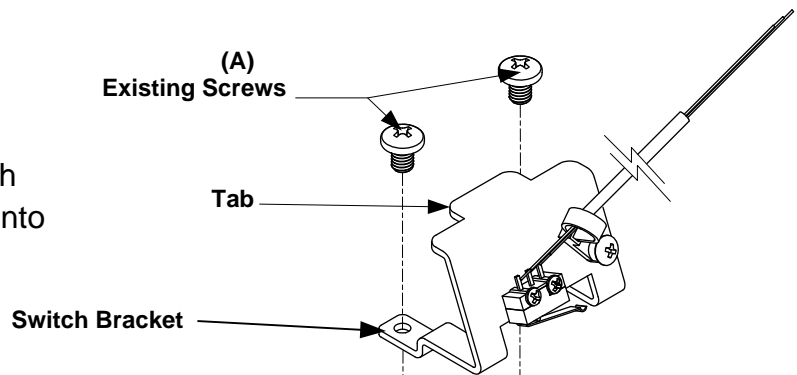


SDC SECURITY DOOR CONTROLS

801 Avenida Acaso, Camarillo, Ca. 93012 • (805) 494-0622 • Fax: (805) 494-8861
www.sdcsecurity.com • E-mail: service@sdsecurity.com

INSTALLATION INSTRUCTIONS LRKWK1L KAWNEER LATCH SWITCH KIT MODEL: 1786 RIM DEVICE

With the head cover off remove existing screws (A). Depress pad and install switch bracket. Making sure that the tab inserts into the head assembly. Re-install screws (A) through switch bracket.



Route wires cable along the side of the device. Make sure that it doesn't interfere with the normal operation of the touch pad.

WIRING DATA

WHT = COM
ORG = N/C
YEL = N/O

5AMP @ 125VAC
RESISTIVE

