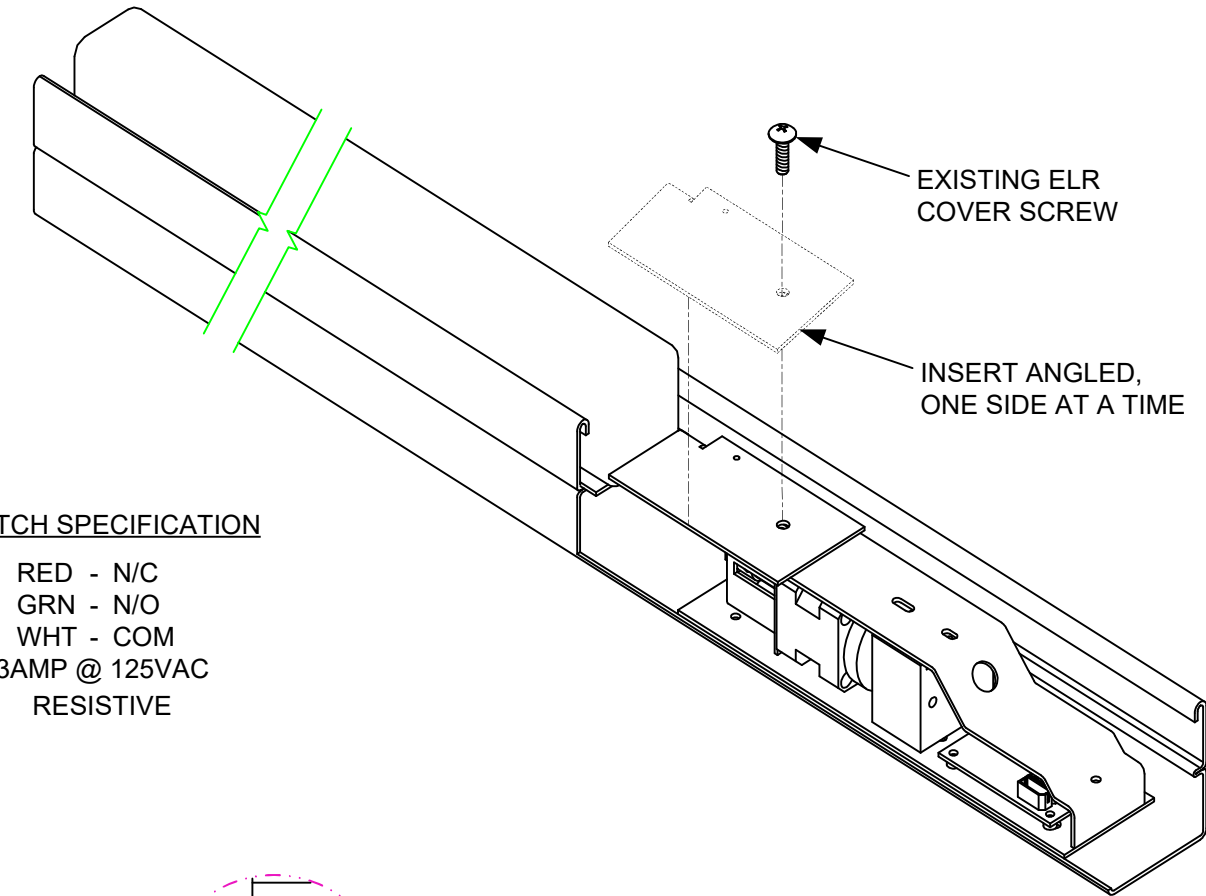




# INSTALLATION INSTRUCTIONS

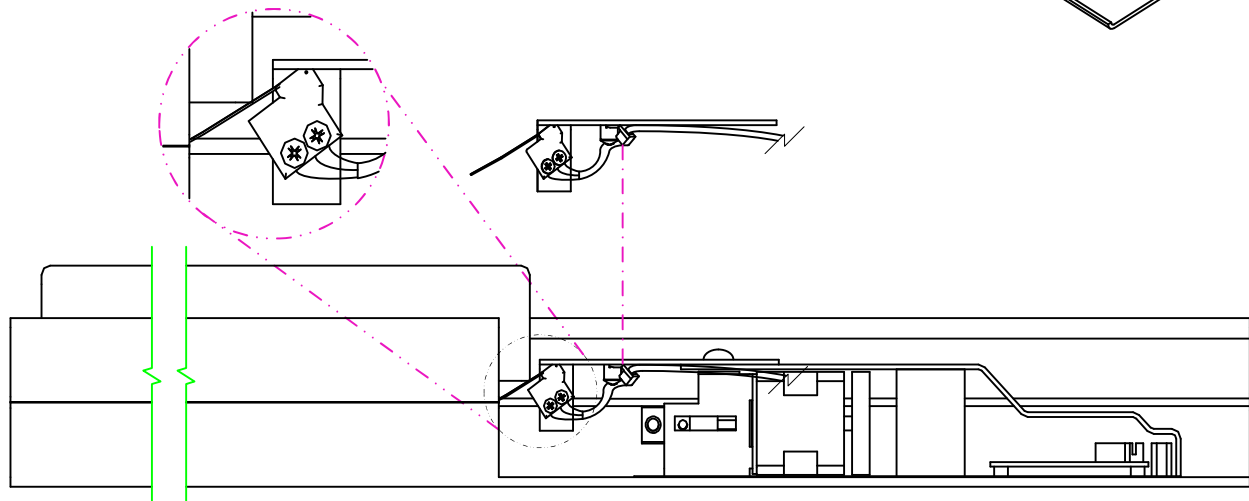
## LRVD2R VON DUPRIN REQUEST-TO-EXIT SWITCH KIT MODELS: 22 SERIES

Remove and retain the existing screw on the ELR cover. Route the REX switch kit wires along the inside of the extrusion taking care not to interfere with any of the ELR components. You must insert the REX switch kit into the exit device angled, one side at a time. Position the switch arm under the push pad and replace the ELR cover screw securing the switch kit in place.



### SWITCH SPECIFICATION

RED - N/C  
 GRN - N/O  
 WHT - COM  
 3AMP @ 125VAC  
 RESISTIVE



Any suggestions or comments to this instruction or product are welcome. Please contact us through our website or email [engineer@sdsecurity.com](mailto:engineer@sdsecurity.com)