

# SDC Security Door Controls

801 Avenida Acaso, Camarillo, Ca. 93012 • (805) 494-0622 •  
 www.sdcsecurity.com • E-mail: service@sdsecurity.com

## INSTALLATION INSTRUCTIONS PR-1000 POWER REGULATOR

The SDC PR-1000 Power Regulator reduces the power consumption of the bolt locks after activation of the lock. This allows for a heat reduction to the bolt lock. A dimension of 3.75" x 1.25" x .50" is required when mounted in frame.

The SDC PR1000 works specifically with the following locks:

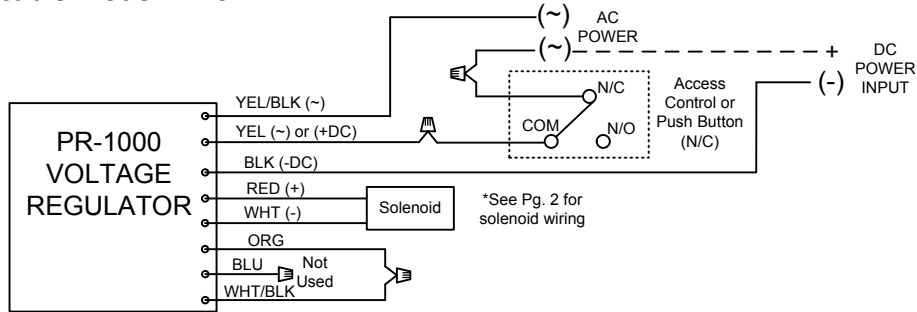
**FS23M, 1091A/ADL, 1291A, 1190A, 1490A, 2490A, 110, 210, 160, 260, 180 and 280 Bolt Locks only.**

Refer to your specific model's installation instructions for wiring details.

**PR1000 Input Voltage:** 12/24 VDC/AC (+/-10%) **NOTE:** 1190A will operate at 24VDC only. DC voltage is recommended for optimal performance

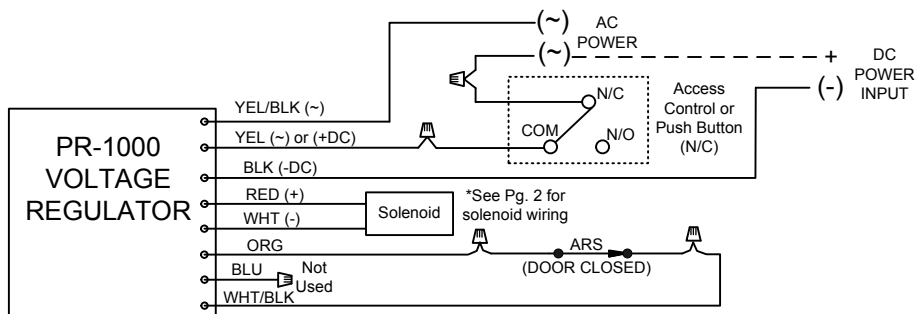
### (A) Fail-safe less Auto Relock Switch (ARS)

Applicable Model: 110



### (B) Fail-safe (with ARS)

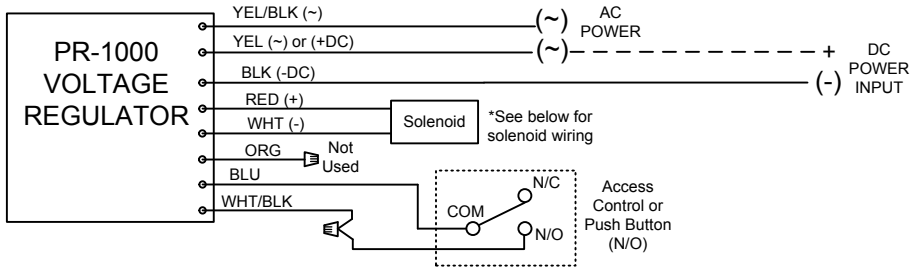
Applicable Model(s): 160, FS23M, 1091A/ADL, 1190A, 1490, 180



Any suggestions or comments to this instruction or product are welcome. Please contact us through our website or email [engineer@sdsecurity.com](mailto:engineer@sdsecurity.com)

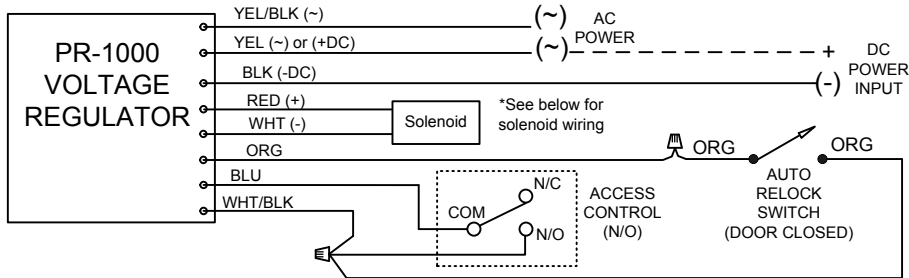
(A) Fail-secure less ARS

Applicable Model: 210

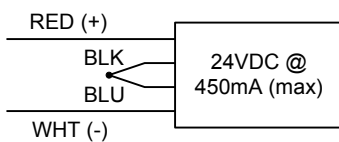


(B) Fail-secure (with ARS)

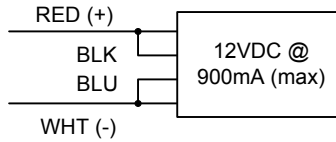
Applicable Model(s): 260, 1291A, 2490, 280



**24VDC SOLENOID CONFIGURATION**  
 (All models, except 1190A)



**12VDC SOLENOID CONFIGURATION**  
 (All models, except 1190A)



**24VDC ONLY SOLENOID CONFIGURATION**  
 (Models 1190A only)

