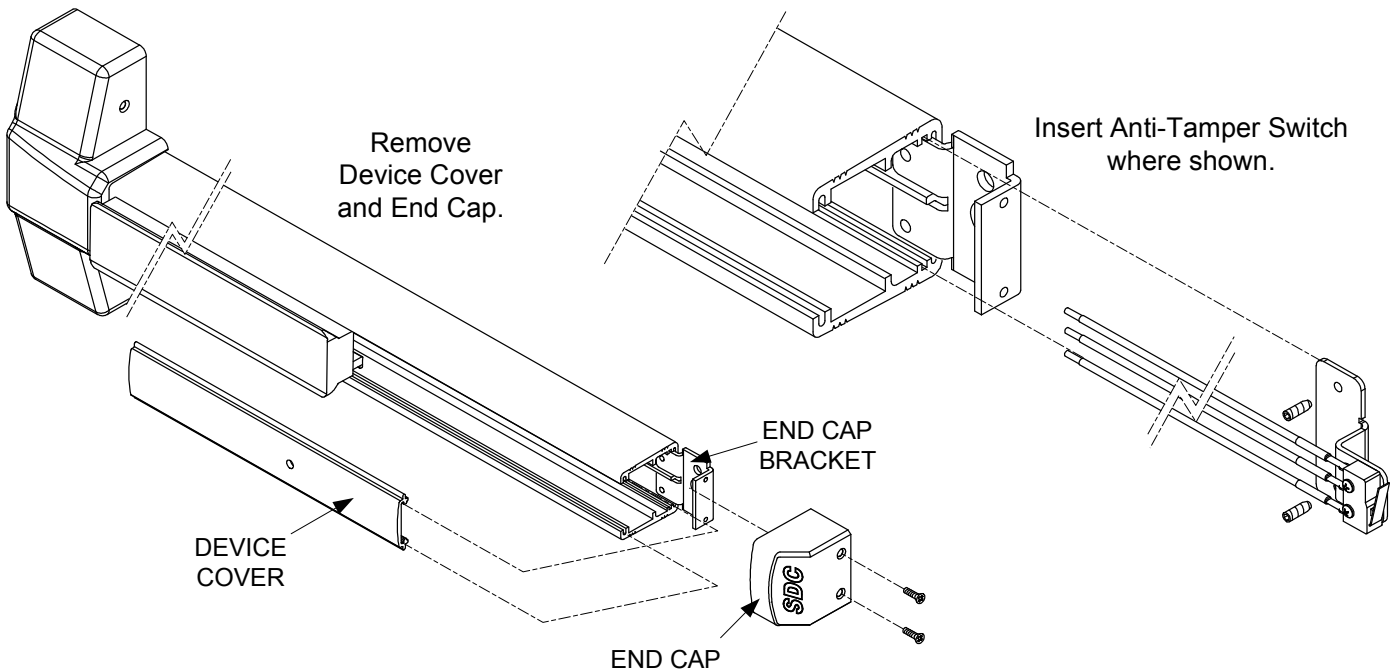


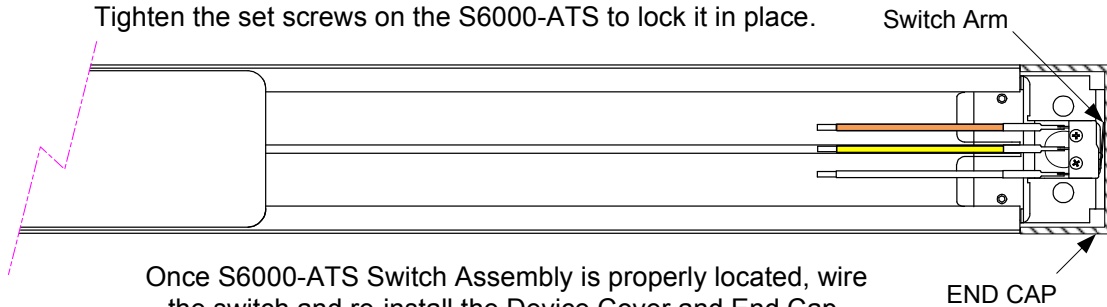
SDC Security Door Controls

801 Avenida Acaso, Camarillo, Ca. 93012 • (805) 494-0622 •
www.sdcsecurity.com • E-mail: service@sdsecurity.com

INSTALLATION INSTRUCTIONS S6000-ATS ANTI-TAMPER SWITCH KIT



Insert the S6000-ATS Assy. into the device. Slide the End Cap over the End Cap Bracket. Position the S6000-ATS Assy so the switch arm makes contact and is activated by the inside surface of the End Cap. Hold the S6000-ATS Assy. in place as you slide out the End Cap. Tighten the set screws on the S6000-ATS to lock it in place.



Once S6000-ATS Switch Assembly is properly located, wire the switch and re-install the Device Cover and End Cap.

Electrical Specifications:

WHT = COM
YEL = N/O
ORG = N/C
5AMPS @ 250V
Resistive

Any suggestions or comments to this instruction or product are welcome. Please contact us through our website or email engineer@sdsecurity.com