

System Components:

(1) **632RFX12VRXFB-4** – 2 Amp Regulated Power Supply w/ Fire Alarm Interface, 12VDC Output Module, & Fused Output Board.

(1) **IPDCE** – IP Pro™ Single Door Controller

(1) **IPDSE** – IP Pro™ Expansion Door Station

Choose (1) Electric Latch Retraction (ELR) Hardware Option per opening:

S6100E – Complete Rim Panic Device with ELR

LR100 Kit – Field or Factory installed ELR Kit. Refer to the SDC website for available brands & models.

Choose (1) Card Reader per opening:

IPRW – Indoor/Outdoor Proximity Card Reader

920PW – Single Gang Indoor/Outdoor Proximity Card Reader w/ integral Keypad

923PW – Frame mount Indoor/Outdoor Proximity Card Reader w/ integral Keypad

Choose (1) Power Transfer Device per opening:

PTH-4Q – 4-wire Power Transfer Hinge

PT-3V – Armored Door Cord with Termination Box

PT-5 – Heavy Duty Power Transfer Device, Concealed Mortise Mount

(1) **RB12V4-2** – Two 5Ah 12VDC Backup Batteries (Optional)

(1) **HID1346-10** – Ten Proximity Key Fobs (Optional)

© 2015 Security Door Controls Printed in U.S.A

PROJECT NAME: IP Pro 2-Door Applications	LOCATION:. --	TITLE: IP Pro™ 2-Door System with Electric Latch Retraction – Riser
---	------------------	--



Security Door Controls
801 Avenida Acaso
Camarillo, CA 93012
f 805.494.0622 – f 805.494.8861
www.sdcsecurity.com

NOTE: ALL WIRING MUST BE REVIEWED AND APPROVED BY THE PROJECT ENGINEER ASSIGNED TO THE LOCATION FOR ITS CORRECTNESS AND SUITABILITY FOR THE APPLICATION IN WHICH THE EQUIPMENT IS INSTALLED AND OPERATED. ALL WIRING MUST CONFORM TO NATIONAL, STATE, AND LOCAL CODES FOR CLASS 2 FIRE PROTECTION AND CONTROL DEVICES.

CONTACT:
service@sdsecurity.com

SO NO.:
--

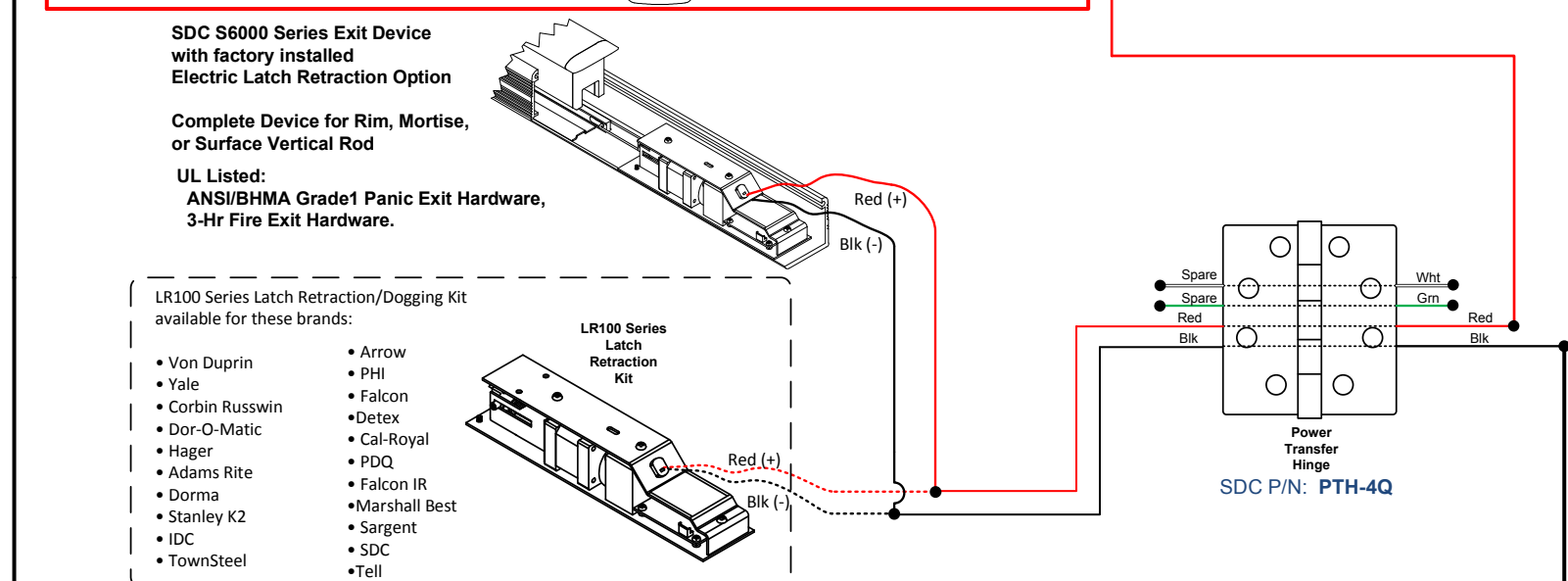
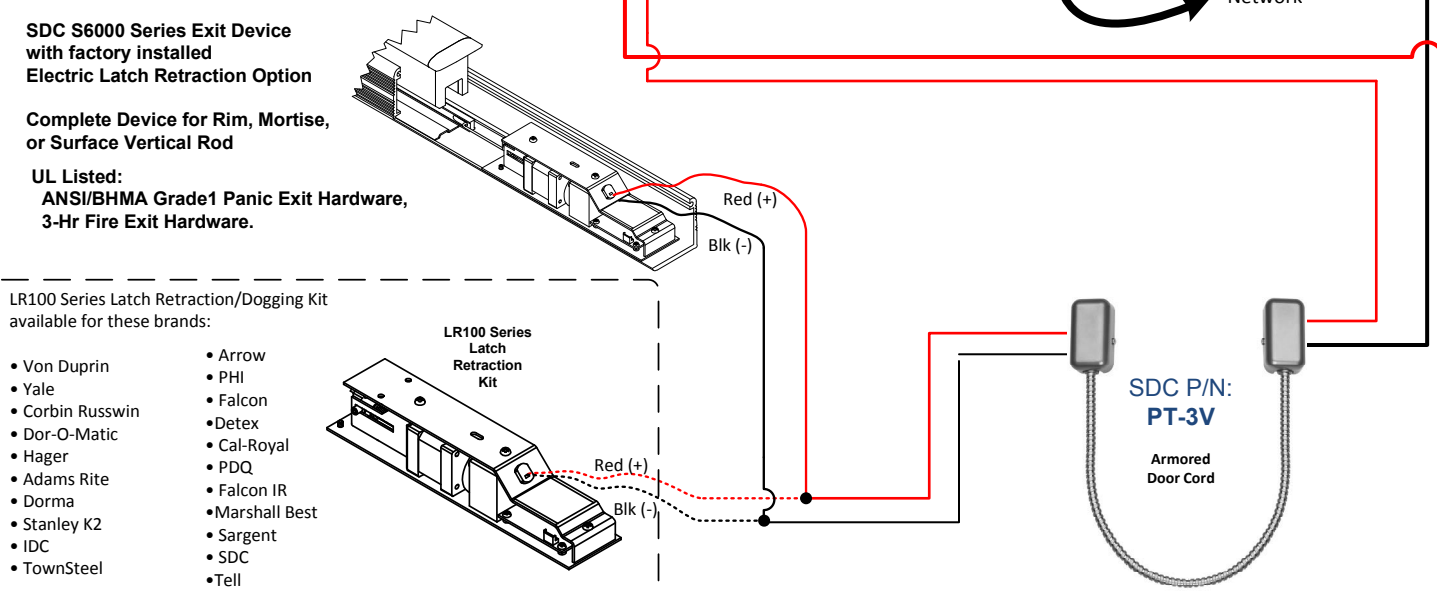
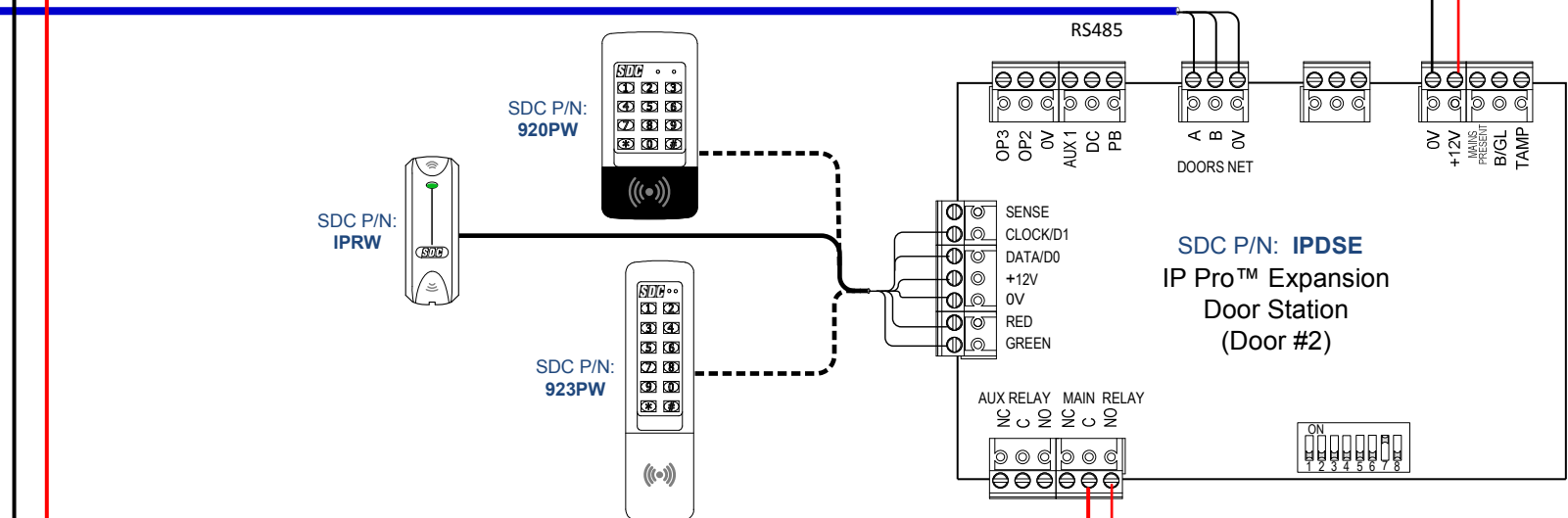
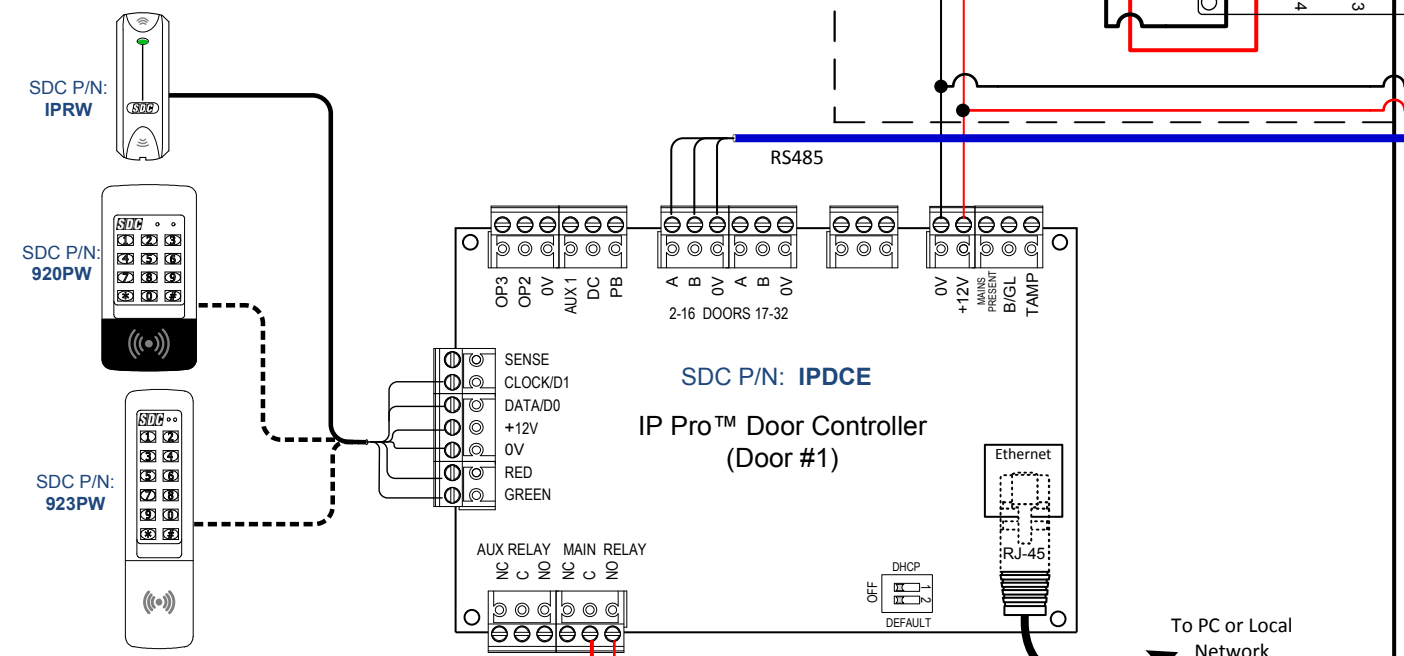
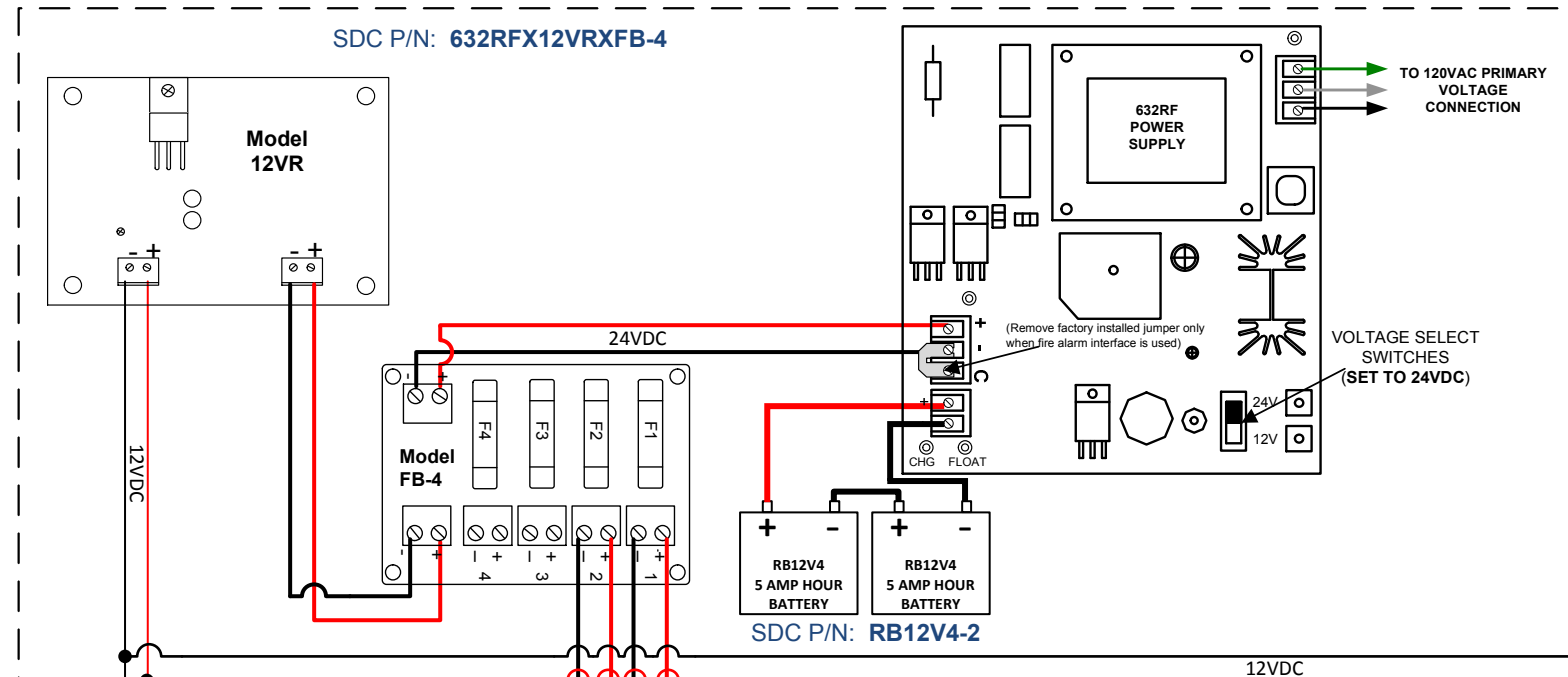
REV
--

DIST.:
--

DATE:
07/2015

DRAWN BY:
-

DWG. NO.:
--



© 2015 Security Door Controls Printed in U.S.A

Security Door Controls
 801 Avenida Acaso
 Camarillo, CA 93012
 f 805.494.0622 ~ f 805.494.8861
 www.sdcsecurity.com

NOTE: ALL WIRING MUST BE REVIEWED AND APPROVED BY THE PROJECT ENGINEER ASSIGNED TO THE LOCATION FOR ITS CORRECTNESS AND SUITABILITY FOR THE APPLICATION IN WHICH THE EQUIPMENT IS INSTALLED AND OPERATED. ALL WIRING MUST CONFORM TO NATIONAL, STATE, AND LOCAL CODES FOR CLASS 2 FIRE PROTECTION AND CONTROL DEVICES.

PROJECT NAME:
IP Pro 2-Door Applications

LOCATION: --

TITLE:
IP Pro™ 2-Door System with Electrified Locket Wiring

DIST.: -

CONTACT:
 service@sdsecurity.com

DATE:
 07/2015

DRAWN BY: -

SO NO.: -

REV: -

DWG. NO.:
 IPPRO Apps 2

Page 8 of 8