


Door #1

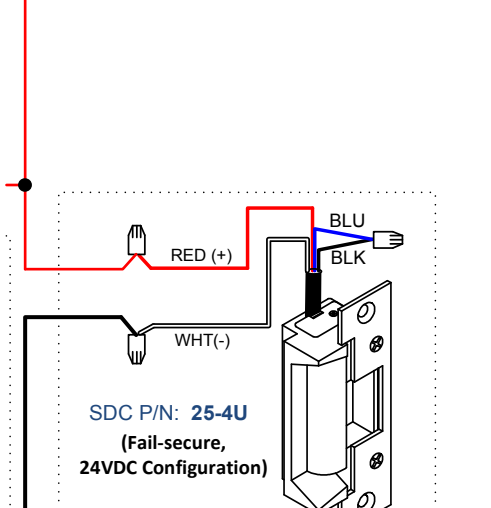
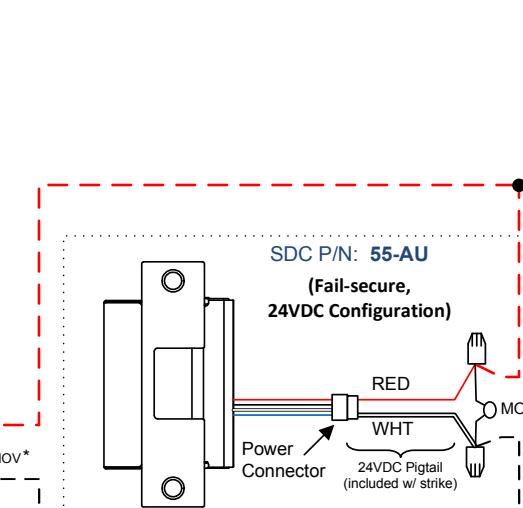
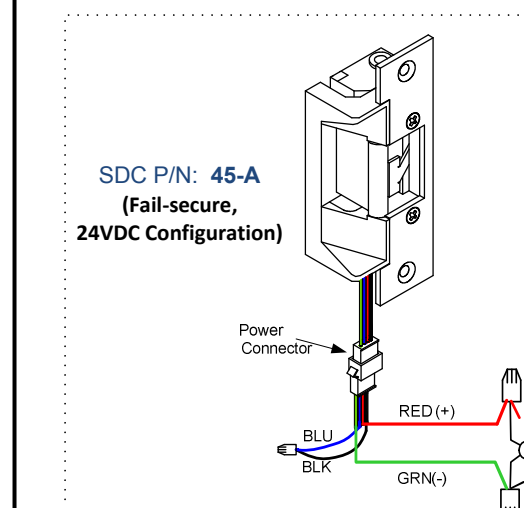
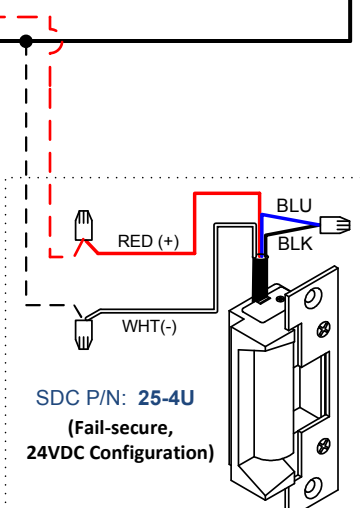
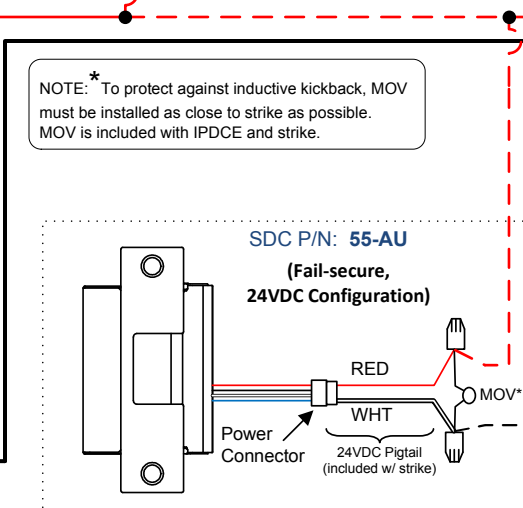
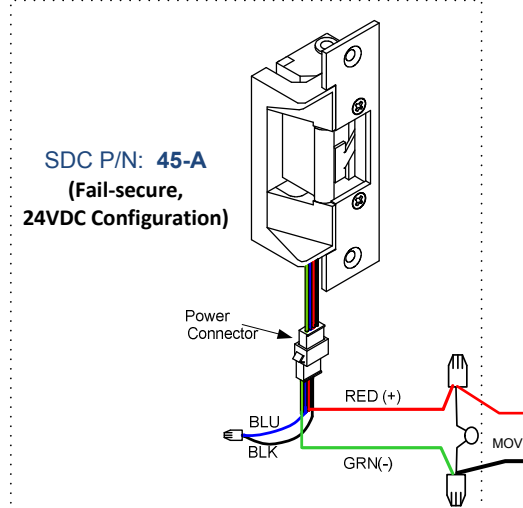
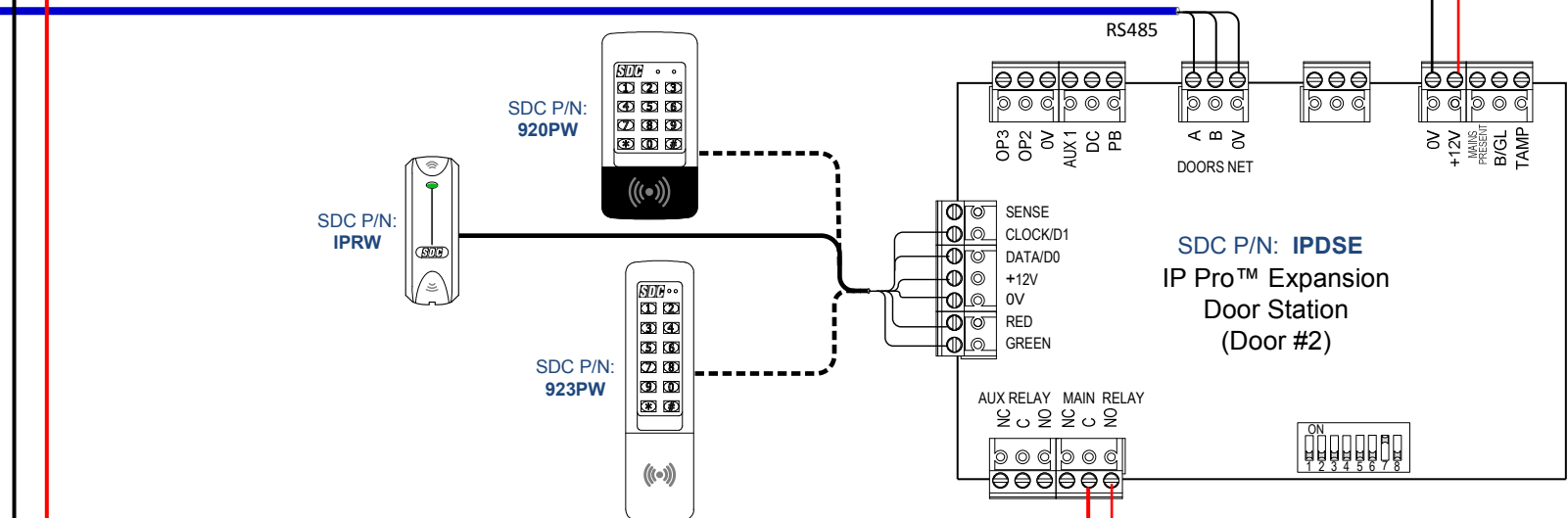
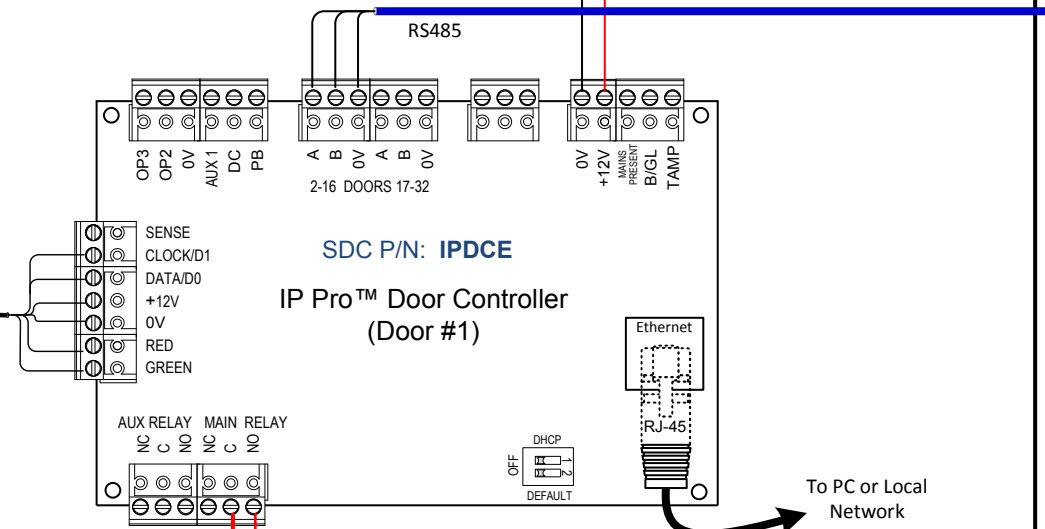
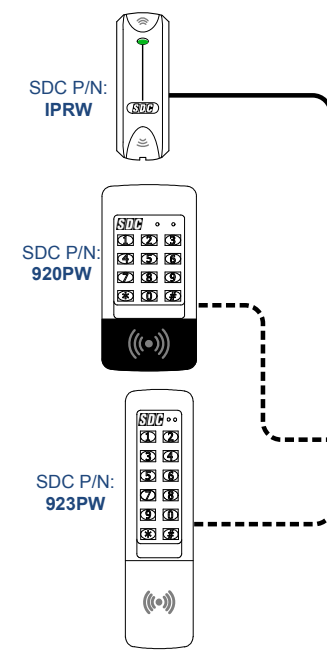
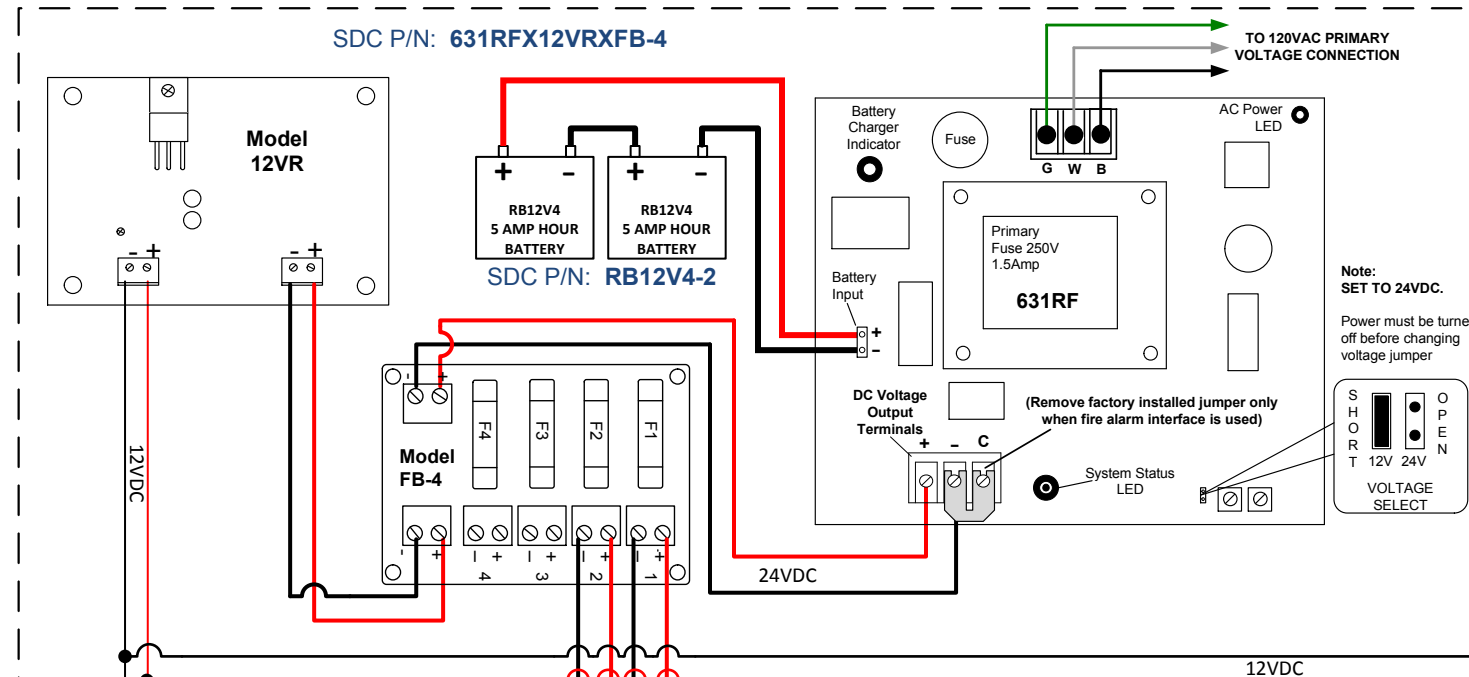
Door #2

System Components:

- (1) **631RFX12VRXFB-4** – 1.5 Amp Regulated Power Supply w/ Fire Alarm Interface, 12VDC Output Module, & Fused Output Board.
- (1) **IPDCE** – IP Pro™ Single Door Controller
- (1) **IPDSE** – IP Pro™ Expansion Door Station
- Choose (1) Electric Strike per opening:
 - 45-A** – Universal Electric Strike for use with locksets having up to 3/8" latchbolts, UL Listed, 630
 - 55-AU** – Universal Heavy-duty Grade 1 Strike for cylindrical locks, mortise locks without deadbolts and mortise exit devices
 - 25-4U** – Low-Profile Electric Strike, 630
- Choose (1) Card Reader per opening:
 - IPRW** – Indoor/Outdoor Proximity Card Reader
 - 920PW** – Single Gang Indoor/Outdoor Proximity Card Reader w/ integral Keypad
 - 923PW** – Frame mount Indoor/Outdoor Proximity Card Reader w/ integral Keypad
- (1) **RB12V4-2** – Two 5Ah 12VDC Backup Batteries (Optional)
- (1) **HID1346-10** – Ten Proximity Key Fobs (Optional)

© 2015 Security Door Controls Printed in U.S.A

PROJECT NAME: IP Pro 2-Door Applications		LOCATION: --	TITLE: IP Pro™ 2-Door System with Electric Strike – Riser				
 Security Door Controls 801 Avenida Acaso Camarillo, CA 93012 f 805.494.0622 ~ f 805.494.8861 www.sdcsecurity.com	NOTE: ALL WIRING MUST BE REVIEWED AND APPROVED BY THE PROJECT ENGINEER ASSIGNED TO THE LOCATION FOR ITS CORRECTNESS AND SUITABILITY FOR THE APPLICATION IN WHICH THE EQUIPMENT IS INSTALLED AND OPERATED. ALL WIRING MUST CONFORM TO NATIONAL, STATE, AND LOCAL CODES FOR CLASS 2 FIRE PROTECTION AND CONTROL DEVICES.			CONTACT: service@sdsecurity.com		SO NO.: --	REV --
	DIST.: --	DATE: 07/2015	DRAWN BY: -	DWG. NO.: --			



NOTE: * To protect against inductive kickback, MOV must be installed as close to strike as possible. MOV is included with IPDC and strike.

© 2015 Security Door Controls Printed in U.S.A

Security Door Controls 801 Avenida Acaso Camarillo, CA 93012 f 805.494.0622 ~ f 805.494.8861 www.sdcsecurity.com	NOTE: ALL WIRING MUST BE REVIEWED AND APPROVED BY THE PROJECT ENGINEER ASSIGNED TO THE LOCATION FOR ITS CORRECTNESS AND SUITABILITY FOR THE APPLICATION IN WHICH THE EQUIPMENT IS INSTALLED AND OPERATED. ALL WIRING MUST CONFORM TO NATIONAL, STATE, AND LOCAL CODES FOR CLASS 2 FIRE PROTECTION AND CONTROL DEVICES.	PROJECT NAME:	IP Pro™ 2-Door Applications			TITLE:	IP Pro™ 2-Door System with Electric Strike Wiring			SO NO.:	-	REV:	-
		LOCATION.:	--			DIST.:	-	CONTACT:	service@sdsecurity.com		DATE:	07/2015	DRAWN BY:
										DWG. NO.:	IPPRO Apps 2		Page 4 of 8