

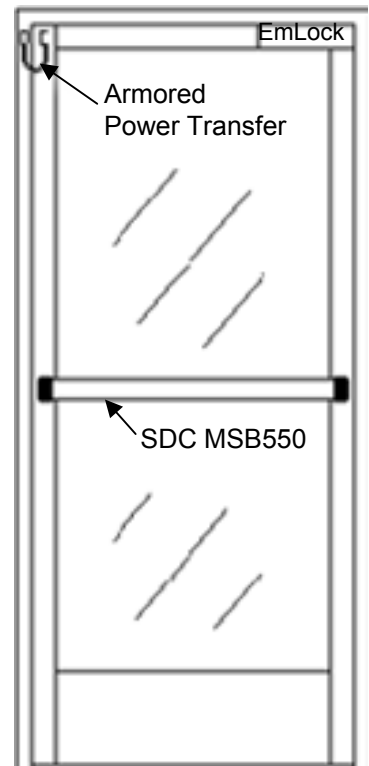
SDC Security Door Controls

801 Avenida Acaso, Camarillo, CA 93012 • (805) 494-0622 • Fax: (805) 494-8861
www.sdcsecurity.com • E-mail: service@sdsecurity.com

MSB550 MECHANICAL SWITCH BAR INSTALLATION INSTRUCTIONS

The MSB550 is a mechanical switch bar designed to release any magnetic lock with minimal pressure applied to bar and requires no prior knowledge or effort for free egress. The available standard lengths fit standard door openings of 36", 42" and 48" (with stops no greater than 5/8") without cutting.

1. Using a level, mark a horizontal center line at the standard 40" to 42" from the finished floor.
2. With the template provided, center punch all mounting holes and the wire hole by placing template on face of door against door jamb with door in closed position as illustrated in Figure A.
3. Using a 3/8" drill bit, drill four (4) mounting holes through the door and the one (1) wire mounting hole in the hinge side of the door.
4. Install the sex bolts provided from the outside of the door.
5. Install the bar mounting bracket to the latch side of the door using the 1/4-20 screws provided.
6. Insert the bar rail under the tab of the installed latch side bracket.
7. Position the bar against the door and install the second bar mounting bracket using the 1/4-20 mounting screws provided. Make sure the bar rail is located under the bracket's mounting tab.
8. NOTE: If bar length needs to be cut, install both mounting brackets on the door and measure between upright tabs on bracket for proper length of bar.
9. See Figure B for wiring connections.



FINAL ASSEMBLY AND TESTING

1. Turn on the power.
2. Depress the bar and verify proper operation.
3. Install the end caps with the 8-32 screws provided.



LISTED 4J82
BURGLARY - RESISTANT
ELECTRIC LOCKING MECHANISM
ACCESS CONTROL ACCESSORY

Devices are only to be installed in accordance with the applicable codes and local authorities having jurisdiction. These devices are not intended to replace Listed panic hardware.

FIG. "A"

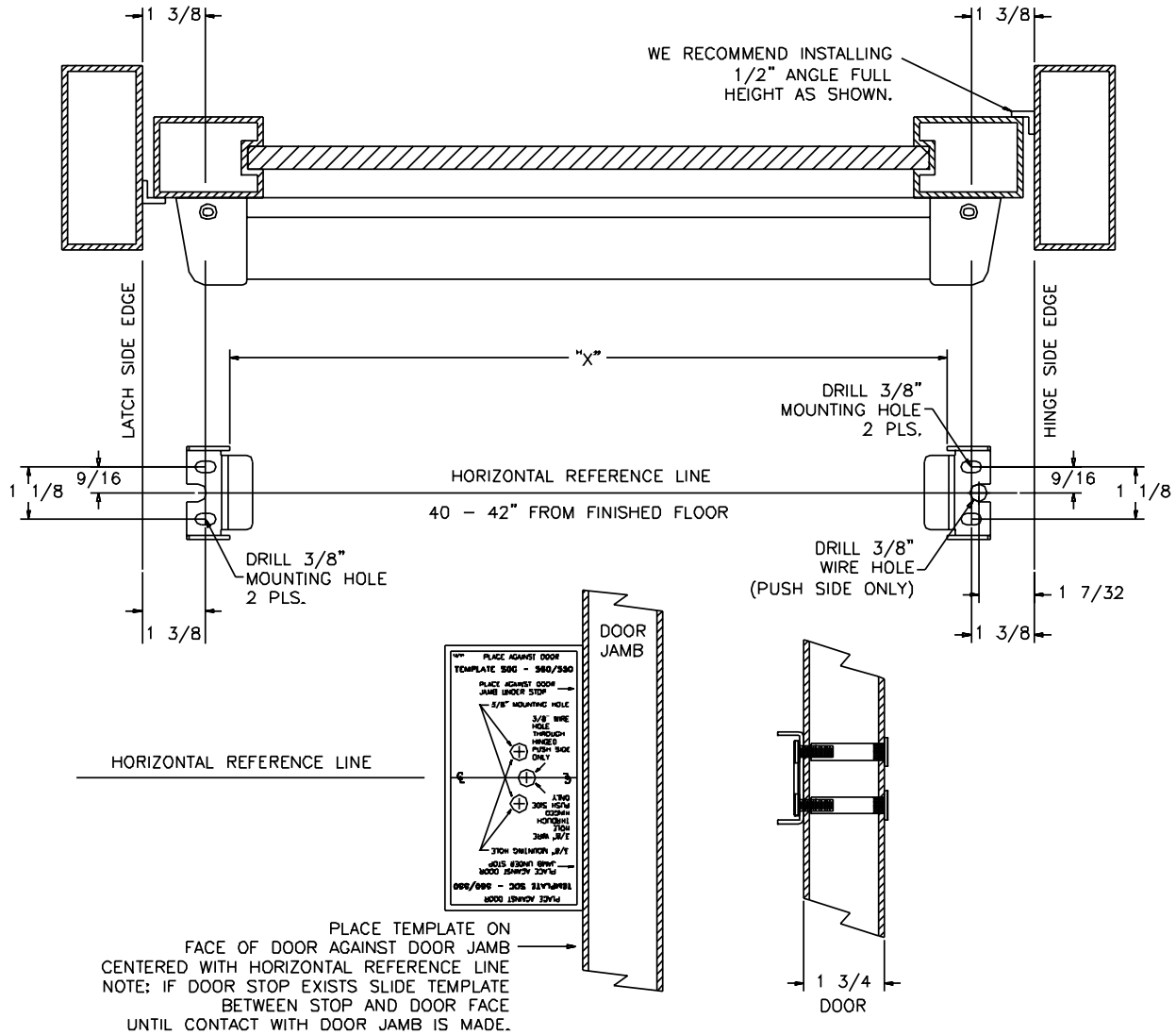


FIG. "B"

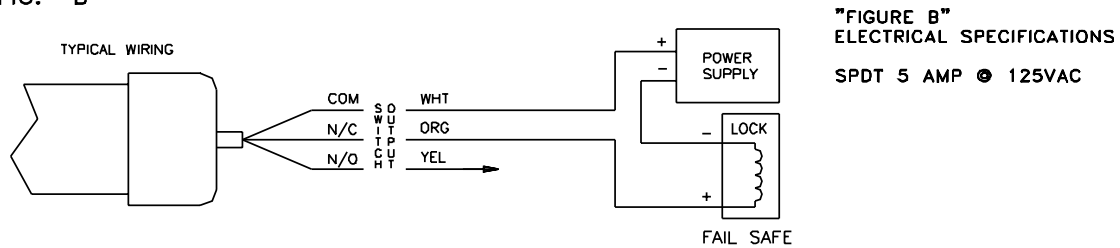


FIG. 1 VOLTAGE OUTPUT TO LOCK AND DRY SPDT AUXILIARY OUTPUT

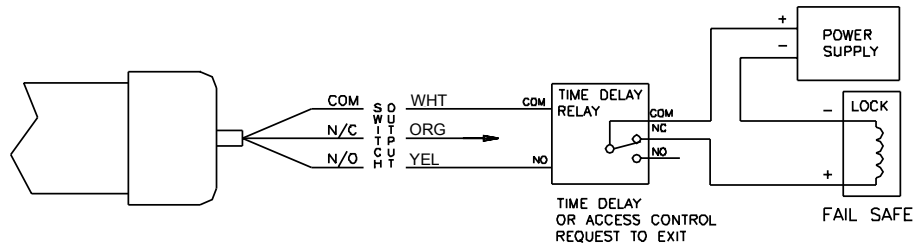


FIG. 2 DRY CONTACT OUTPUT TO TD OR ACCESS CONTROL AND DRY SPDT AUXILIARY OUTPUT

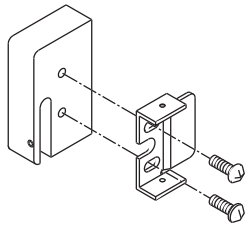


SECURITY DOOR CONTROLS

801 Avenida Acaso, Camarillo, CA 93012 • (805) 494-0622 • Fax: (805) 494-8861
www.sdcsecurity.com • E-mail: service@sdsecurity.com

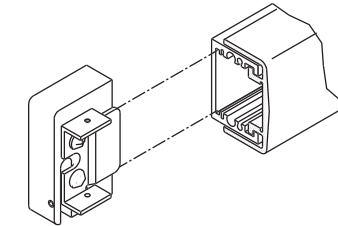
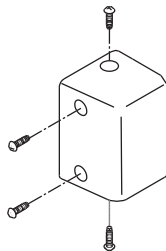
500GL - KIT GLASS MOUNT INSTALLATION MSB550/PSB560

Step 1



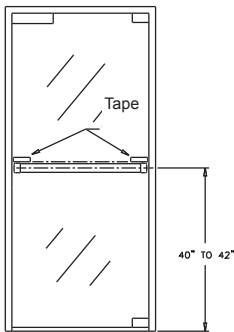
Attach bar mounting brackets to glass mounting base.

Step 2



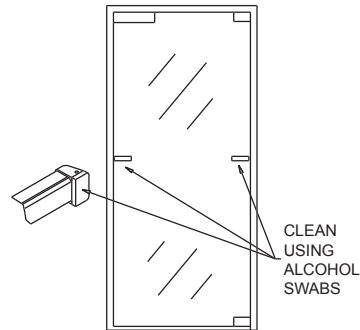
Secure glass mounting base assembly to each end of bar assembly. Secure plastic end caps to bar. Do not tighten all the way. (Loose fit during application will allow mounting blocks to be placed flat against the glass. Once mounting blocks adhere to glass, tighten screws completely after connecting power leads to device).

Step 3



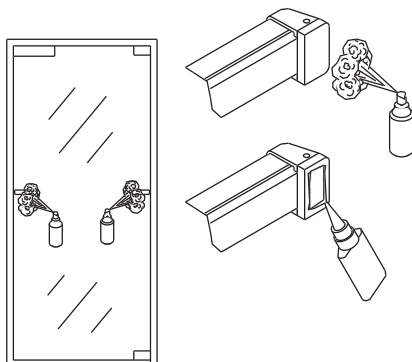
Using tape mark bar location on outside of glass door.

Step 4



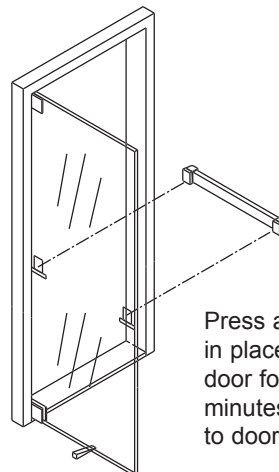
Clean glass and mounting blocks with alcohol swabs provided.

Step 5



Apply hardener primer to glass and blocks wait 3-5 minutes and apply adhesive to blocks only.

Step 6



Press and hold bar firmly in place against the glass door for approximately 3 minutes until bar is secure to door.