

The Exit Check® All-In-One device integrates our premium Spectra™ bar with SDCs innovative delayed egress electronics. When unauthorized egress is initiated by depressing the push pad of the S6000-101, an audible alarm will sound and an irreversible delay period of 15 seconds will begin. After the delay period has expired, the device unlocks, permitting egress until the device is reset. In a life safety emergency, the device will immediately unlock upon loss of power or when powered by a fire control supervised power supply. **Door contact included for anti tailgate and door prop.**

Application include:

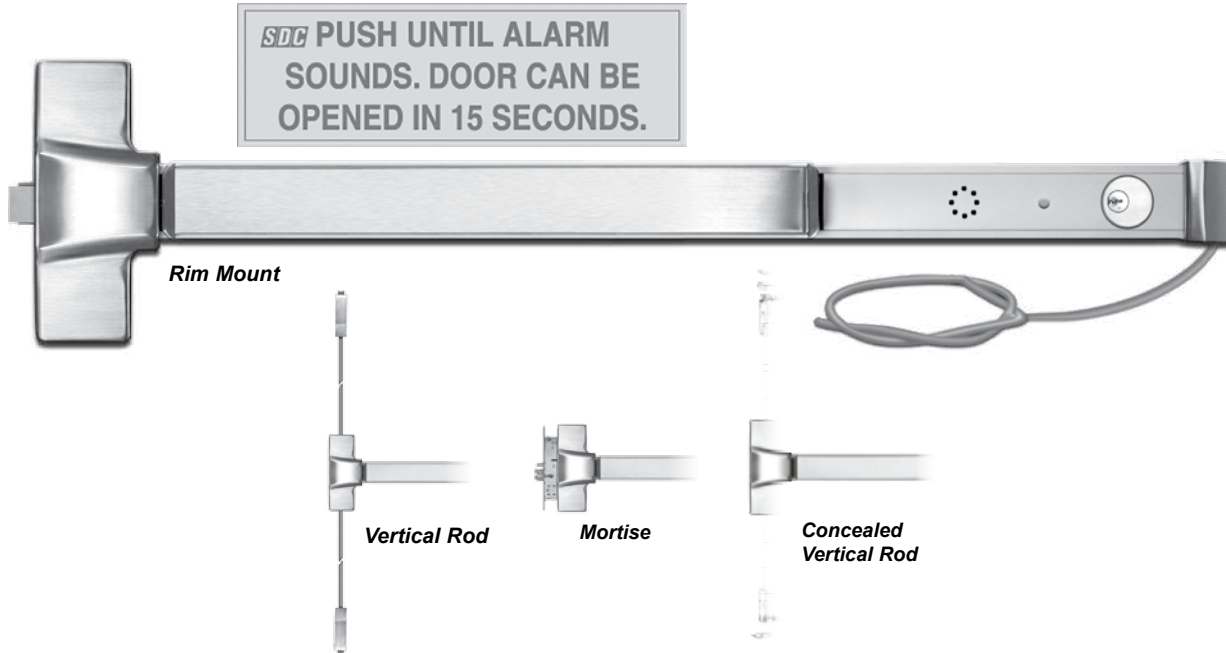
- Restricting the egress of wandering patients for their own safety
- Restricting the egress of commercial center patrons for security application needs
- Controlling pedestrian traffic in transportation facilities, including airport jetways and tarmacs
- Reducing shoplifting and employee theft



FWAX
SPECIAL LOCKING
ARRANGEMENTS

Single: 24VDC @ 540 mA

Pair: 24VDC @ 790 mA



SPECIFY DEVICE						LIST		
S61	Rim mount exit device					600.00		
S62	Surface Vertical - ROD GUARDS SUGGESTED					900.00		
S63	Mortise [03 Lever Trim included] - specify: <i>EE/GE Eclipse Escutcheon/Galaxy Escutcheon</i>					1100.00		
S68	Concealed Vertical					1000.00		
SPECIFY FUNCTION								
01	Exit Only	02	Dummy	03	Nightlatch	N/C		
SPECIFY PANIC OR FIRE RATED						Add to List		
P	Panic	N/C	F	Fire		110.00		
SPECIFY HAND (Mortise Only)								
RR	Right hand reverse bevel, RHRB	LR	Left hand reverse bevel, LHRB			N/C		
SPECIFY FINISH								
U	630 Dull Stainless Steel					N/C		
SPECIFY LENGTH						Add to List		
36	For 36" Door (standard)	N/C	42	For 42" Door	20.00	48	For 48" Door	40.00

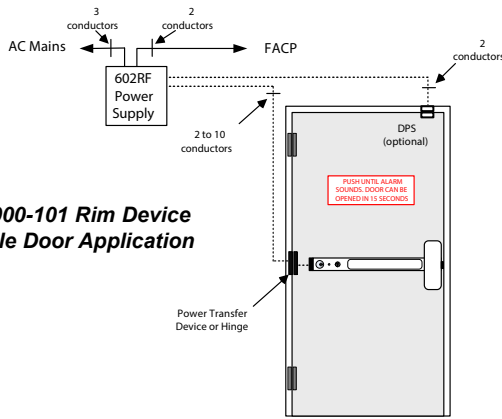


SECURITY DOOR CONTROLS
801 Avenida Acaso • Camarillo, CA 93012
Email: Service@sdcsecurity.com • www.sdcsecurity.com

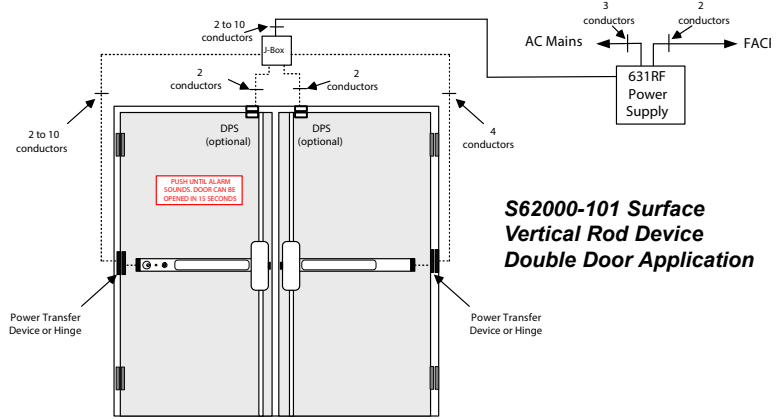
Price List Effective October 1, 2012

Exit Check® - Delayed Egress All-In-One Device

Distributor Discount Code **XK**



**S61000-101 Rim Device
Single Door Application**



**S62000-101 Surface
Vertical Rod Device
Double Door Application**

SPECIFY DELAYED EGRESS

Add to List

101	Electrification of master exit device and integrated controller with key switch control and reset, less cylinder	1350.00
DES	For pair of doors, additional exit device equipped with delayed egress mechanism, less integrated controller. Must be ordered together with 101 device.	500.00

SPECIFY OPERATION

NC	IBC, IFC, NFPA 101, NFPA 1-UFC, UBC, SBC Compliant Fixed 15 exit delay, 1/2 second nuisance delay Calif. Building Code OSHPD/Manual Power Up	N/C
ND	IBC, IFC, NFPA 101, NFPA 1-UFC, UBC, SBC Compliant Fixed 15 exit delay, 1/2 second nuisance delay	N/C
BC	BOCA National Building Code and Chicago Building Code 15 second fixed exit delay, 0 second nuisance delay, auto reset 30 seconds after door closure	N/C
BD	BOCA National Building Code 15 second fixed exit delay, 1/2 second nuisance delay, auto reset 30 seconds after door closure	N/C

SPECIFY TRIM (optional)

Add to List

Mechanical Trim (less cylinder)

EK03U	Eclipse Escutcheon	GK03U	Galaxy Escutcheon	225.00
--------------	--------------------	--------------	-------------------	---------------

Electric Trim

• Failsecure, field reversible to failsafe • 4 ft cable and connectors • 600/300 mA @ 12/24VDC

EKE03U	Eclipse style electric trim less mortise cylinder, Stainless Steel Finish	675.00
GKE03U	Galaxy style electric trim less mortise cylinder, Stainless Steel Finish	675.00

SPECIFY POWER TRANSFER

(For the entire line of Power Transfer, see pages 81 and 82)

LIST

PTM-10AL	(10) Cond., .5 Amp @ 12/24V AC/DV, Alum US28	358.00	PTH-10Q	(10) Cond., .1 Amp @ 12/24V per pair, 4.5" x 4.5"	195.00
PT-5	UL Listed Concealed Power Transfer Device, less wires	60.00	PT-3V	Armored flex conduit, less wires, with wire junction box	45.00

SPECIFY POWER SUPPLY

(For the entire line of Power Supplies, see page 65)

LIST

602RF	1 Amp, class 2 output, 12" W x 12" H x 3.75" D box	260.00
631RF	1.5 Amp, class 2 output, 12" W x 12" H x 3.75" D box	350.00

Note: 600 series Power Supply required with S6000-101 for UL listing

Price List Effective October 1, 2012



EK



GK



EKE



GKE



PTM Series



**PTH x 5
Ft Cable**



PT5



PT-3V



**602RF
(shown)**

**600 Series
Power Supply**

Exit Devices

SECURITY DOOR CONTROLS
801 Avenida Acaso • Camarillo, CA 93012
Email: Service@sdsecurity.com • www.sdsecurity.com

