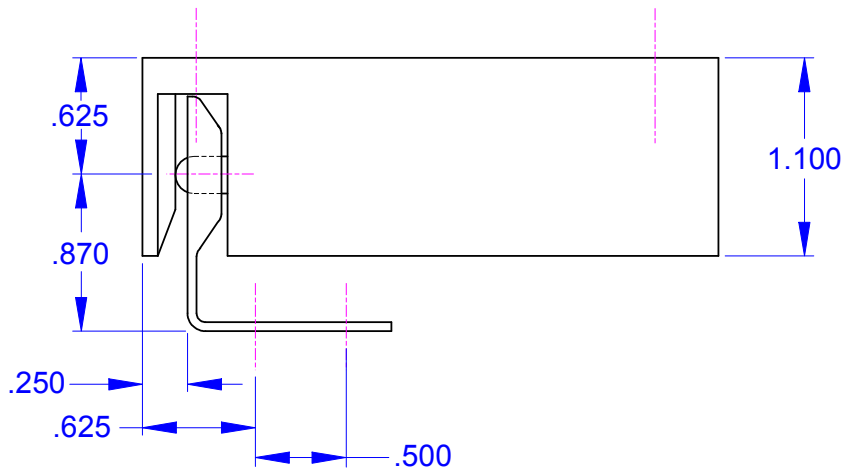
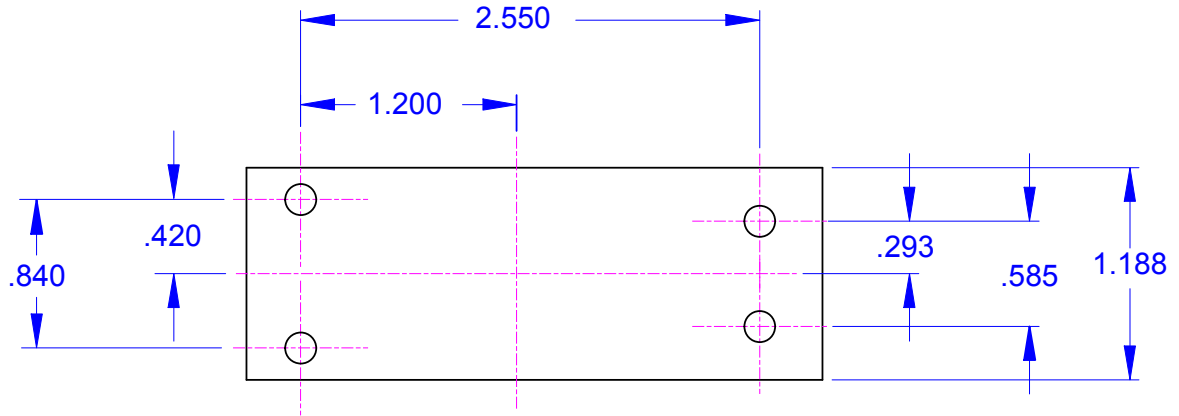


290 CABINET LOCK MOUNTING TEMPLATE



DRAWING MAY NOT BE TO SCALE.
USE DIMENSIONAL CALL-OUTS ONLY.