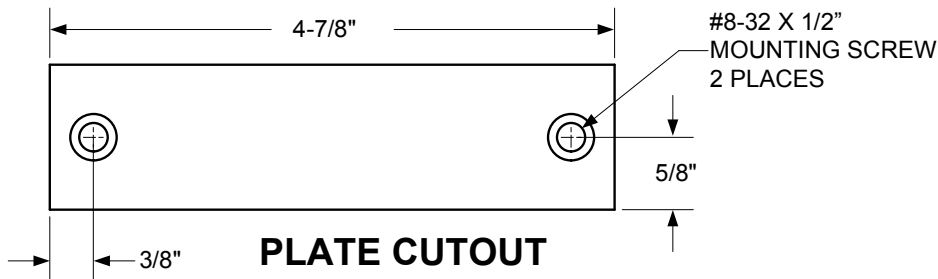
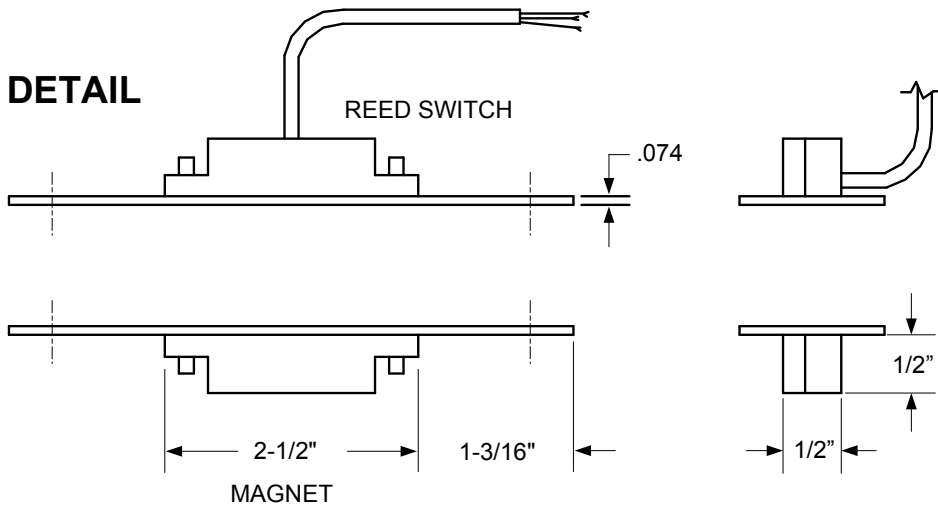
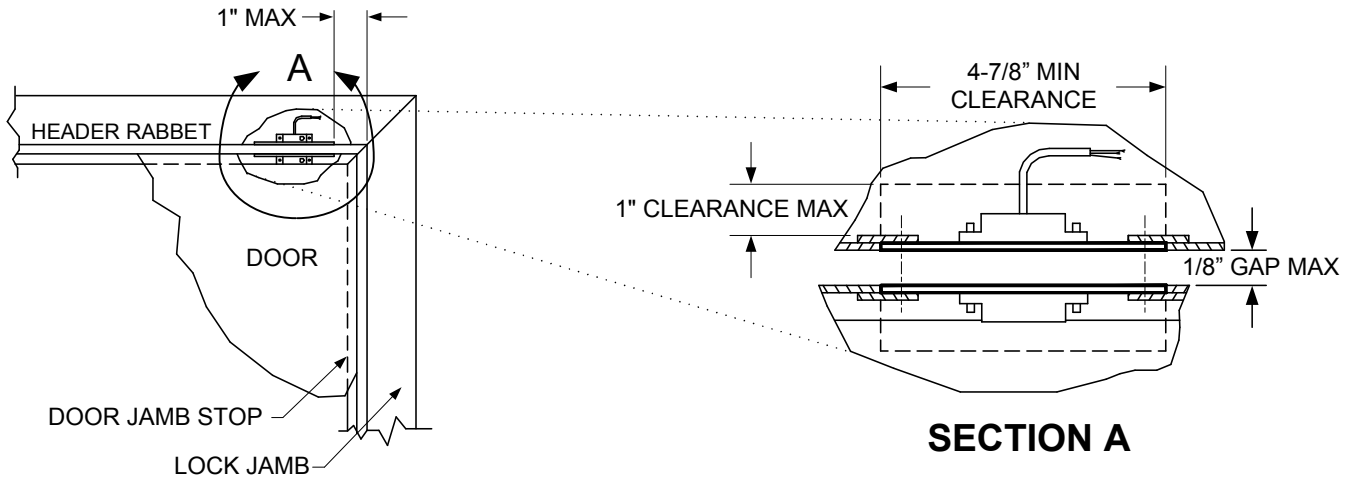


SDC Security Door Controls

801 Avenida Acaso, Camarillo, Ca. 93041 • (805) 494-0622 • Fax: (805) 494-8861
 www.sdcsecurity.com • E-mail: service@sdsecurity.com

TEMPLATE MC-4MV



ELECTRICAL DATA
 BLACK – COMMON
 RED – N/C
 WHITE – N/O
 (DOOR CLOSED POSITION)

Any suggestions or comments to this instruction or product are welcome. Please contact us through our website or email engineer@sdsecurity.com