



Security Door Controls

801 Avenida Acaso, Camarillo, Ca. 93012 • (805) 494-0622 • Fax: (805) 494-8861
www.sdcsecurity.com • E-mail: service@sdsecurity.com

TEMPLATE PT-5 CONCEALED POWER TRANSFER

NOTE: Due to various manufacturing techniques, these dimensions may fluctuate slightly. The field installer should double check these dimensions against the actual component.

FRAME PREPARATION

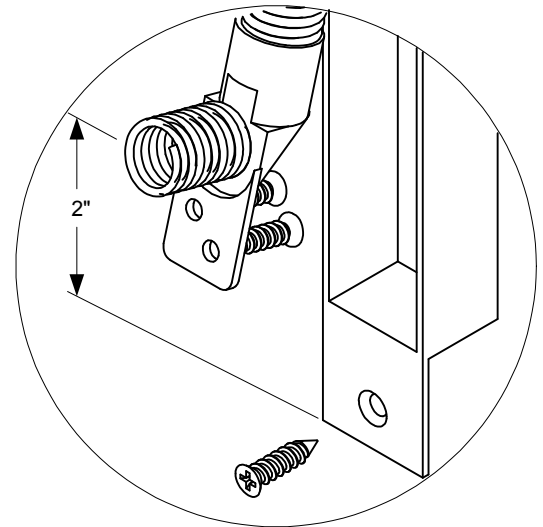
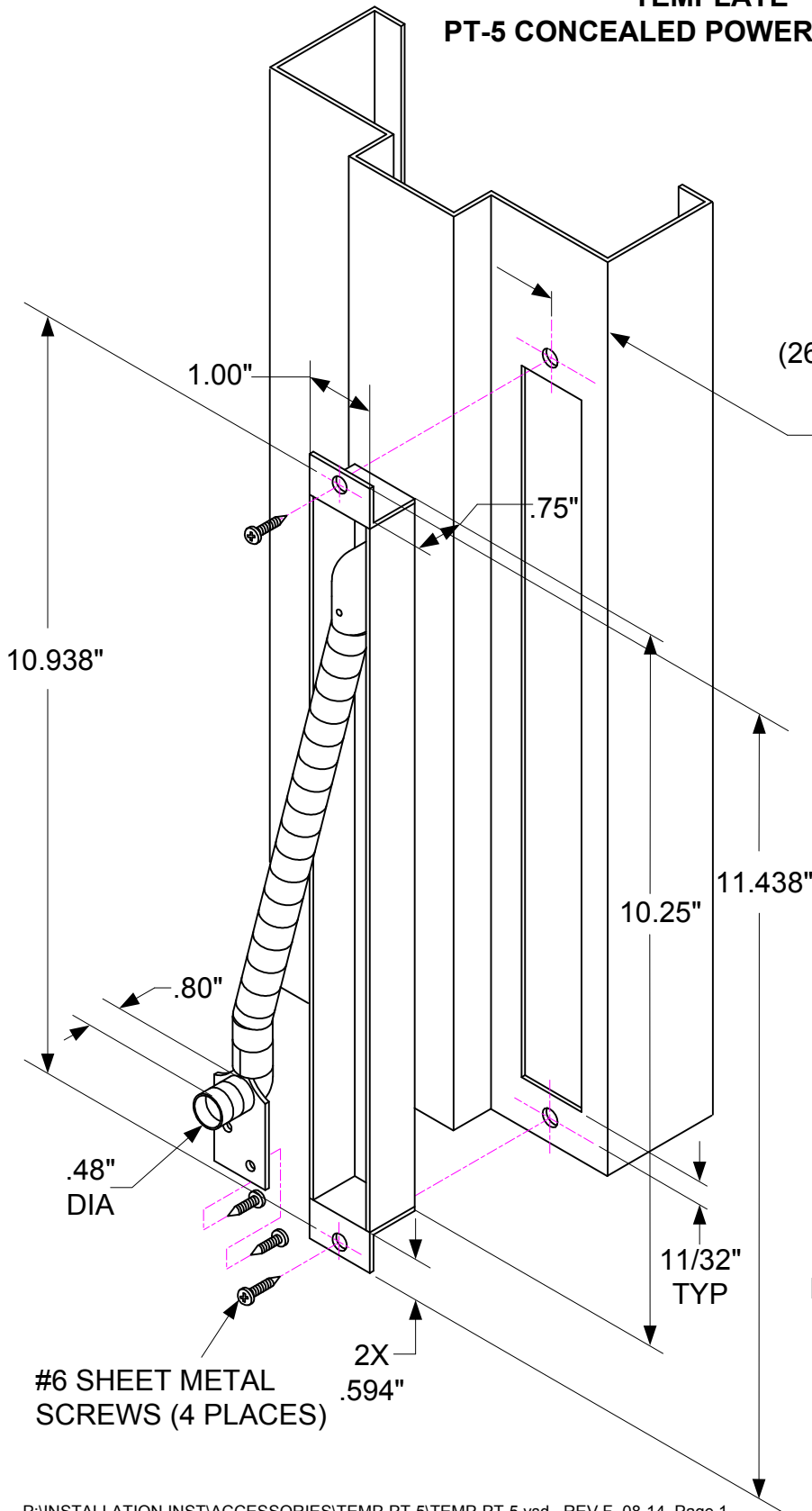
10.25" L x 1.00" W x .75" D
(260.35mm L x 25.4mm W x 19.05mm D)

7/8" FROM OUTSIDE
FACE OF DOOR

DOOR PREPARATION

.50" DIA. HOLE x .80" DEPTH
(12.7mm DIA HOLE x 20.32mm DEPTH)

NOTE: ACCEPTS JACKETED CABLE
UP TO 5/16" DIAMETER



FOR WOOD AND METAL DOORS AND
FRAMES. INTENDED FOR DOOR
OPENINGS LESS THAN 120°.
NOT INTENDED FOR CENTER HUNG
DOOR APPLICATIONS

Any suggestions or comments to this instruction or product are welcome. Please contact us through our website or email engineer@sdsecurity.com