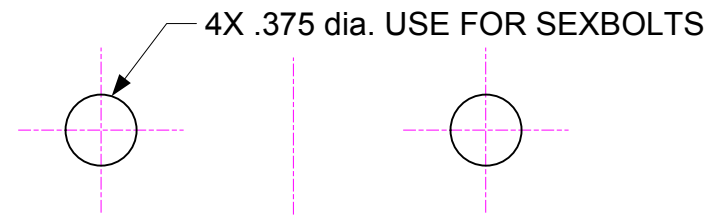


TRIM MOUNTING HOLES:

1. Drill 7/16" dia. Thru Holes 4X

THIS SIDE UP FOR LHR DOOR



TO FACE OF STOP
2-7/16"

1/2" dia.
THRU

2-7/16"
TO FACE OF STOP



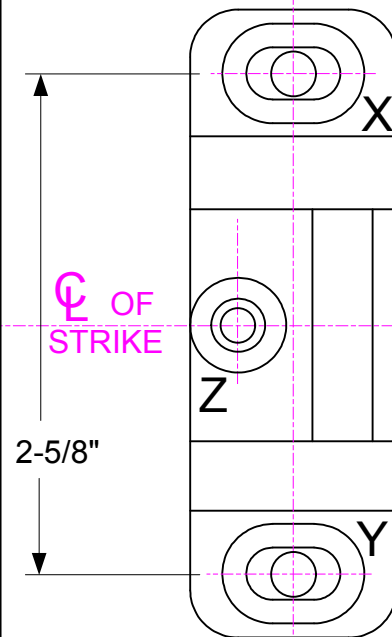
OUTSIDE

THIS SIDE UP FOR RHR DOOR

STRIKE MOUNTING HOLES:

1. Drill .201 dia. (#7 Drill) holes 2X.
2. Use #1/4-20 Tap

ADJUST THE STRIKE FOR PROPER ALIGNMENT WITH THE LATCH BOLT. LOCK STRIKE IN PLACE BY TIGHTENING THE SCREWS AT THE "X" & "Y" POSITIONS USING A 3/16" dia. DRILL. DRILL THE 3rd HOLE AT THE "Z" POSITION AND TAP WITH A #12-24 TAP. ATTACH 3rd SCREW.



2-5/8"

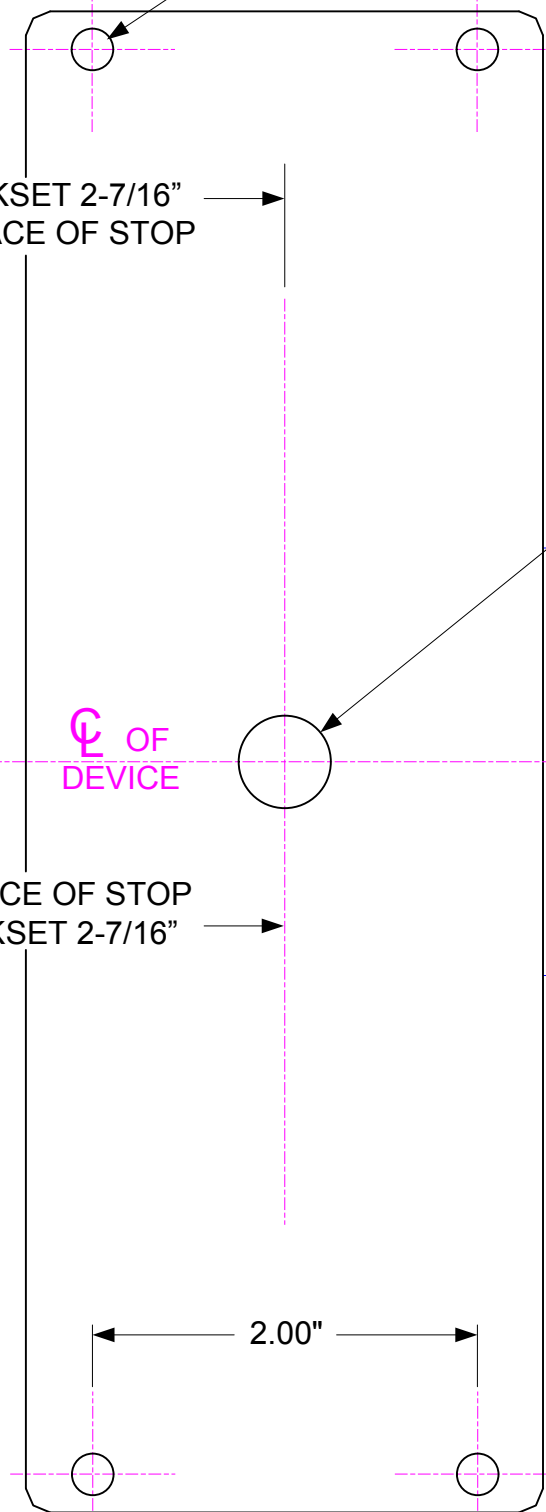
1-3/32"

STRIKE

4X .201 dia. THRU

BACKSET 2-7/16"
TO FACE OF STOP

TO FACE OF STOP
BACKSET 2-7/16"



CL OF DEVICE

INSIDE

INSIDE MOUNTING HOLES

For Metal Door Surface

Application:

1. Drill .201 dia. holes as marked
2. Use #1/4-20 tap.

For Sex Bolt Application:

Metal Door: .280" Drill Inside
3/8" Drill Outside
Wood Door: 3/8" Drill Thru
(Suggested to fix Device Chassis By Sex Bolt)

AFTER EXIT DEVICE IS CUT AND MOUNTED, INSTALL END CAP BRACKET CENTERED ON DEVICE CL

3-11/16"

1/2" dia.
CLEARANCE

.575

.594

1.188

3-11/16"

40"

Watch for special mounting height requirements

FINISHED FLOOR



Security Door Controls

801 Avenida Acaso, Camarillo, Ca. 93012
• (805) 494-0622 • Fax: (805) 494-8861
www.sdcsecurity.com
E-mail: service@sdsecurity.com

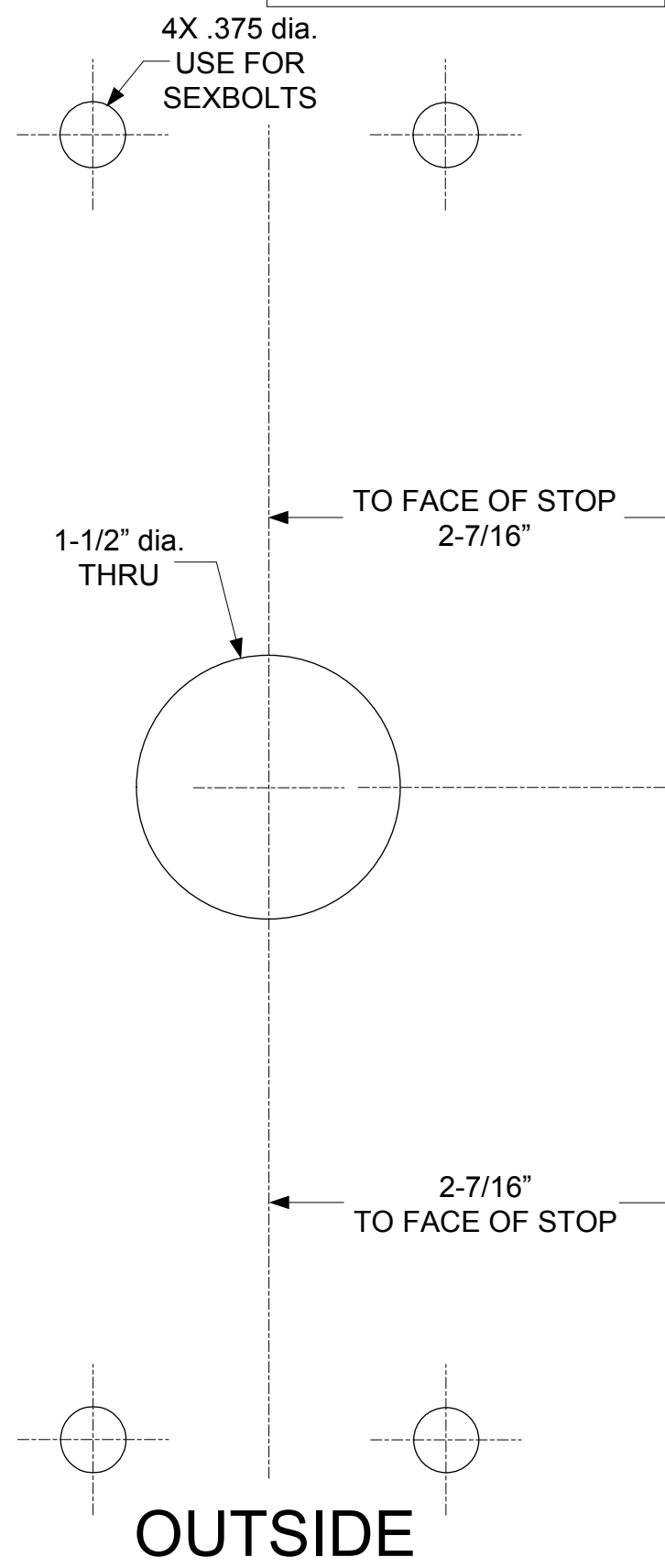
TEMPLATE-S6100

Devices covered by this template:
Panic Rim Device and Fire Rim Device.

TRIM MOUNTING HOLES;

1. Drill 7/16" dia. Thru Holes 4X.

THIS SIDE UP FOR LHR DOOR



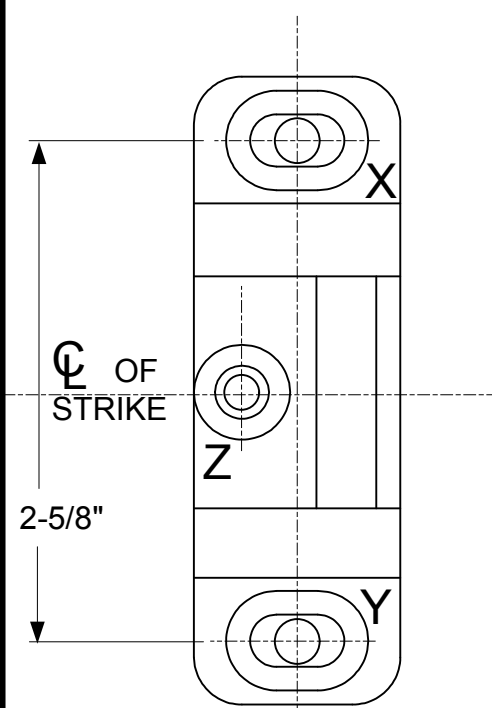
OUTSIDE

THIS SIDE UP FOR RHR DOOR

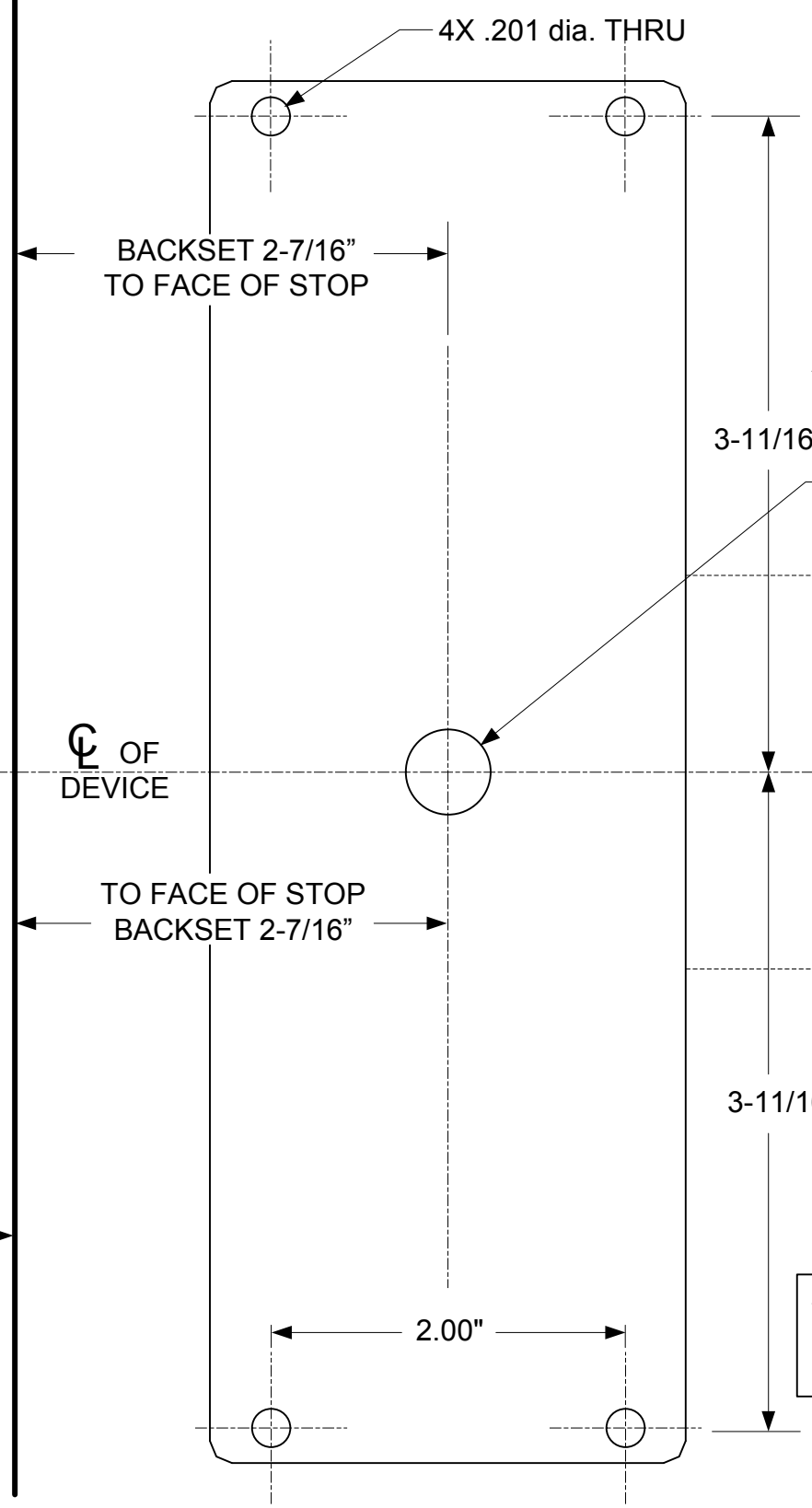
STRIKE MOUNTING HOLES:

1. Drill .201 dia. (#7 Drill) holes 2X.
2. Use #1/4-20 Tap

ADJUST THE STRIKE FOR PROPER ALIGNMENT WITH THE LATCH BOLT. LOCK STRIKE IN PLACE BY TIGHTENING THE SCREWS AT THE "X" & "Y" POSITIONS USING A 3/16" dia. DRILL. DRILL THE 3rd HOLE AT THE "Z" POSITION AND TAP WITH A #12-24 TAP. ATTACH 3rd SCREW.



STRIKE



INSIDE

INSIDE MOUNTING HOLES

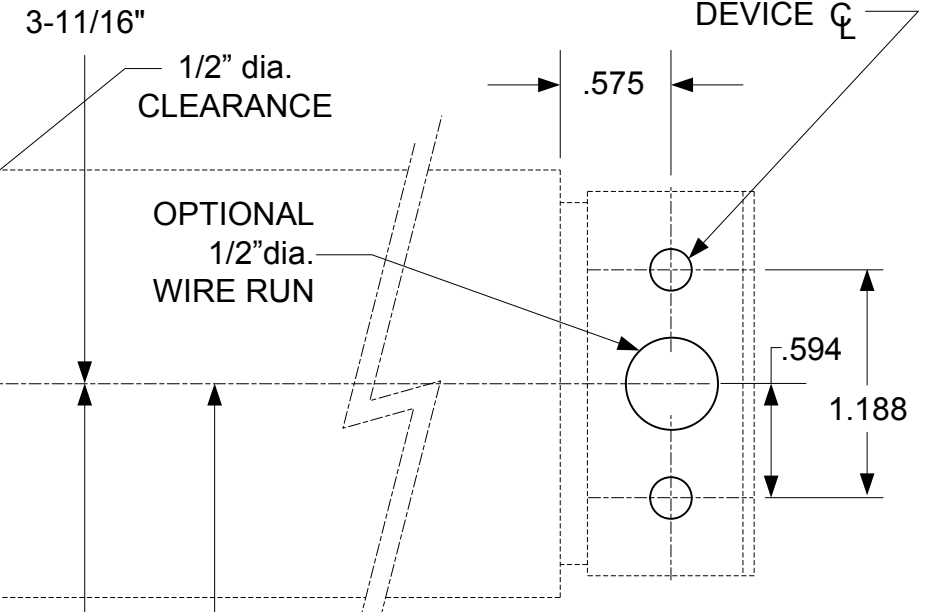
For Metal Door Surface Application:

1. Drill .201 dia. holes as marked
2. Use #1/4-20 tap.

For Sex Bolt Application:

- Metal Door: .280" Drill Inside, 3/8" Drill Outside
- Wood Door: 3/8" Drill Thru (Suggested to fix Device Chassis by Sex Bolt)

AFTER EXIT DEVICE IS CUT AND MOUNTED, INSTALL END CAP BRACKET CENTERED ON DEVICE CL

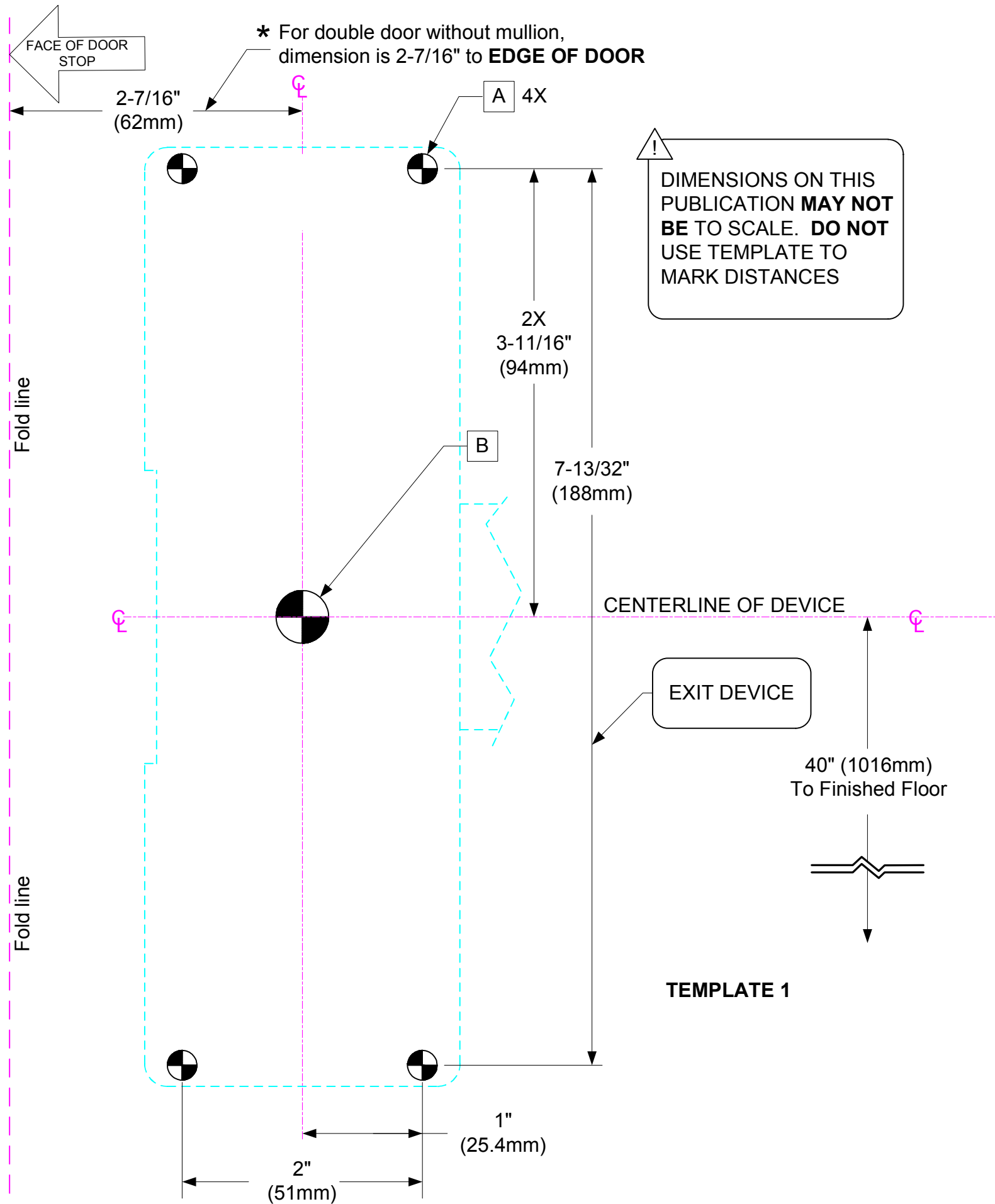


801 Avenida Acaso, Camarillo, Ca. 93012
 • (805) 494-0622 • Fax: (805) 494-8861
 www.sdcsecurity.com
 E-mail: service@sdsecurity.com

**TEMPLATE-S6100 EKE/GKE
 ELECTRIC TRIM**
 Devices covered by this template:
 Panic Rim Device and Fire Rim Device.

Watch for special mounting height requirements

FINISHED FLOOR

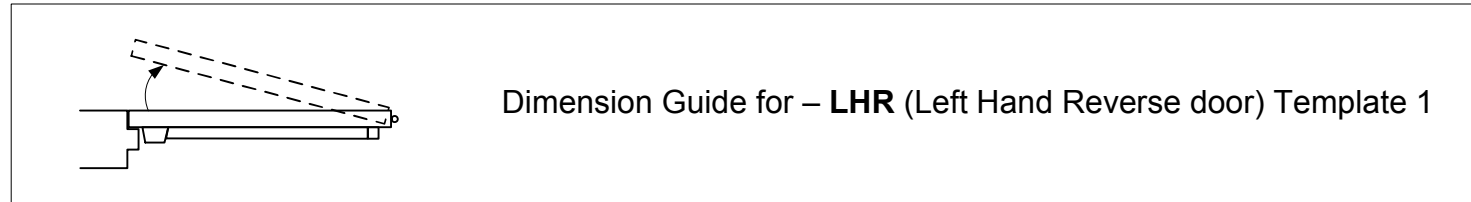


⚠ DIMENSIONS ON THIS PUBLICATION **MAY NOT BE TO SCALE. DO NOT USE TEMPLATE TO MARK DISTANCES**



801 Avenida Acaso, Camarillo, Ca. 93012
 • (805) 494-0622 • Fax: (805) 494-8861
 www.sdcsecurity.com • E-mail: service@sdsecurity.com

**TEMPLATE-S6200
 SURFACE MOUNT VERTICAL ROD**



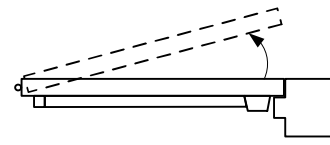
1. Draw a centerline horizontally across the door, 40" (1016mm) from bottom of door.
2. Draw a vertical centerline 2-7/16" (62mm) from edge of door.
3. Select the appropriate side of both templates. (1 & 2). Your door handing will determine the appropriate side, either (**LHR**) or (**RHR**).
4. Using dimensions indicated on templates 1 & 2, locate and mark the center of the required holes.
5. Drill holes as indicated by their designated letter.
6. If using an exterior trim, refer to the template with trim to further prepare door.

A **METAL – Panic Rated:** Drill/Tap for 1/4-20 machine screws (sexbolts recommended).
METAL – Fire Rated: Sexbolts required.
SEXBOLTS: Drill 3/8" (9.5mm) clearance holes on Push and Pull Sides.
WOOD: Pre-Drill 1/8" (3mm) hole.

B **ACTUATING SHAFT HOLE:** Drill 1/2" thru hole.

TEMPLATE 1

Dimension Guide for – **RHR** (Right Hand Reverse door) Template 2

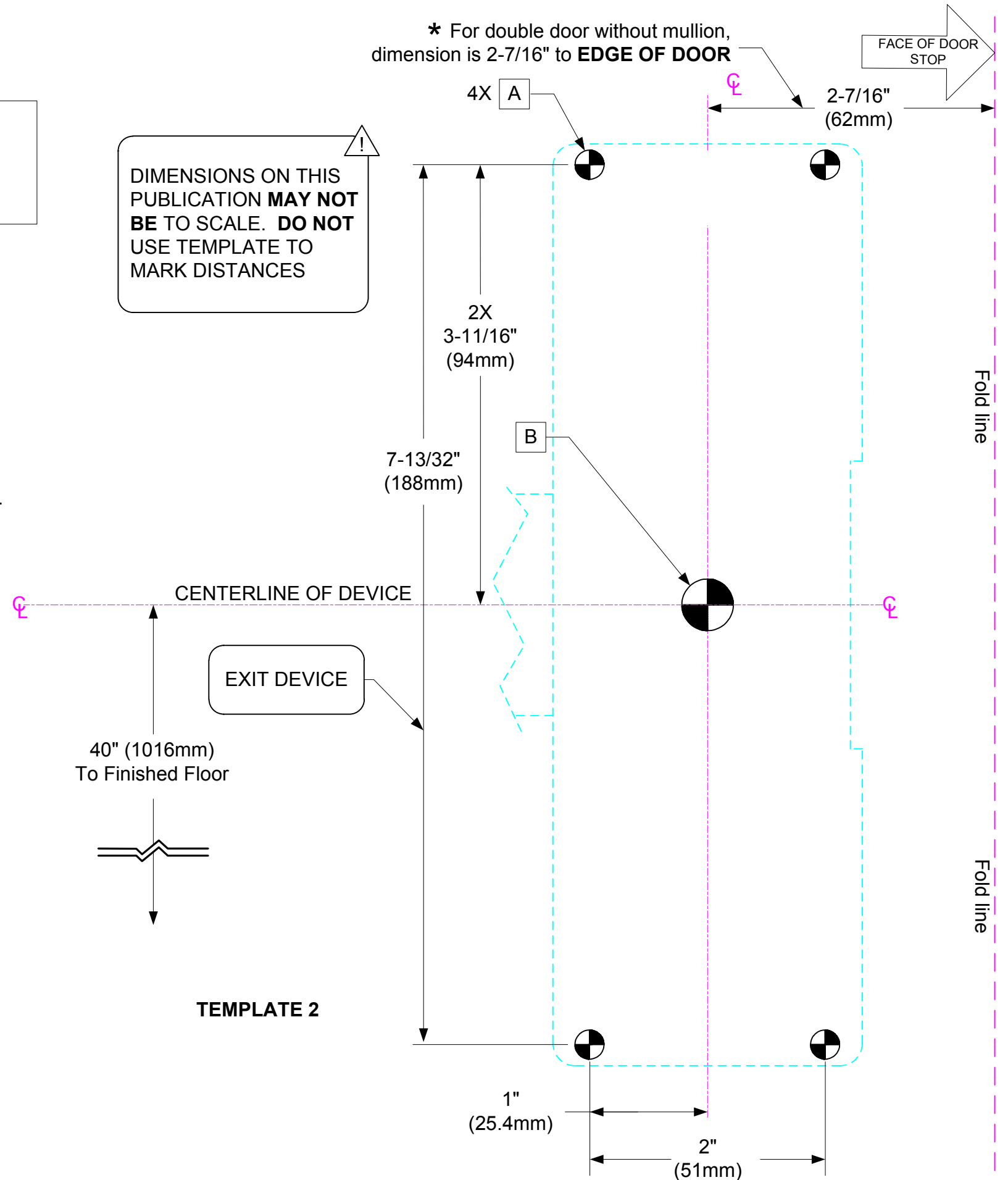


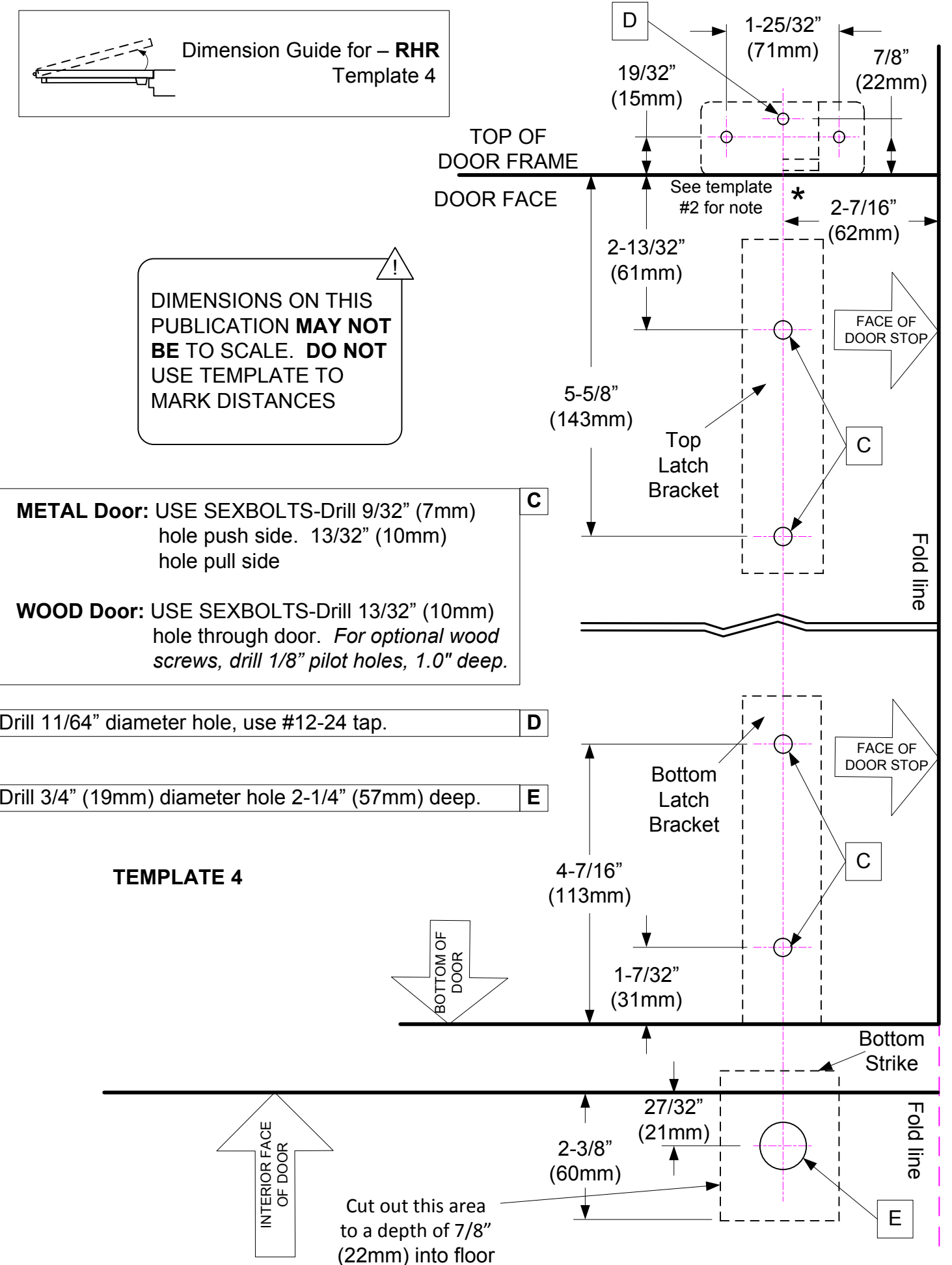
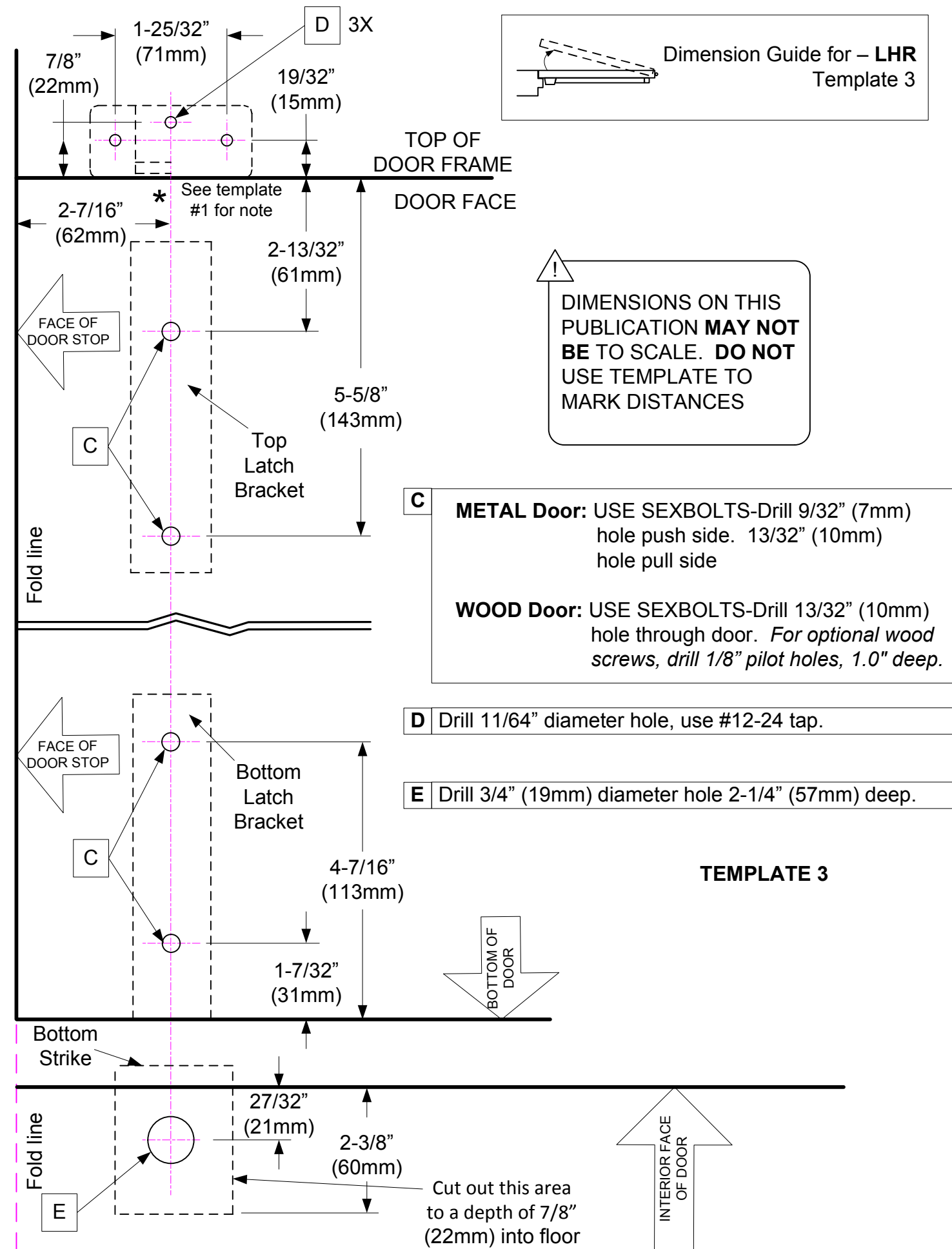
1. Draw a centerline horizontally across the door, 40" (1016mm) from bottom of door.
2. Draw a vertical centerline 2-7/16" (62mm) from edge of door.
3. Select the appropriate side of both templates. (1 & 2). Your door handing will determine the appropriate side, either (**LHR**) or (**RHR**).
4. Using dimensions indicated on templates 1 & 2, locate and mark the center of the required holes.
5. Drill holes as indicated by their designated letter.
6. If using an exterior trim, refer to the template with trim to further prepare door.

METAL – Panic Rated: Drill/Tap for 1/4-20 machine screws (sexbolts recommended).
METAL – Fire Rated: Sexbolts required.
SEXBOLTS: Drill 3/8" (9.5mm) clearance holes on Push and Pull Sides.
WOOD: Pre-Drill 1/8" (3mm) hole.

ACTUATING SHAFT HOLE: Drill 1/2" thru hole.

DIMENSIONS ON THIS PUBLICATION **MAY NOT BE TO SCALE. DO NOT USE TEMPLATE TO MARK DISTANCES**





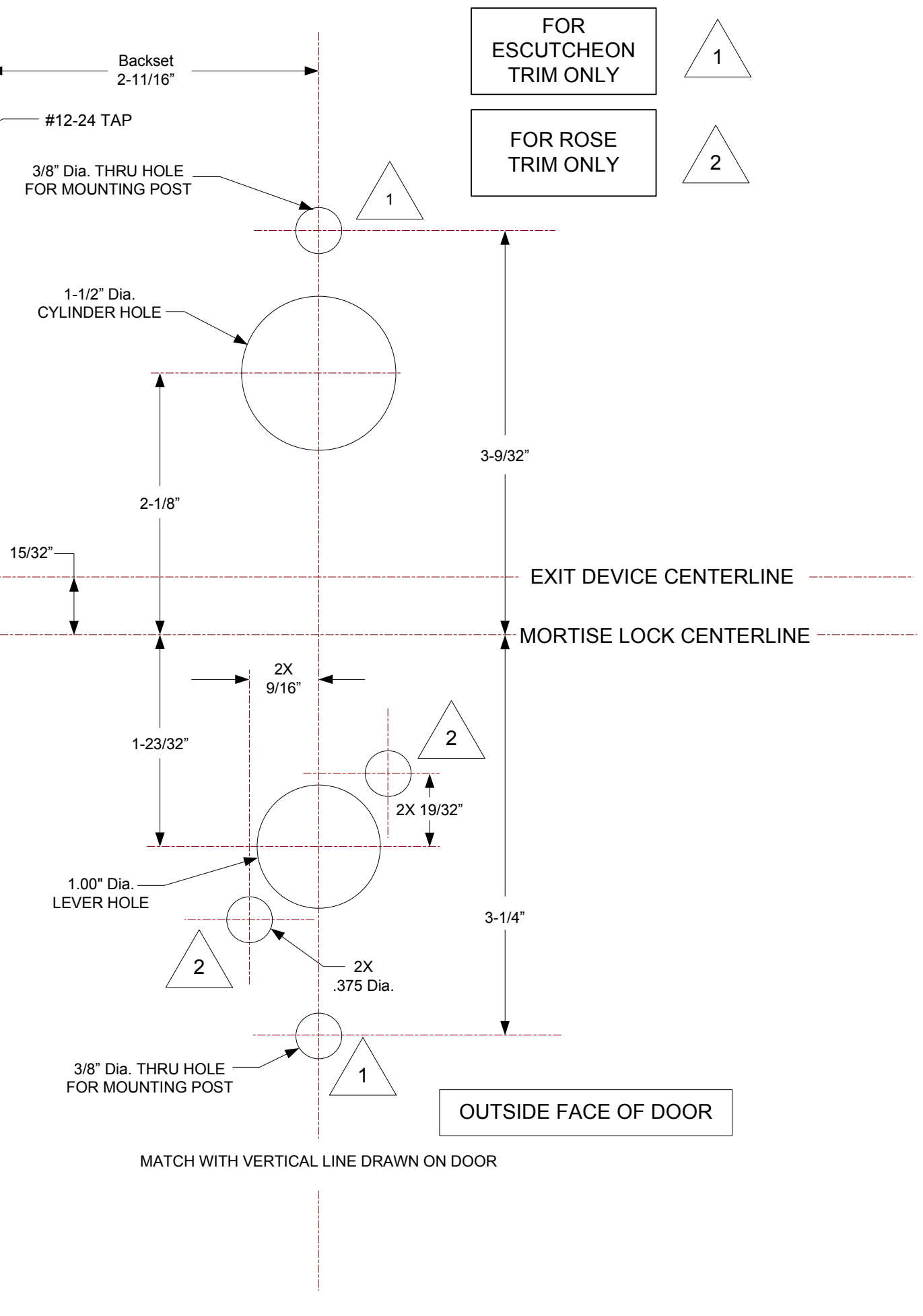
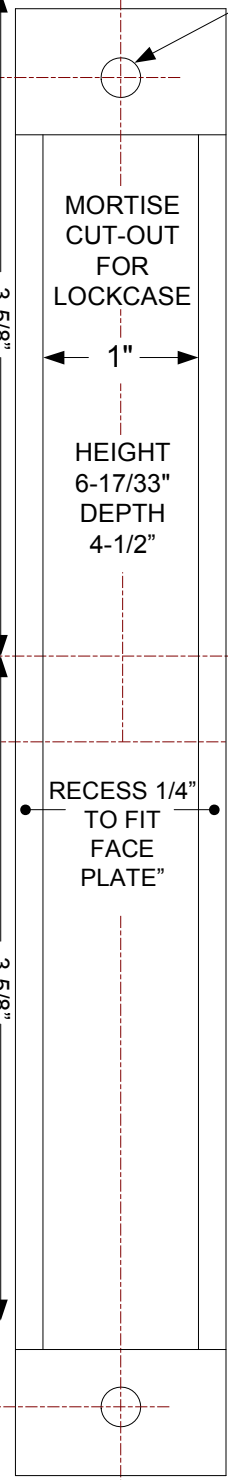
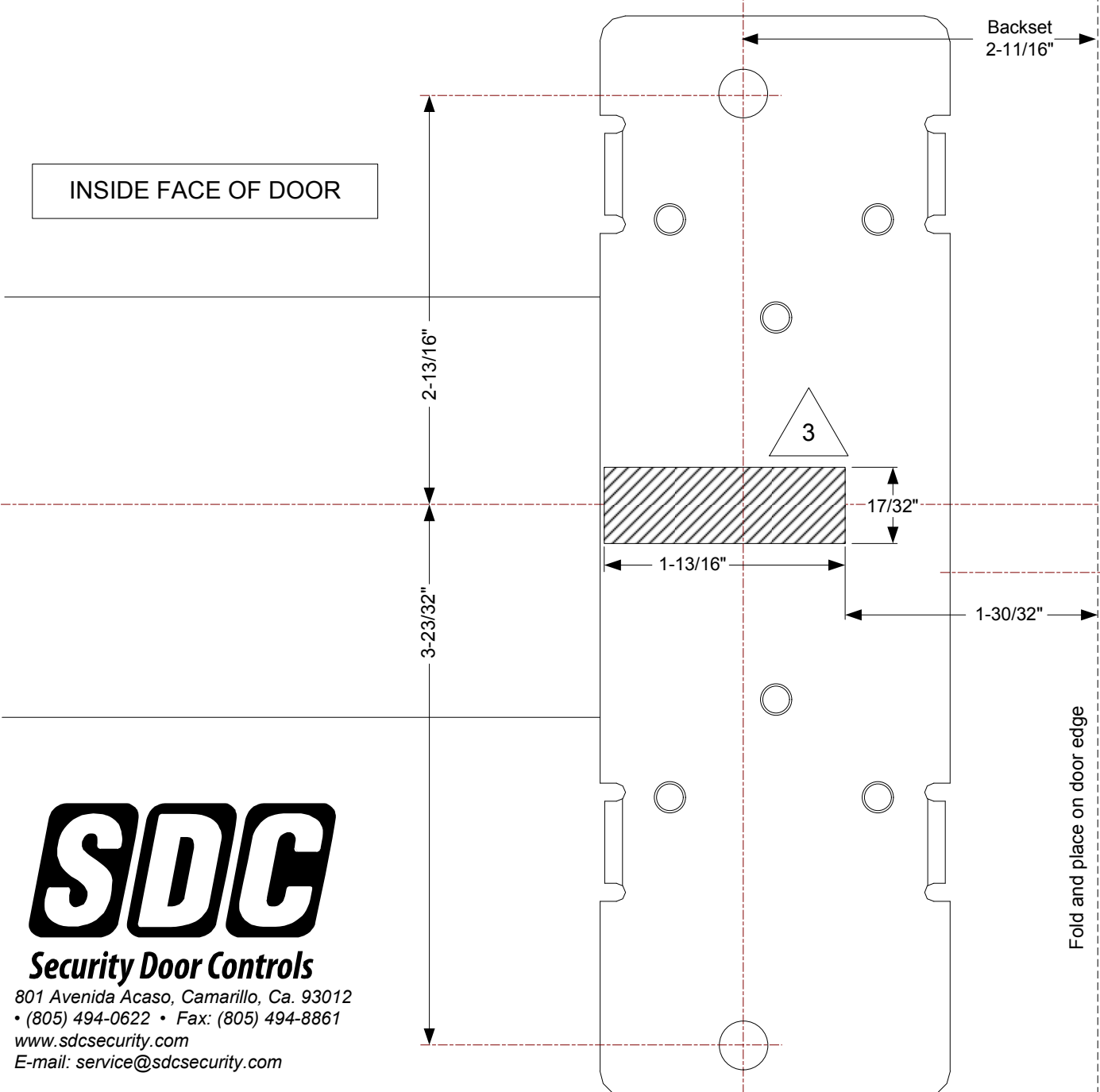
FOR RHR DOOR

FOR OPPOSITE HAND
PLEASE SEE REVERSE SIDE

TEMPLATE

Mortise Lock Exit Devices
Dimensional only. Not to scale.

NOTE:
This template is for
1-3/4" thick door.
For thicker doors,
tear off here and
locate ϕ of lock on ϕ
of edge of door.



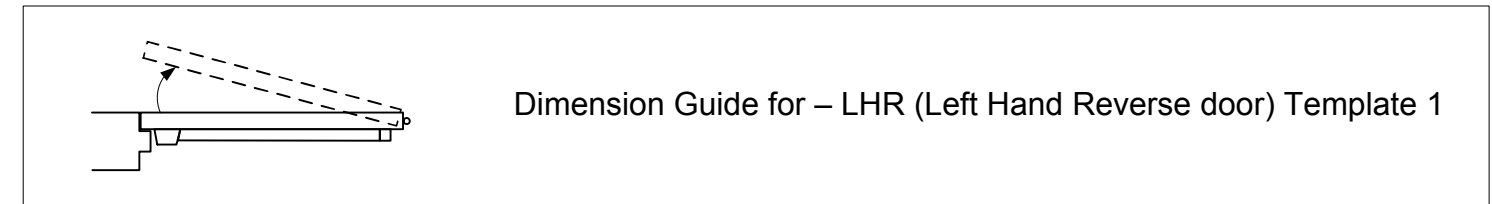
CUT-OUT IS FOR
DEVICE SIDE ONLY
(THRU ONE WALL) 3



Security Door Controls
801 Avenida Acaso, Camarillo, Ca. 93012
• (805) 494-0622 • Fax: (805) 494-8861
www.sdcsecurity.com
E-mail: service@sdsecurity.com

TEMPLATE-S6300
Devices covered by this template:
Panic Mortise Device and Fire Mortise Device.

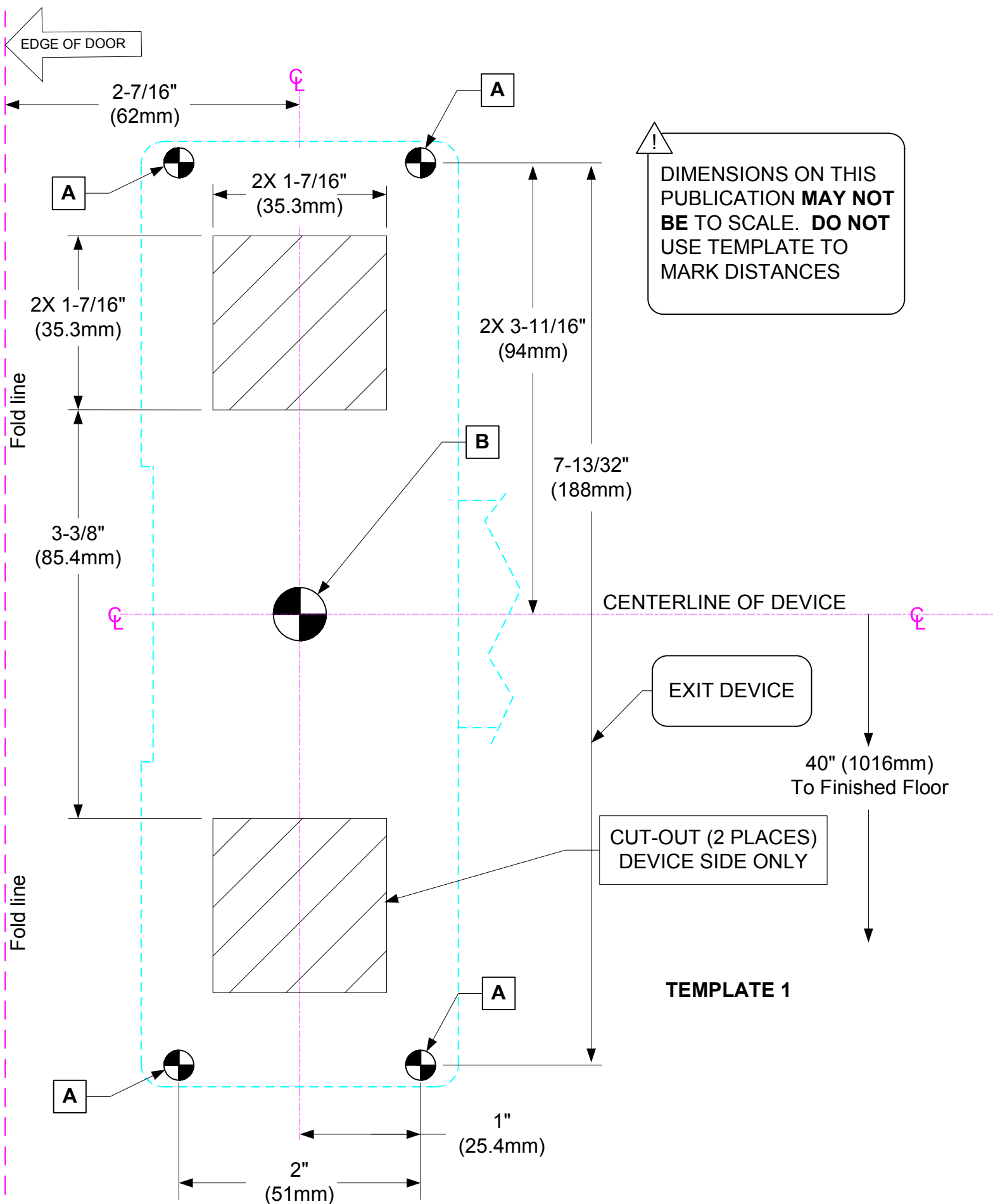
TEMPLATE-S6800 CONCEALED VERTICAL ROD



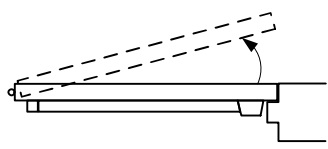
1. Draw a centerline horizontally across the door, 40" (1016mm) from bottom of door.
2. Draw a vertical centerline 2-7/16" (62mm) from edge of door.
3. Select the appropriate side of both templates. (1 & 2). Your door handing will determine the appropriate side, either **(LHR)** or **(RHR)**.
4. Using dimensions indicated on templates 1 & 2, locate and mark the center of the required holes.
5. Drill holes as indicated by their designated letter.
6. If using an exterior trim, refer to the template with trim to further prepare door.

A
METAL – Panic Rated: Drill/Tap for 1/4-20 machine screws (sexbolts recommended).
METAL – Fire Rated: Sexbolts required.
SEXBOLTS: Drill 3/8" (9.5mm) clearance holes on Push and Pull Sides.

B
ACTUATING SHAFT HOLE: Drill 1/2" thru hole.



Dimension Guide for – RHR (Right Hand Reverse door) Template 2

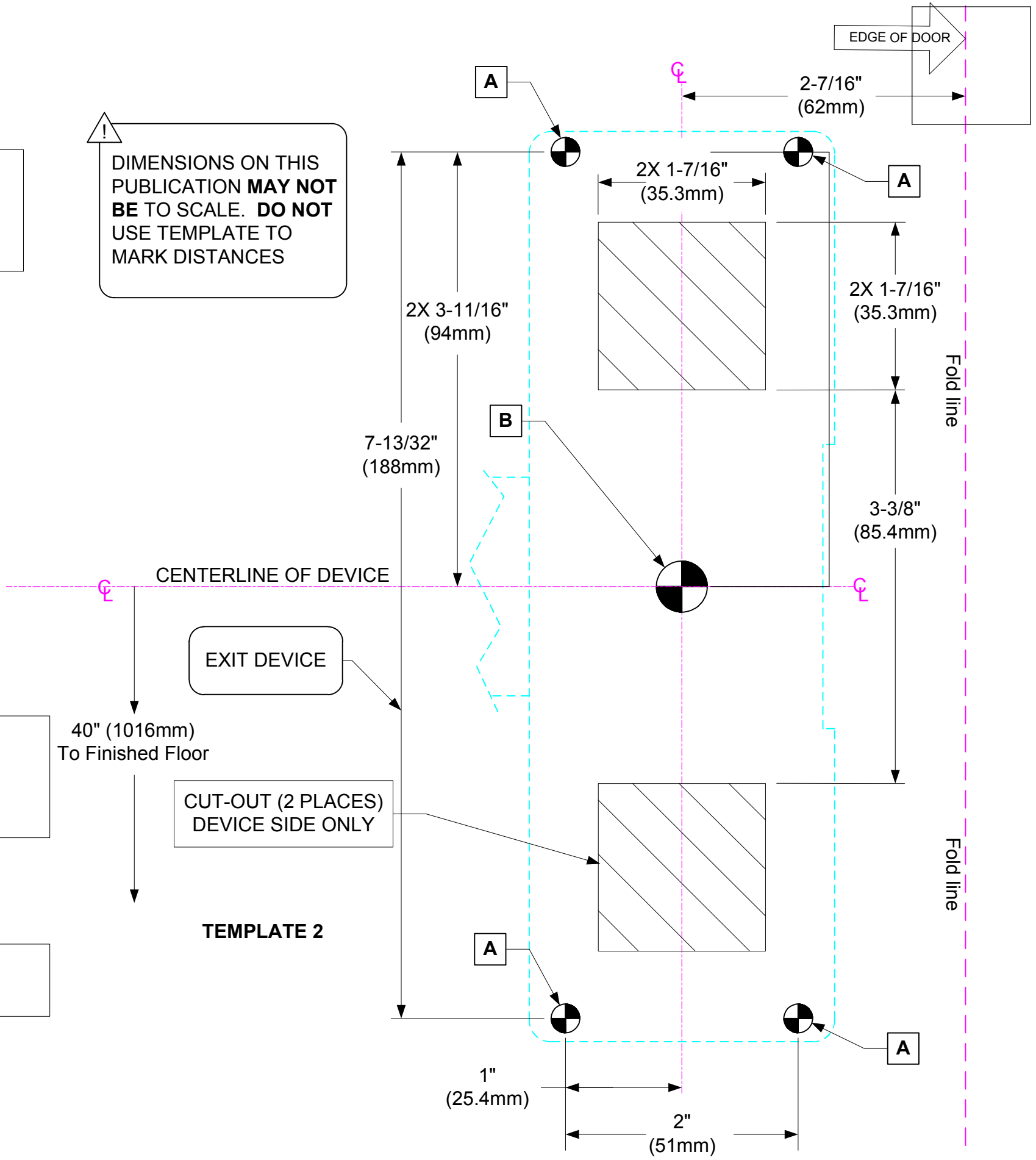


1. Draw a centerline horizontally across the door, 40" (1016mm) from bottom of door.
2. Draw a vertical centerline 2-7/16" (62mm) from edge of door.
3. Select the appropriate side of both templates. (1 & 2). Your door handing will determine the appropriate side, either (LHR) or (RHR).
4. Using dimensions indicated on templates 1 & 2, locate and mark the center of the required holes.
5. Drill holes as indicated by their designated letter.
6. If using an exterior trim, refer to the template with trim to further prepare door.

A
METAL – Panic Rated: Drill/Tap for 1/4-20 machine screws (sexbolts recommended).
METAL – Fire Rated: Sexbolts required.
SEXBOLTS: Drill 3/8" (9.5mm) clearance holes on Push and Pull Sides.

B
ACTUATING SHAFT HOLE: Drill 1/2" thru hole.

! DIMENSIONS ON THIS PUBLICATION **MAY NOT BE TO SCALE. DO NOT USE TEMPLATE TO MARK DISTANCES**



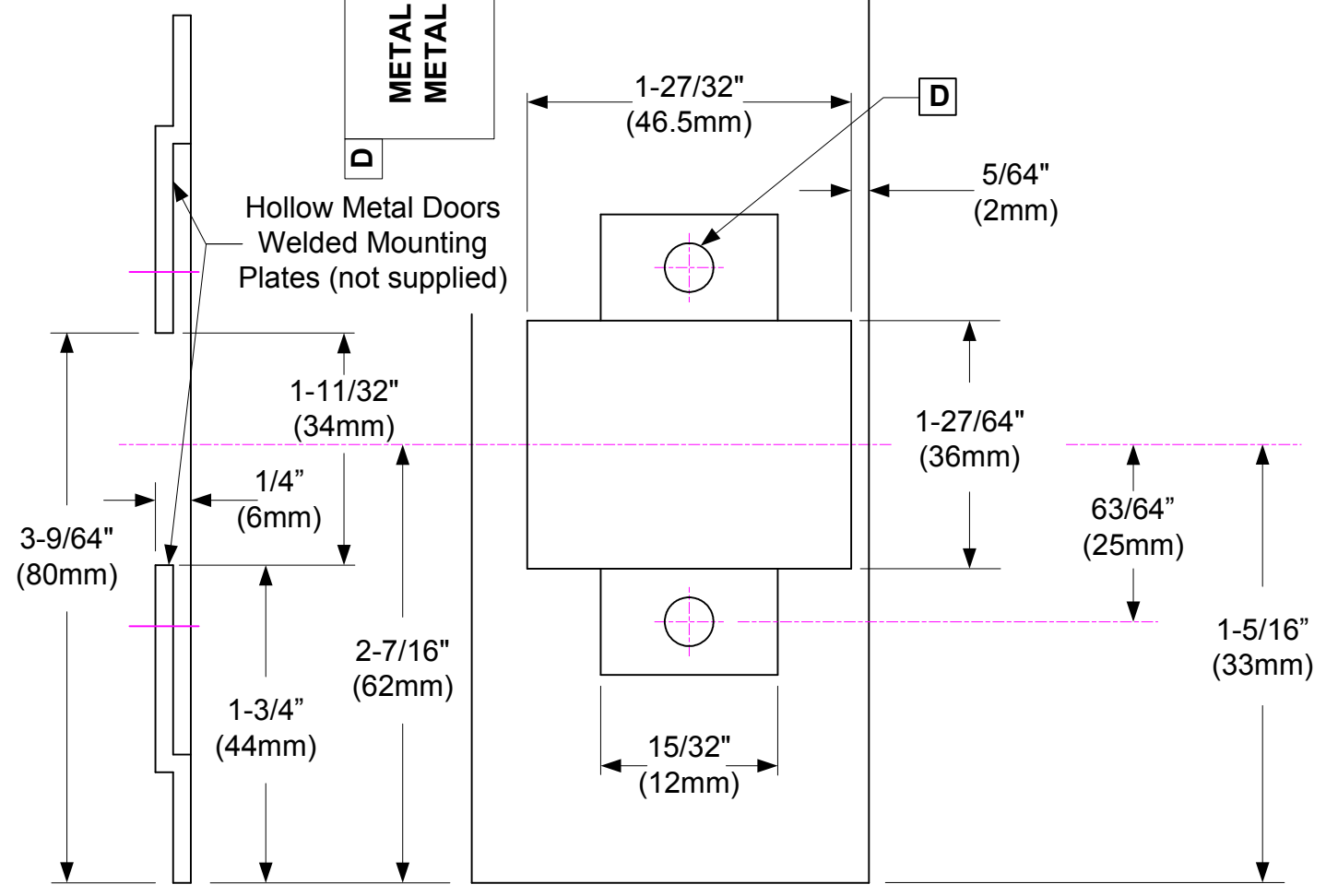
Top Door Frame

Dimension Guide for – LHR Template 3

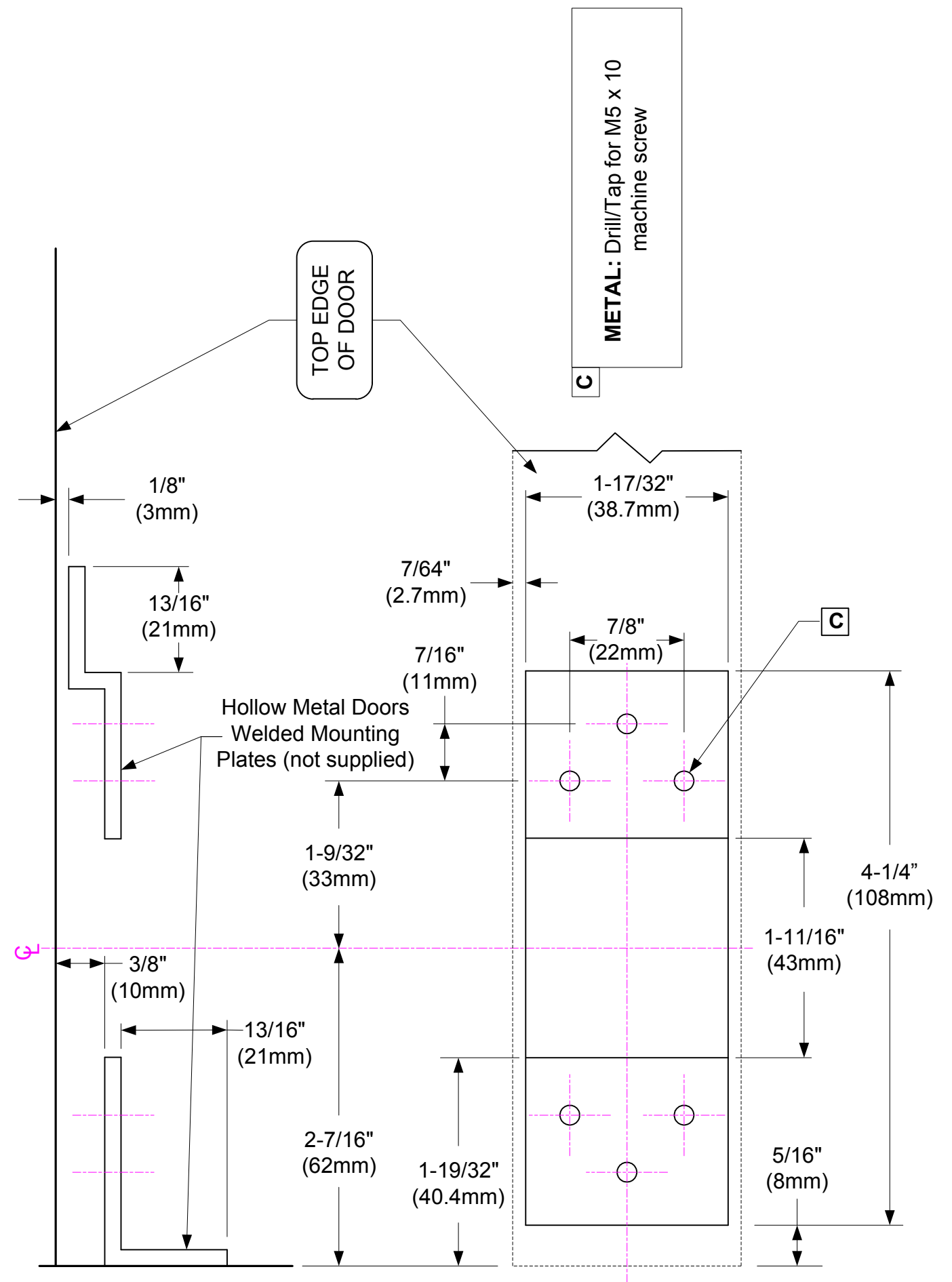
METAL – Panic Rated: Drill/Tap for M5-0.8P x 15 machine screws.
METAL – Fire Rated: Drill/Tap for M5-0.8P x 15 machine screws.

DIMENSIONS ON THIS PUBLICATION MAY NOT BE TO SCALE. DO NOT USE TEMPLATE TO MARK DISTANCES

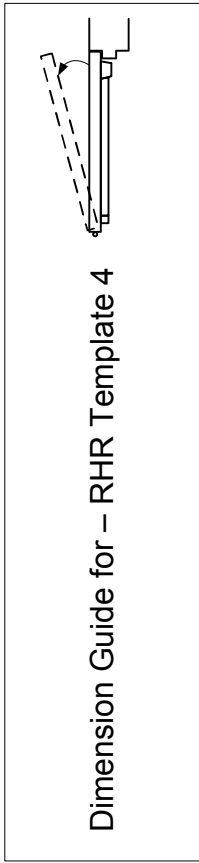
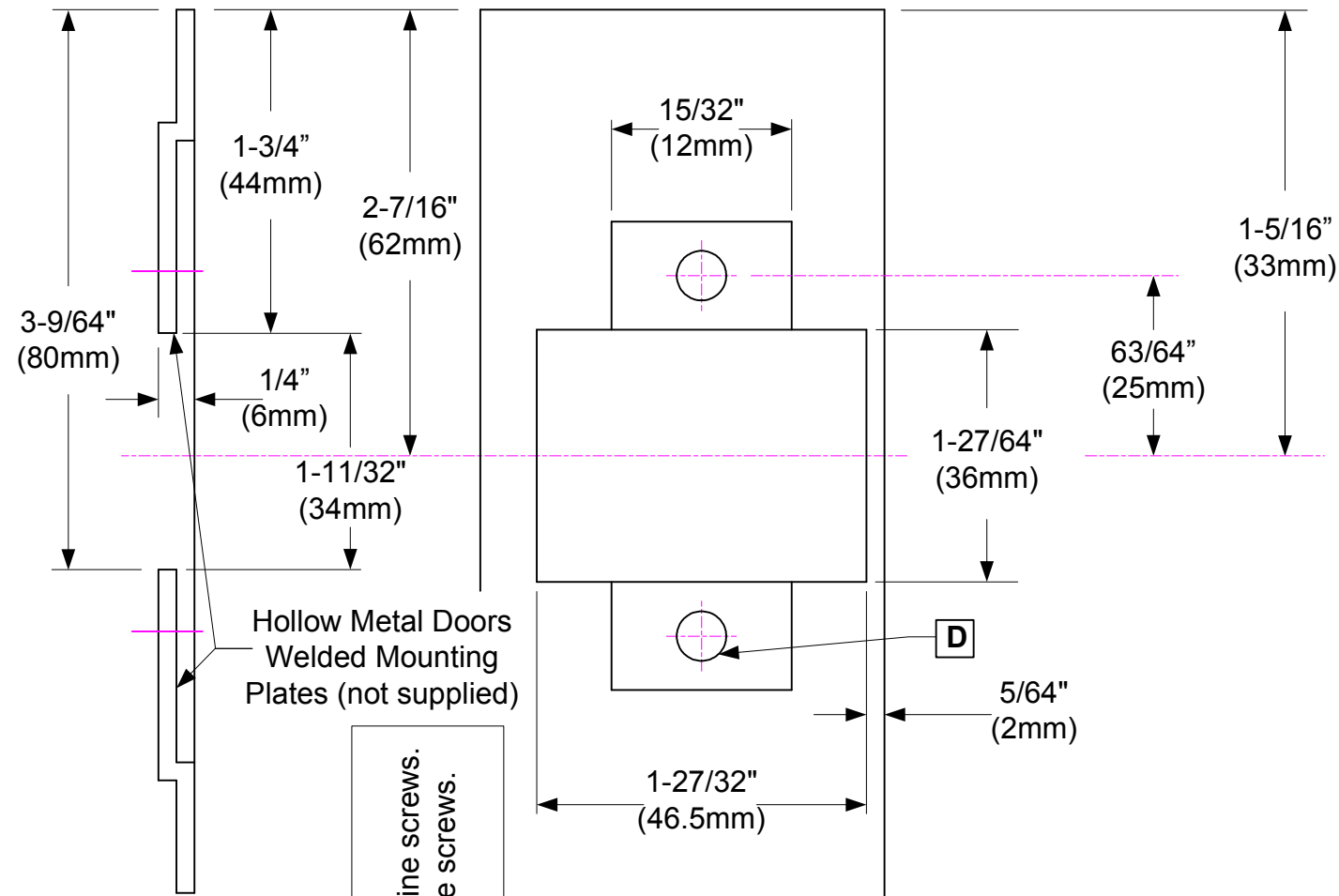
TEMPLATE 3



Top Edge of Door



Top Door Frame

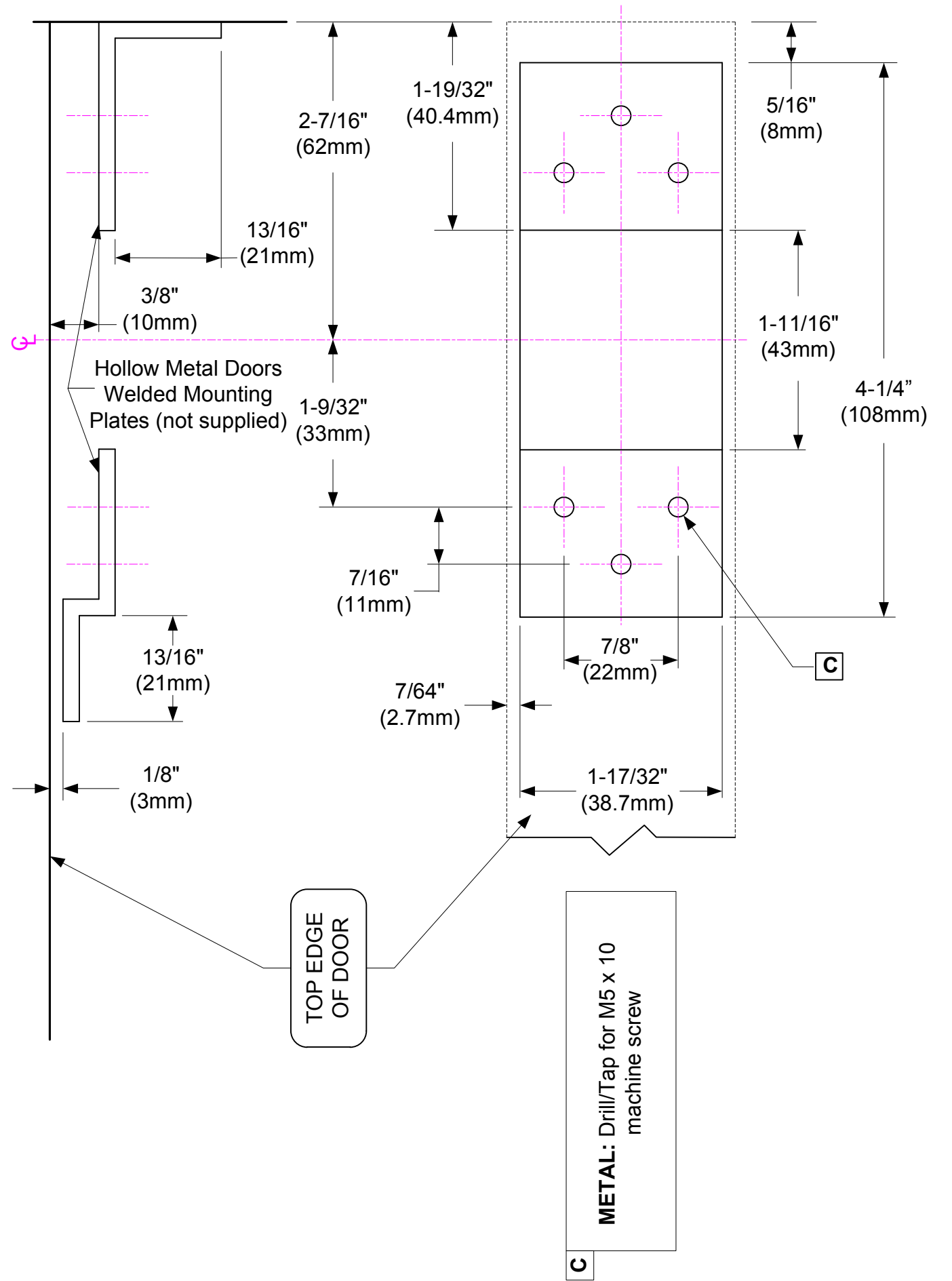


METAL – Panic Rated: Drill/Tap for M5-0.8P x 15 machine screws.
METAL – Fire Rated: Drill/Tap for M5-0.8P x 15 machine screws.

DIMENSIONS ON THIS PUBLICATION MAY NOT BE TO SCALE. DO NOT USE TEMPLATE TO MARK DISTANCES

TEMPLATE 4

Top Edge of Door



TOP EDGE OF DOOR

METAL: Drill/Tap for M5 x 10 machine screw

