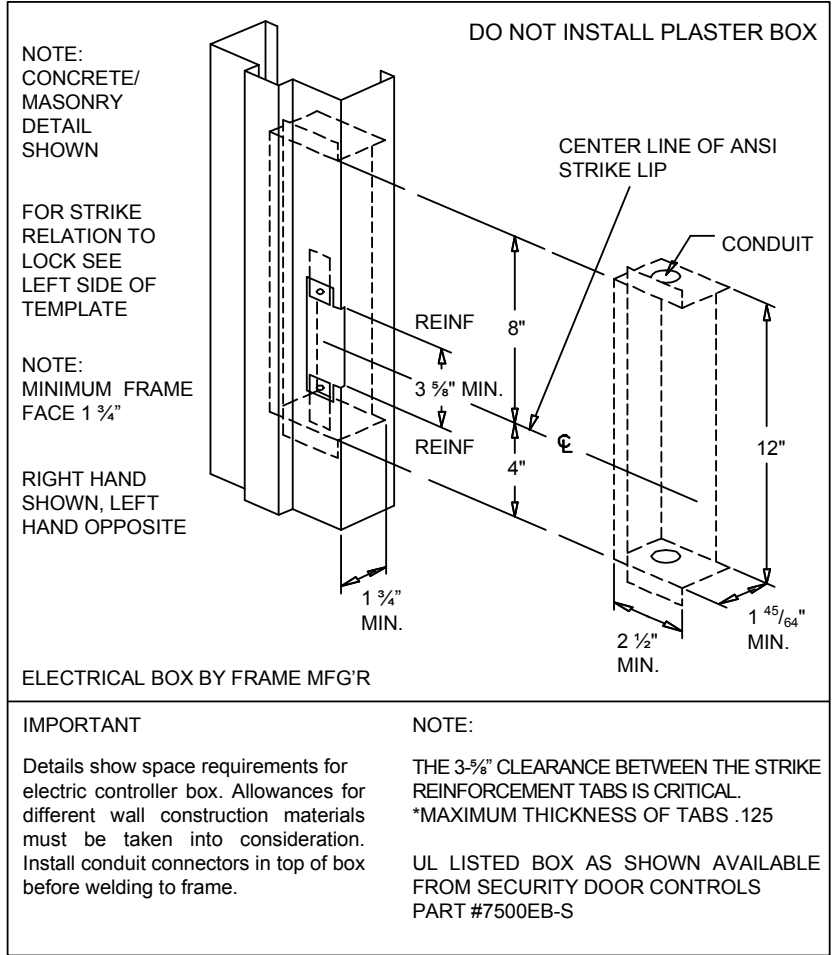
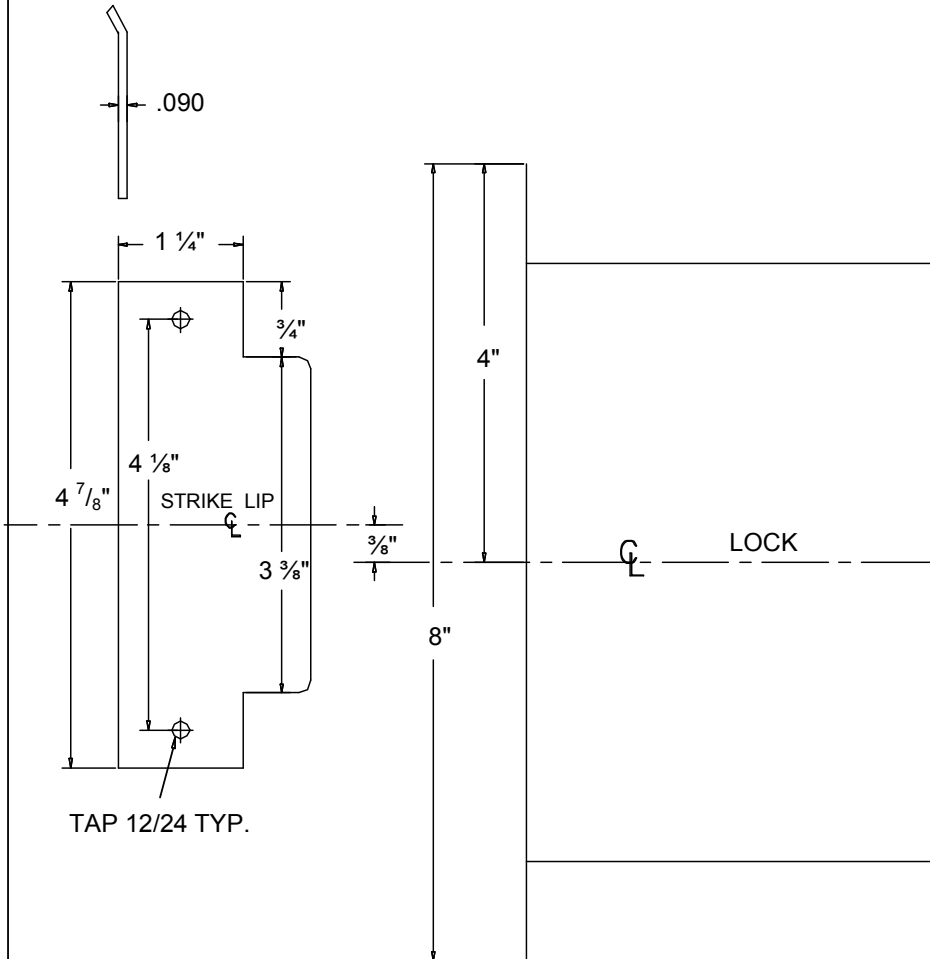


# SDC SECURITY DOOR CONTROLS

801 Avenida Acaso, Camarillo, Ca. 93012 • (805) 494-0622 • Fax: (805) 494-8861  
 www.sdcsecurity.com • E-mail: service@sdsecurity.com

## HITOWER Z7500 SERIES TEMPLATE 1 3/4" - 2" FRAMES



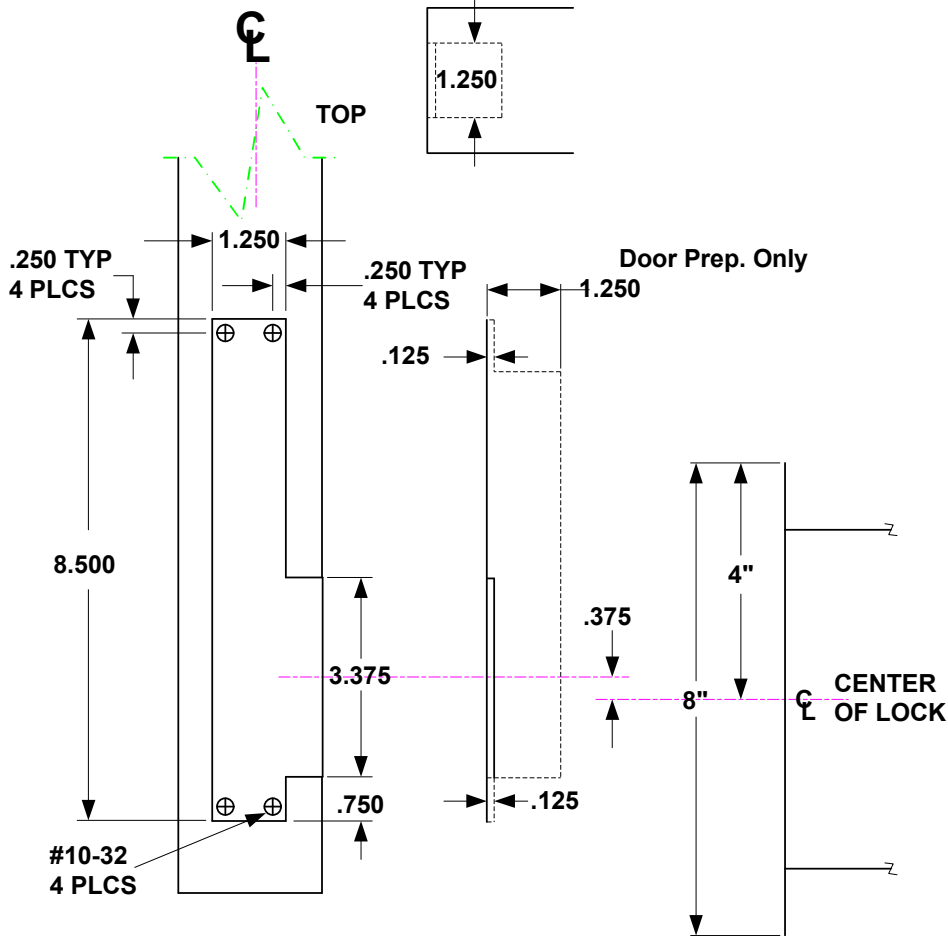
**NOT TO SCALE**



# SECURITY DOOR CONTROLS

801 Avenida Acaso, Camarillo, Ca. 93012 • (805) 494-0622 • Fax: (805) 494-8861  
 www.sdcsecurity.com • E-mail: service@sdsecurity.com

## HITOWER Z, S, I, D, P, T, H & N 7500 SERIES TEMPLATE 1-1/4" - 1-3/4" FRAMES



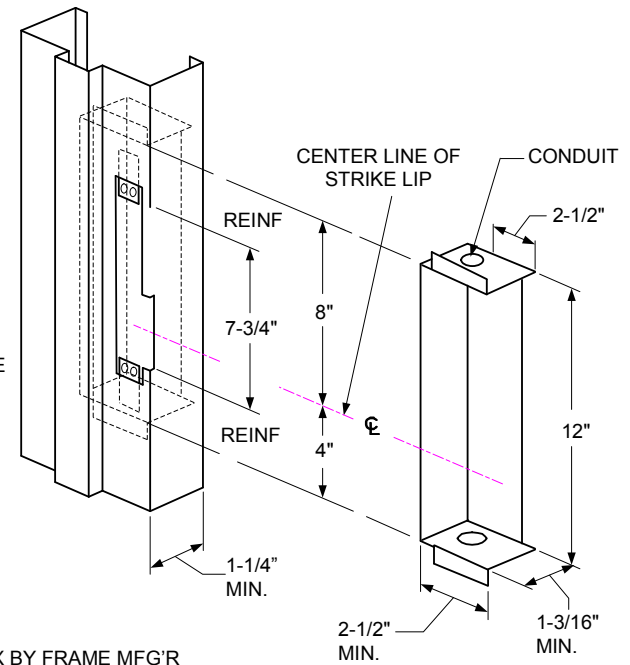
**NOT TO SCALE**

NOTE:  
 CONCRETE/  
 MASONRY  
 DETAIL  
 SHOWN

FOR STRIKE  
 RELATION TO  
 LOCK SEE  
 LEFT SIDE OF  
 TEMPLATE

NOTE:  
 MINIMUM FRAME  
 FACE 1-1/4"

RIGHT HAND  
 SHOWN, LEFT  
 HAND OPPOSITE



ELECTRICAL BOX BY FRAME MFG'R

**IMPORTANT**

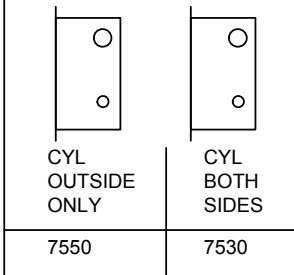
Details show space requirements for electric controller box. Allowances for different wall construction materials must be taken into consideration. Install conduit connectors in top of box before welding to frame.

**NOTE:**

THE 7-3/4" CLEARANCE BETWEEN THE STRIKE REINFORCEMENT TABS IS CRITICAL. \*MAXIMUM THICKNESS OF TABS .125

UL LISTED BOX AS SHOWN AVAILABLE FROM SECURITY DOOR CONTROLS PART #7500EB-N

**HOLES REQUIRED  
 FUNCTIONS**



**Door Prep. Only**

Identify the lock and manufacturer by letter prefix. Review proper manufacturers template requirements for **door prep only**. See details far left and above for frame prep.

SOURCE #	MODEL #
Z SDC	7500
S Schlage	L9080
I Corbin/Ruswin	ML2057
D Sargent	8200
P Yale	8805
T Best	45H
N Arrow	B12
H Hager	3880