

NOTE: TEMPLATE DIMENSIONS ARE SUBJECT TO CHANGE WITHOUT NOTICE.

TECHNICAL DATA (FOR STANDARD UNIT)

FACE PLATE: 8" x 1-1/2" x 1/8"

STRIKE: 4" x 1-1/2" x 1/8"

ID REQUIREMENTS: 8" x 1-1/2" x 1-1/2"

BOLT: 5/8" DIA. SOLID STAINLESS STEEL

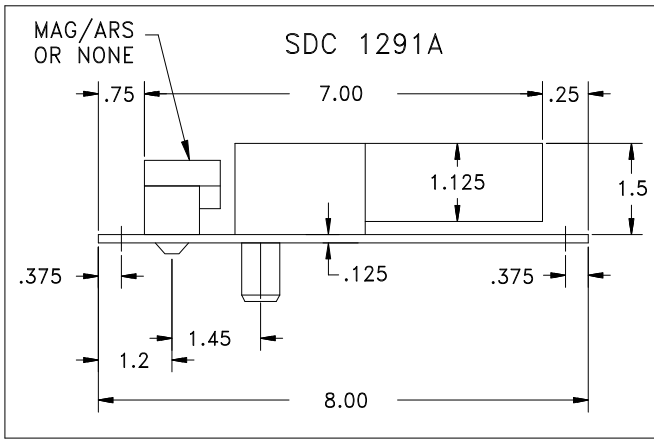
BOLT THROW: 3/4"

	Security Door Controls 801 Avenida Acaso, Camarillo, CA 93012 (805) 494-0622 Fax: (805) 494-8861 www.sdcsecurity.com E-mail: service@sdcsecurity.com
---	---

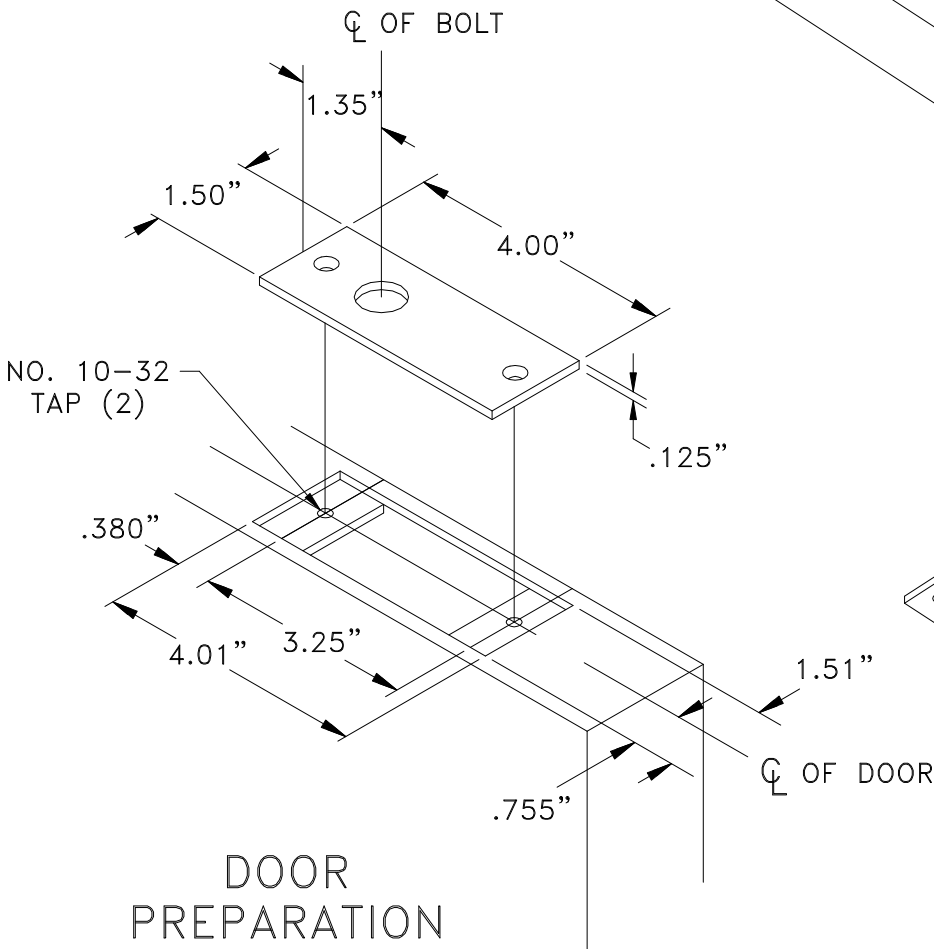
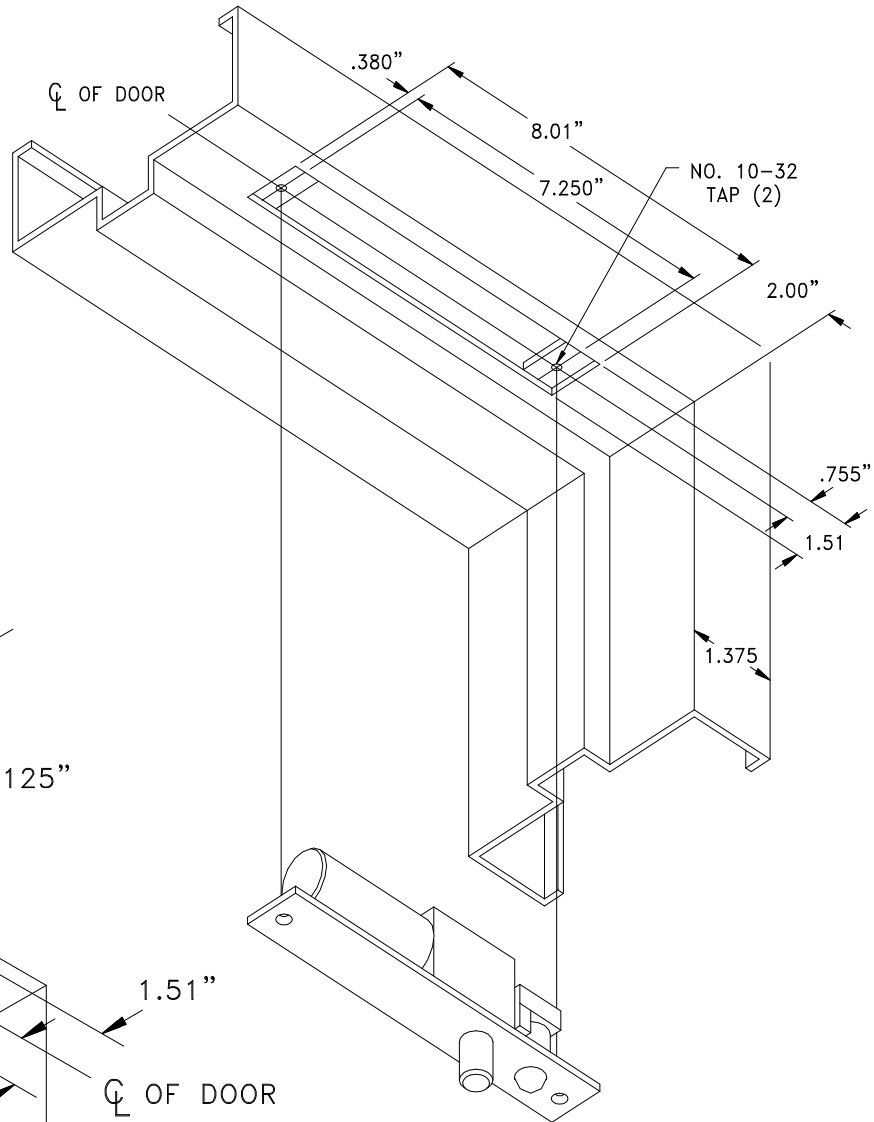
TEMPLATE
 1091A

ORIG. DATE
 06-18-84

DRAWING
 2755



NOTE: CONSULT FACTORY FOR WOOD INSTALLATION.
NOTE: TEMPLATE DIMENSIONS ARE SUBJECT TO CHANGE WITHOUT NOTICE.



DOOR PREPARATION

TECHNICAL DATA (FOR STANDARD UNIT)

- FACE PLATE:** 8" x 1-1/2" x 1/8"
- STRIKE:** 4" x 1-1/2" x 1/8"
- ID REQUIREMENTS:** 8" x 1-1/2" x 1-1/2"
- BOLT:** 5/8" DIA. SOLID STAINLESS STEEL
- BOLT THROW:** 3/4"

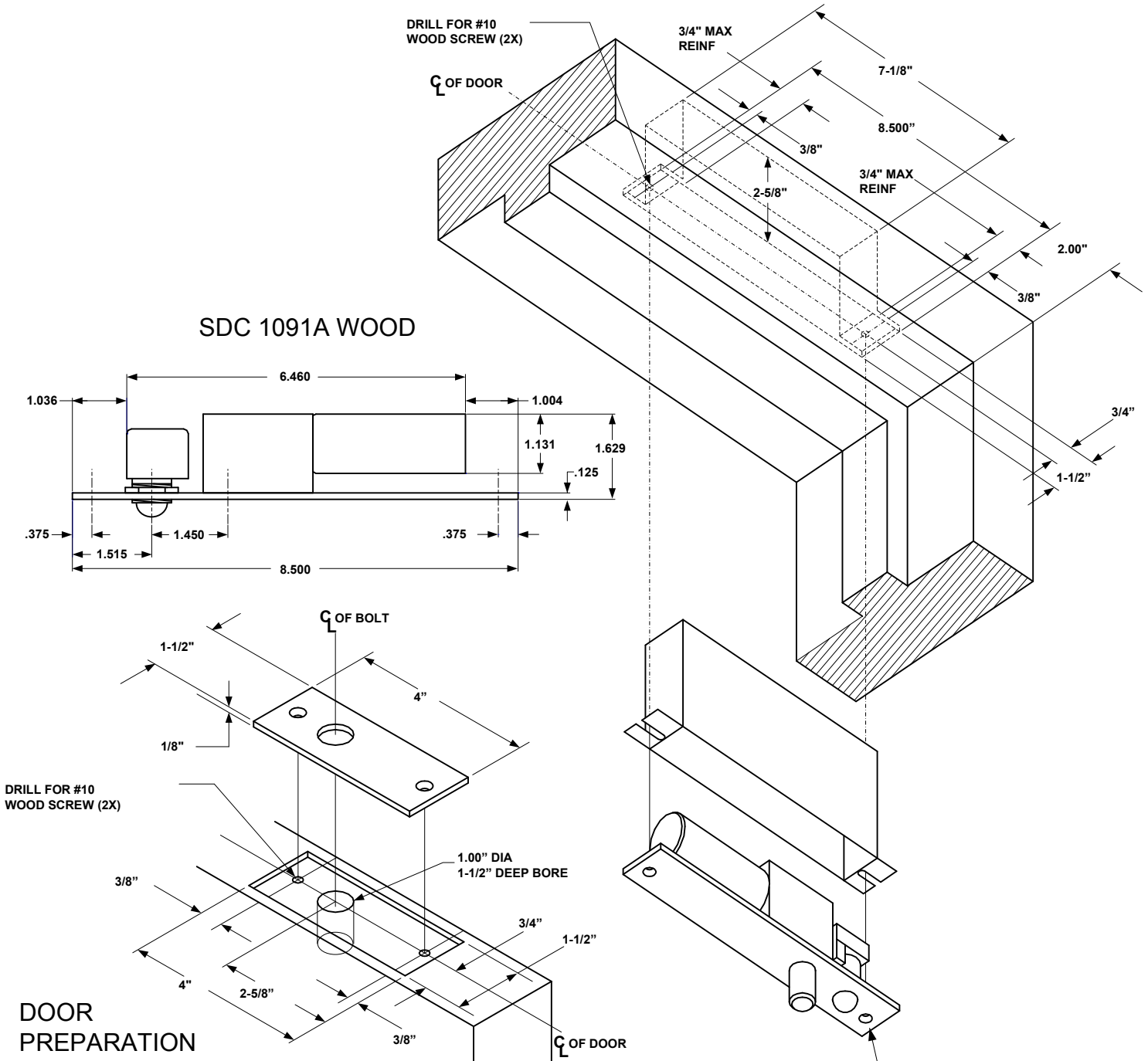
SDC	Security Door Controls
	801 Avenida Acaso, Camarillo, CA 93012 (805) 494-0622 Fax: (805) 494-8861 www.sdcsecurity.com E-mail: service@sdcsecurity.com

**TEMPLATE
1291A**

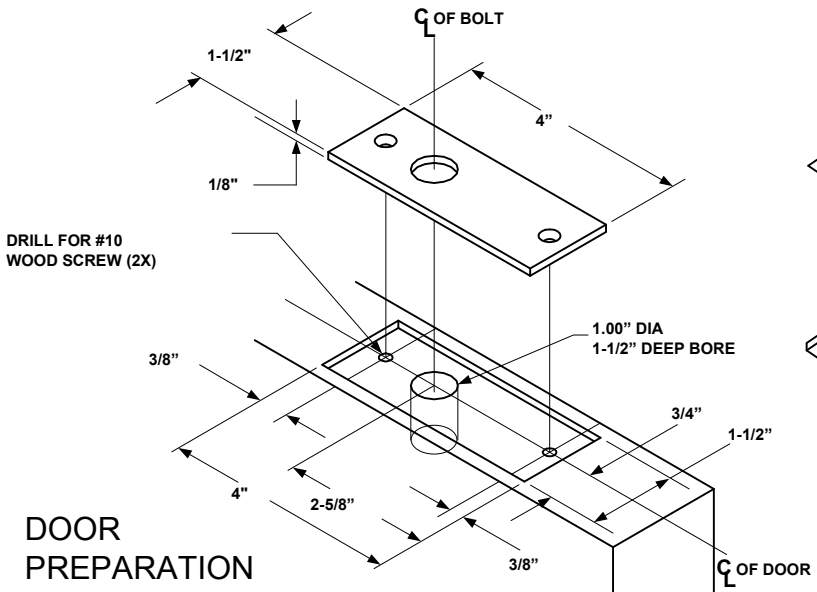
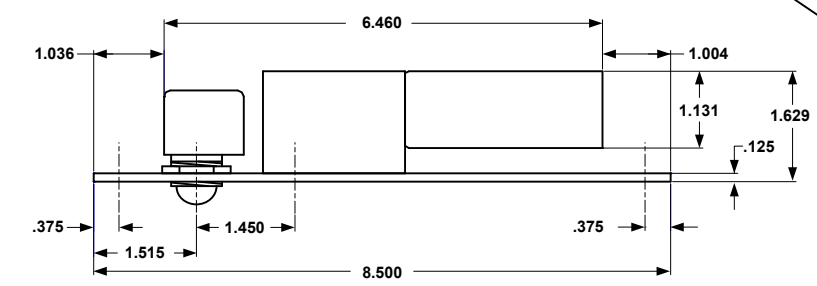
ORIG. DATE
08-95

DRAWING
1736A

NOTE: ELECTRICAL BOX #1000EB REQUIRED FOR WOOD APPLICATION.
NOTE: TEMPLATE DIMENSIONS ARE SUBJECT TO CHANGE WITHOUT NOTICE.




SDC 1091A WOOD

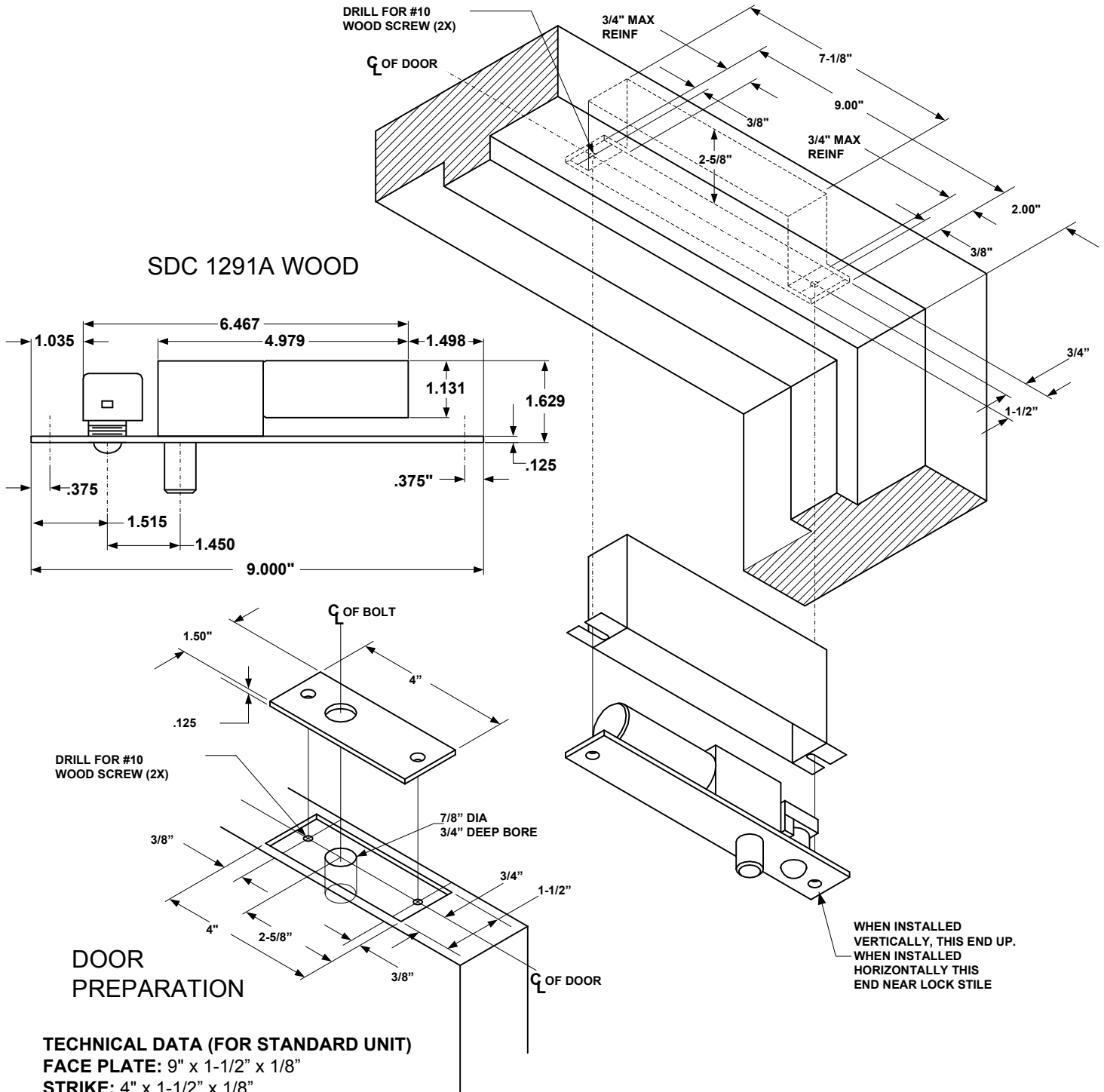


TECHNICAL DATA (FOR STANDARD UNIT)
FACE PLATE: 8-1/2" x 1-1/2" x 1/8"
STRIKE: 4" x 1-1/2" x 1/8"
ID REQUIREMENTS: 7-1/8" x 1-1/2" x 2-5/8"
BOLT: 5/8" DIA. SOLID STAINLESS STEEL
BOLT THROW: 3/4"

WHEN INSTALLED VERTICALLY, THIS END UP.
 WHEN INSTALLED HORIZONTALLY THIS END NEAR LOCK STILE

	<p>Security Door Controls 801 Avenida Acaso, Camarillo, CA 93012 (805) 494-0622 Fax: (805) 494-8861 www.sdcsecurity.com E-mail: service@sdcsecurity.com</p>	<p>TEMPLATE 1091A WOOD</p>	<p>ORIG. DATE 12/2/99</p> <p>DRAWING 2853</p>
--	--	---	---

NOTE: ELECTRICAL BOX #1000EB REQUIRED FOR WOOD APPLICATION.
NOTE: TEMPLATE DIMENSIONS ARE SUBJECT TO CHANGE WITHOUT NOTICE.



TECHNICAL DATA (FOR STANDARD UNIT)
FACE PLATE: 9" x 1-1/2" x 1/8"
STRIKE: 4" x 1-1/2" x 1/8"
ID REQUIREMENTS: 7-1/8" x 1-1/2" x 2-5/8"
BOLT: 5/8" DIA. SOLID STAINLESS STEEL
BOLT THROW: 3/4"

	Security Door Controls
	801 Avenida Acaso,
	Camarillo, CA 93012
	(805) 494-0622
	Fax: (805) 494-8861
www.sdcsecurity.com	
E-mail: service@sdcsecurity.com	

TEMPLATE
1291A WOOD

ORIG. DATE
12/20/00

DRAWING
3213