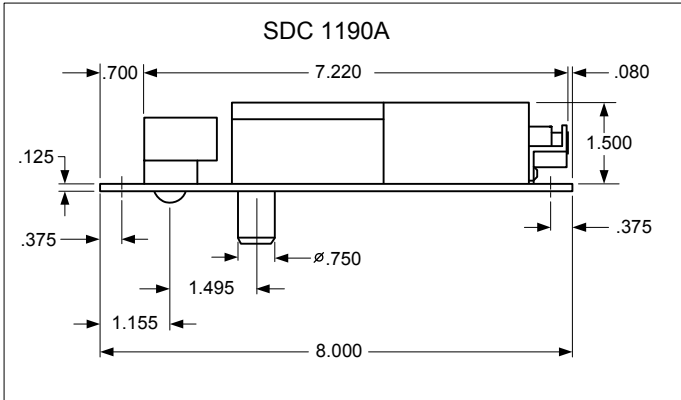
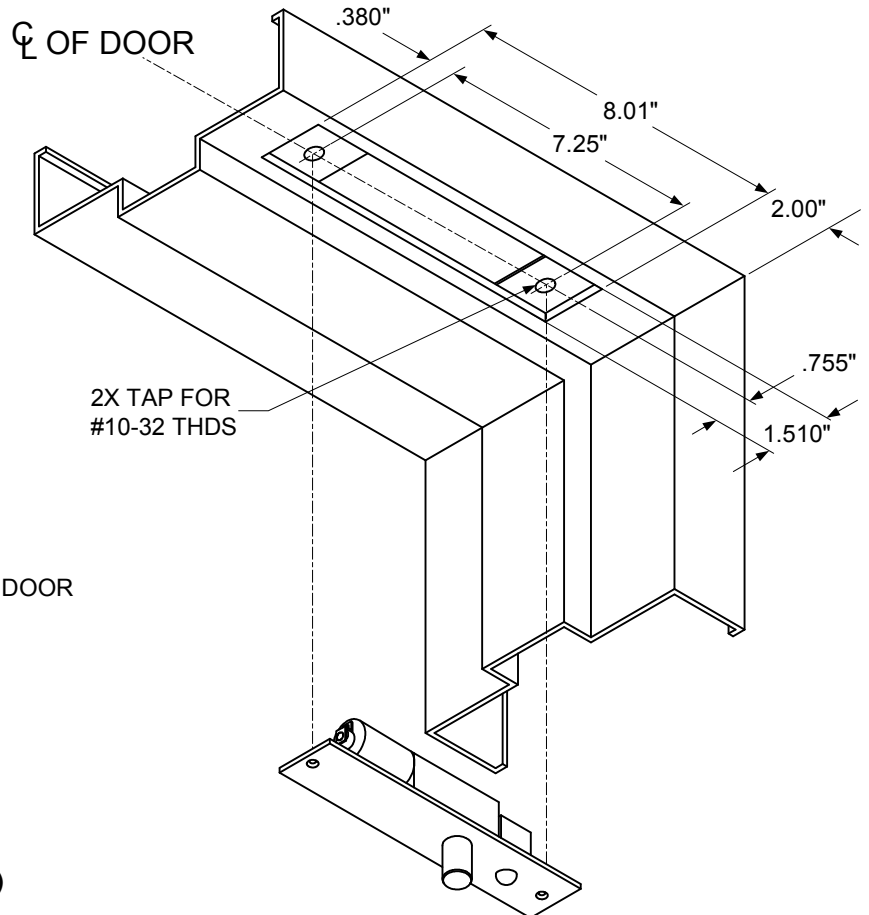
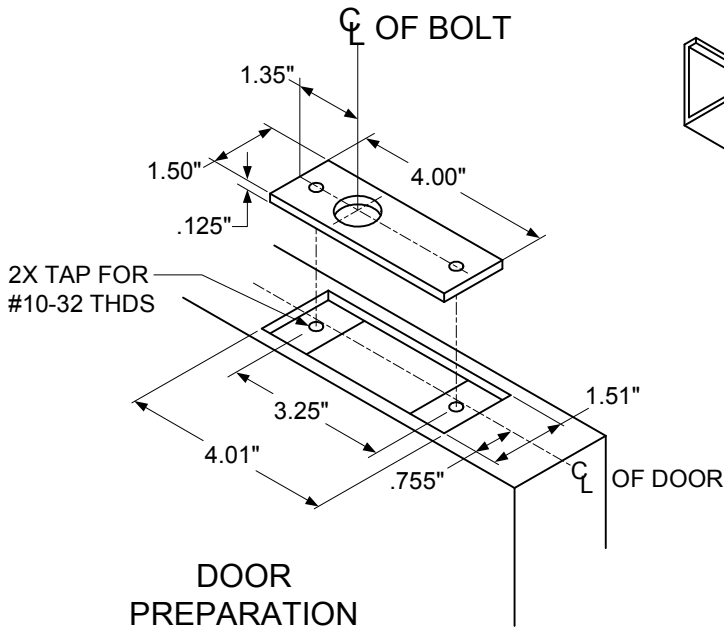


## TEMPLATE-1190A ELECTRIC BOLT LOCK



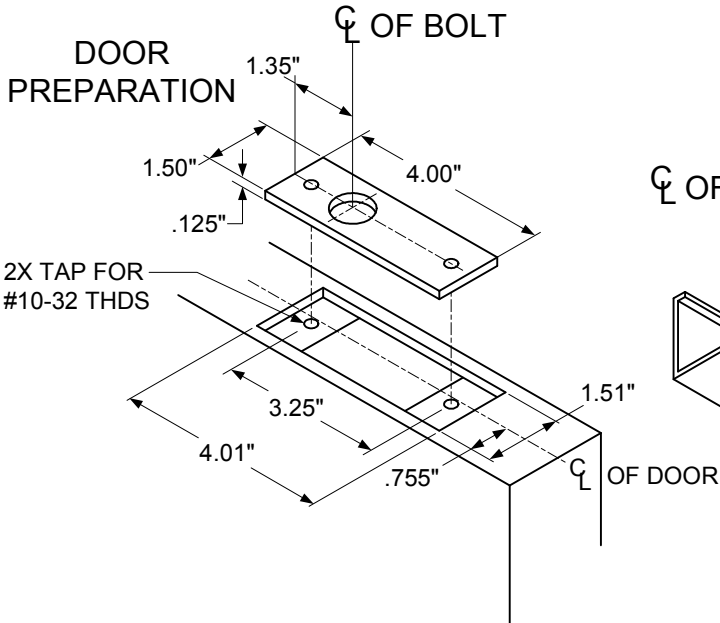
**NOTE: TEMPLATE DIMENSIONS ARE SUBJECT TO CHANGE WITHOUT NOTICE.**



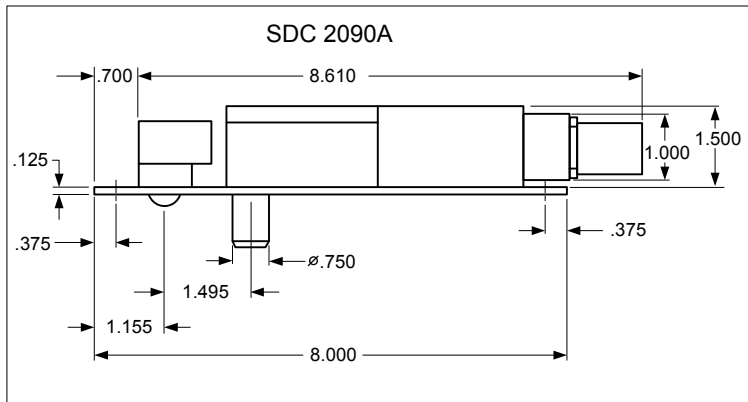
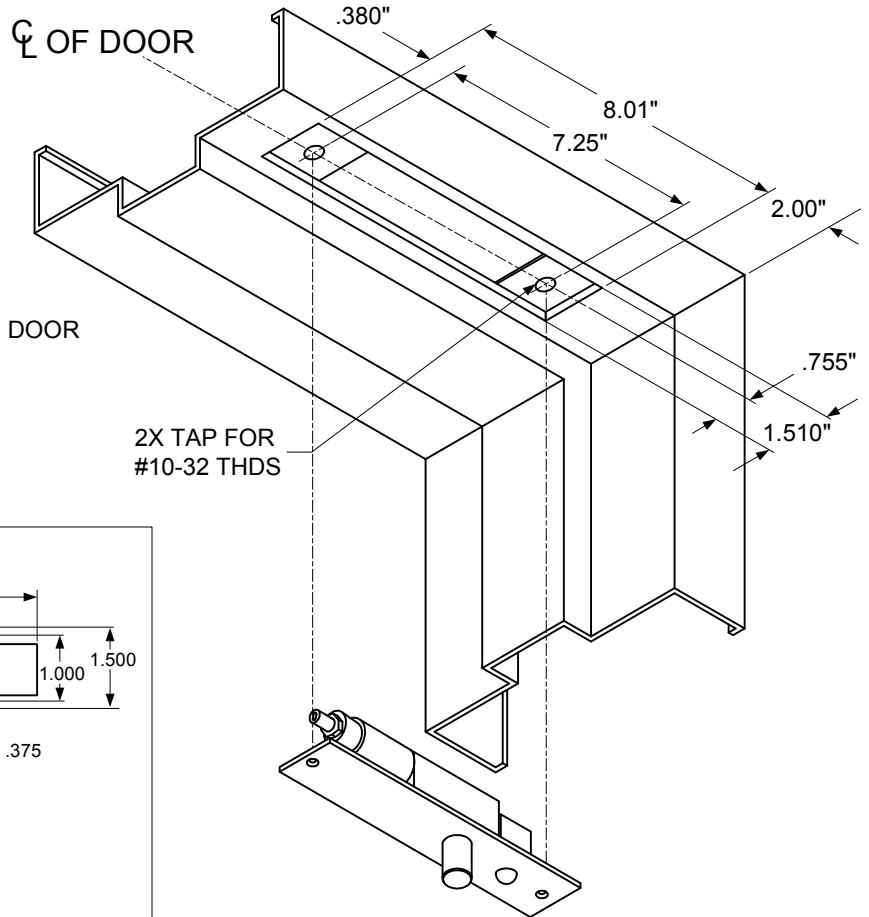
**TECHNICAL DATA (FOR STANDARD UNIT)**  
**FACE PLATE:** 8" x 1-1/2" x 1/8"  
**STRIKE:** 4" x 1-1/2" x 1/8"  
**ID REQUIREMENTS:** 8" x 1-1/2" x 1-1/2"  
**BOLT:** 3/4" DIA. SOLID STAINLESS STEEL  
**BOLT THROW:** 3/4", ROTATING

Any suggestions or comments to this instruction or product are welcome. Please contact us through our website or email engineer@sdsecurity.com

## TEMPLATE-2090A ELECTRIC BOLT LOCK

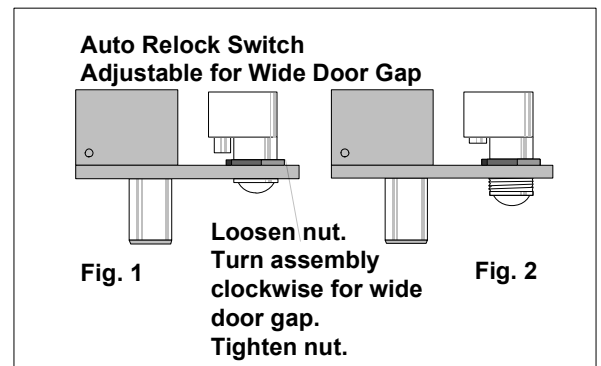


NOTE: TEMPLATE DIMENSIONS ARE SUBJECT TO CHANGE WITHOUT NOTICE.



### TECHNICAL DATA (FOR STANDARD UNIT)

- FACE PLATE:** 8" x 1-1/2" X 1/8"
- STRIKE:** 4" x 1-1/2" x 1/8"
- ID REQUIREMENTS:** 10" x 1-1/2" x 1-1/2"
- FINISH:** US28 STANDARD (PLATED FINISHES OPTIONAL)
- BOLT:** 3/4" DIA. SOLID STAINLESS STEEL
- BOLT THROW:** 3/4", ROTATING
- FAIL-SECURE** – UNLOCKED WHEN ENERGIZED
- AUTO RELOCK SWITCH:** ADJUSTABLE BALL TYPE
- SOLENOID:** CONTINUOUS DUTY
- ELECTRICAL DATA:**
  - INSRUSH 60 WATTS – 2.5 AMPS MAX.
  - SEATED 12 WATTS - .5 AMP MAX. @ 24VDC (SPECIFY VOLTAGE REQUIRED)
- STATUS SENSORS:** BOLT AND DOOR POSITION (OPTIONAL)



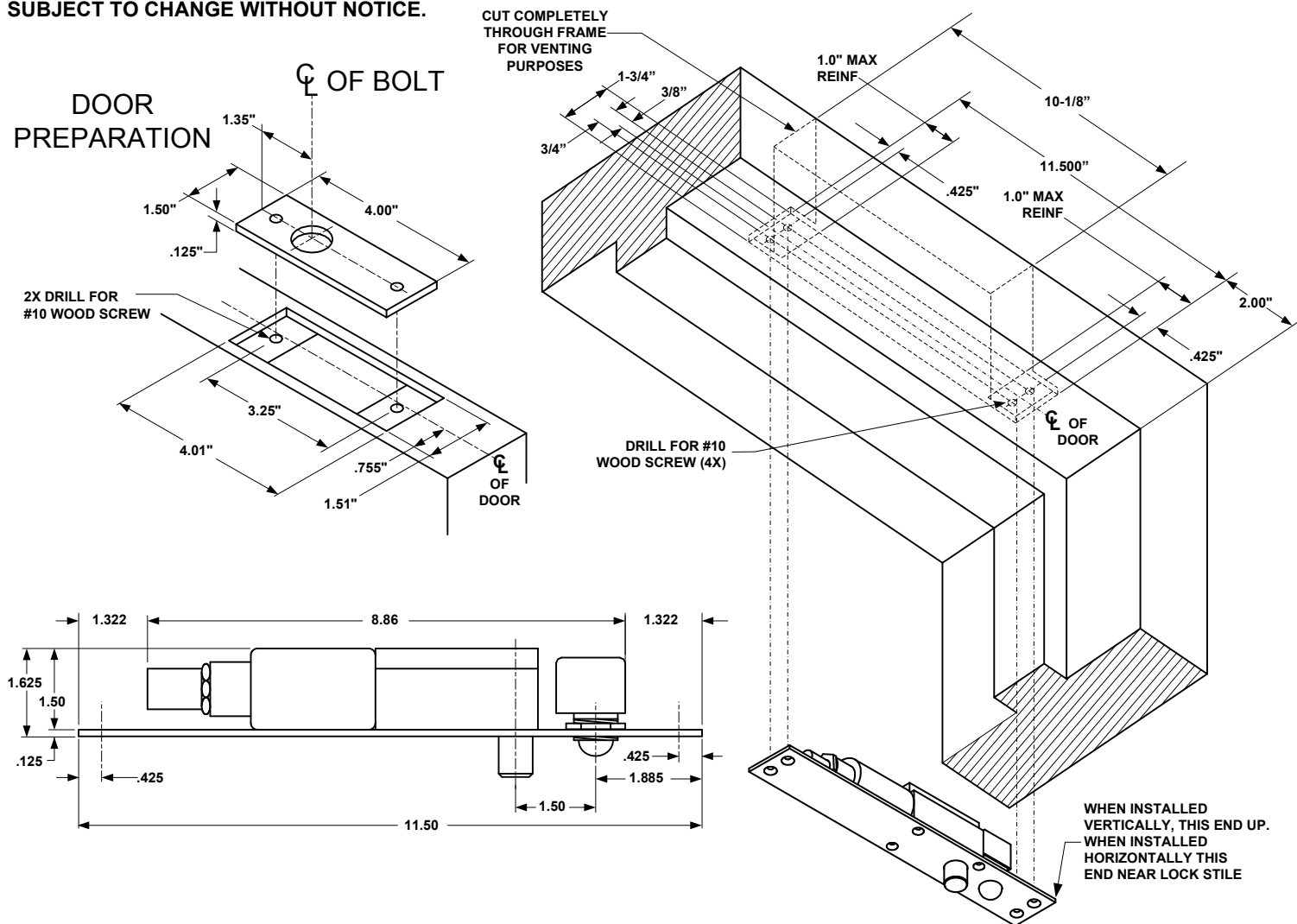
Any suggestions or comments to this instruction or product are welcome. Please contact us through our website or email engineer@sdsecurity.com

# SDC Security Door Controls

801 Avenida Acaso, Camarillo, Ca. 93012 • (805) 494-0622 •  
www.sdcsecurity.com • E-mail: service@sdsecurity.com

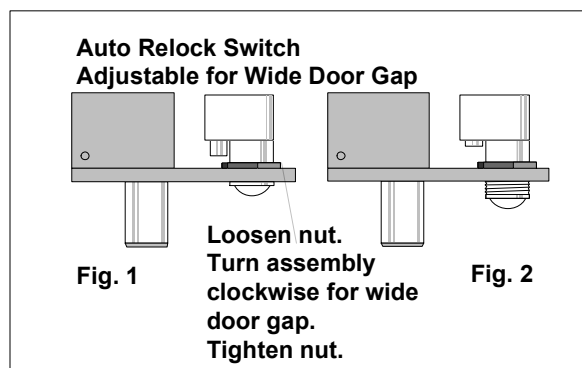
## TEMPLATE 2090AWD WOOD DOOR & FRAME APPLICATION

NOTE: TEMPLATE DIMENSIONS ARE  
SUBJECT TO CHANGE WITHOUT NOTICE.



### TECHNICAL DATA

**FACE PLATE:** 11-1/2" x 1-3/4" x 1/8"  
**STRIKE:** 4" x 1-1/2" x 1/8"  
**ID REQUIREMENTS:** 10" x 1-1/2" x 1-1/2"  
**FINISH:** 630 STAINLESS STEEL (PLATED FINISHES OPTIONAL)  
**BOLT:** 3/4" DIA. SOLID STAINLESS STEEL  
**BOLT THROW:** 3/4", ROTATING  
**FAIL-SECURE** – UNLOCKED WHEN ENERGIZED  
**AUTO RELOCK SWITCH:** ADJUSTABLE BALL TYPE  
**SOLENOID:** CONTINUOUS DUTY  
**ELECTRICAL DATA:**  
 INRUSH 60 WATTS – 2.5 AMPS MAX.  
 SEATED 8 WATTS - .32 AMP MAX. @ 24VDC  
 (SPECIFY VOLTAGE REQUIRED)  
**STATUS SENSORS:** BOLT AND DOOR POSITION (OPTIONAL)



Any suggestions or comments to this instruction or product are welcome. Please contact us through our website or email engineer@sdsecurity.com