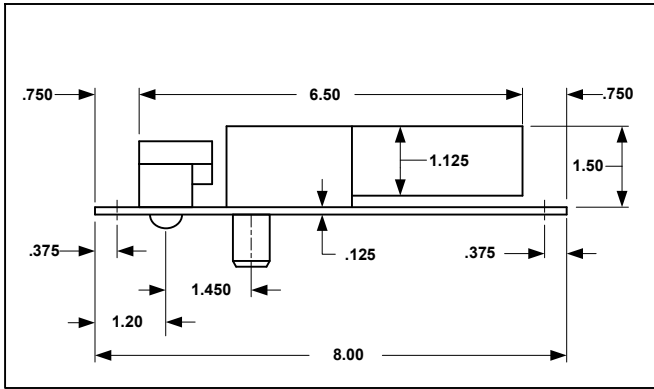


SDC Security Door Controls

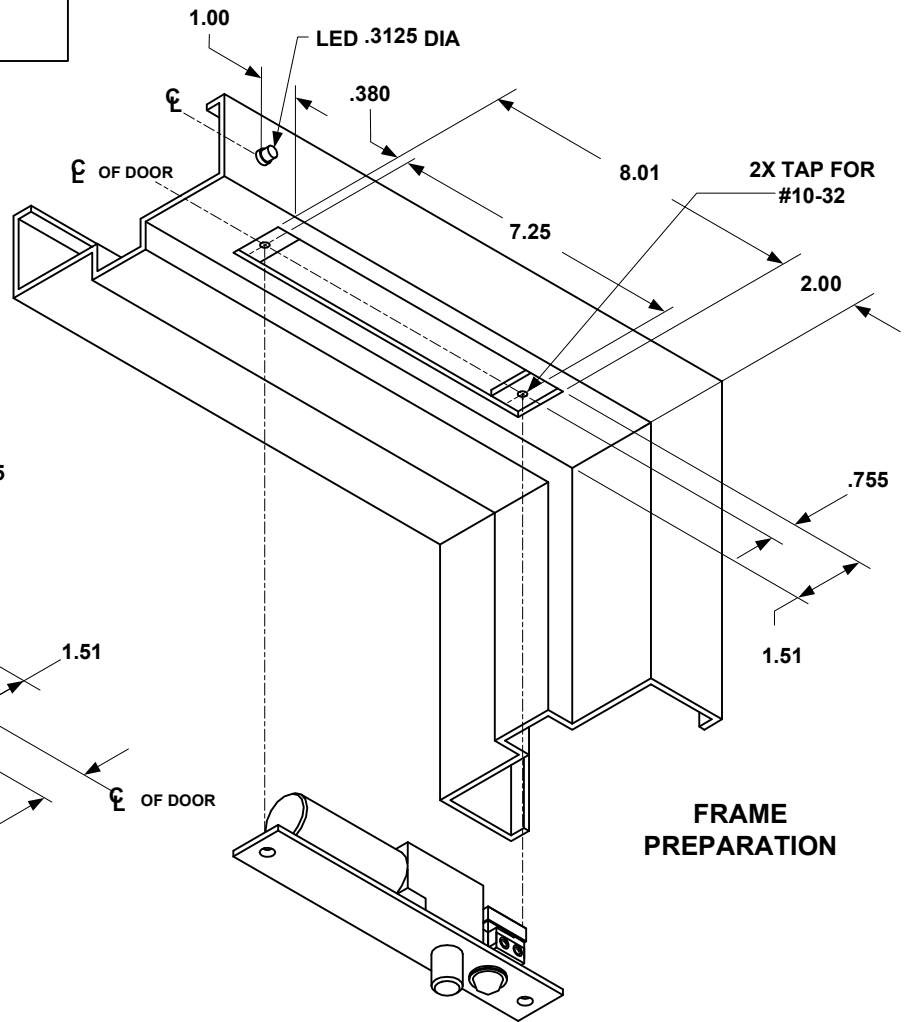
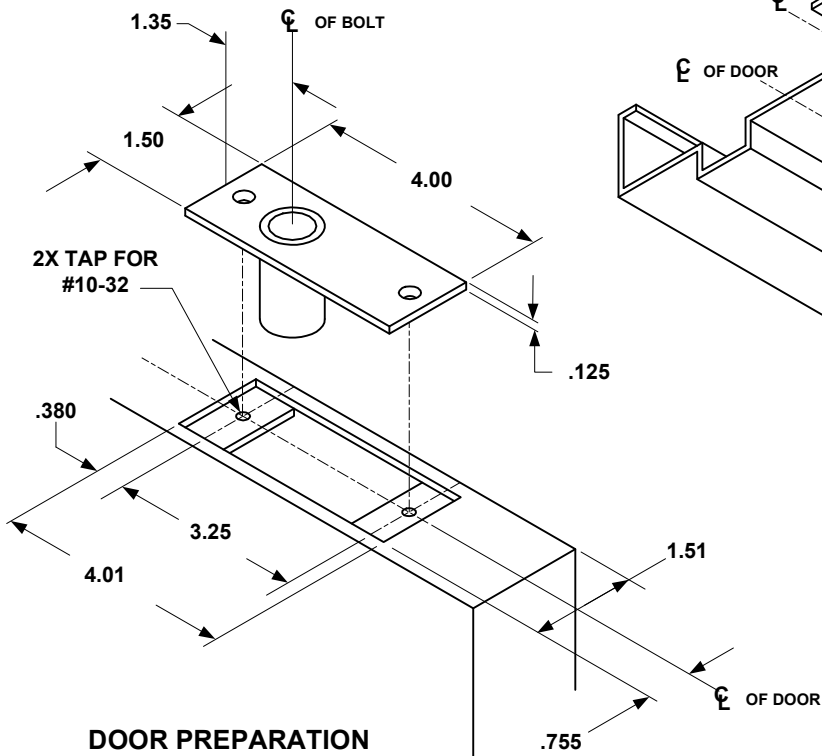
801 Avenida Acaso, Camarillo, Ca. 93012 • (805) 494-0622 •
 www.sdcsecurity.com • E-mail: service@sdsecurity.com



TEMPLATE-FS23MB



NOTE: TEMPLATE DIMENSIONS ARE SUBJECT TO CHANGE WITHOUT NOTICE



TECHNICAL DATA:

- FACE PLATE:** 8" x 1-1/2" x 1/8" (203.2mm x 38.1mm x 3.175mm)
- STRIKE:** 4" x 1-1/2" x 1/8" x 1-9/16" (101.6mm x 38.1mm x 3.175mm x 39.688mm)
- ID REQUIREMENTS:** 8" x 1-1/2" x 1-1/2" (203.2mm x 38.1mm x 38.1mm)
- BOLT:** 5/8" (15.875mm) DIA. NYLON WITH MAGNET INSERT
- BOLT THROW:** 5/8" (15.875mm)