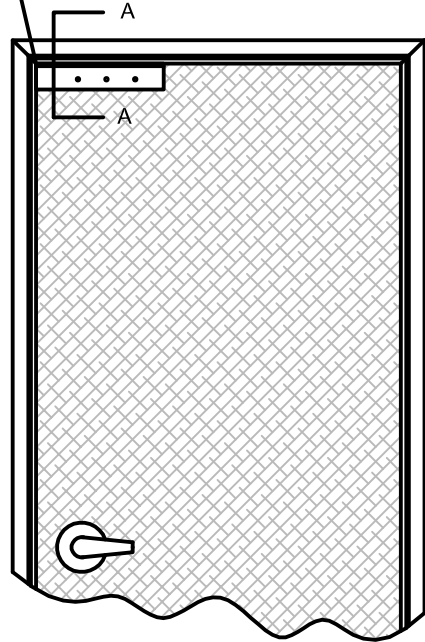


**NOTE: REFERENCE EMLOCK INSTALLATION INSTRUCTIONS.**

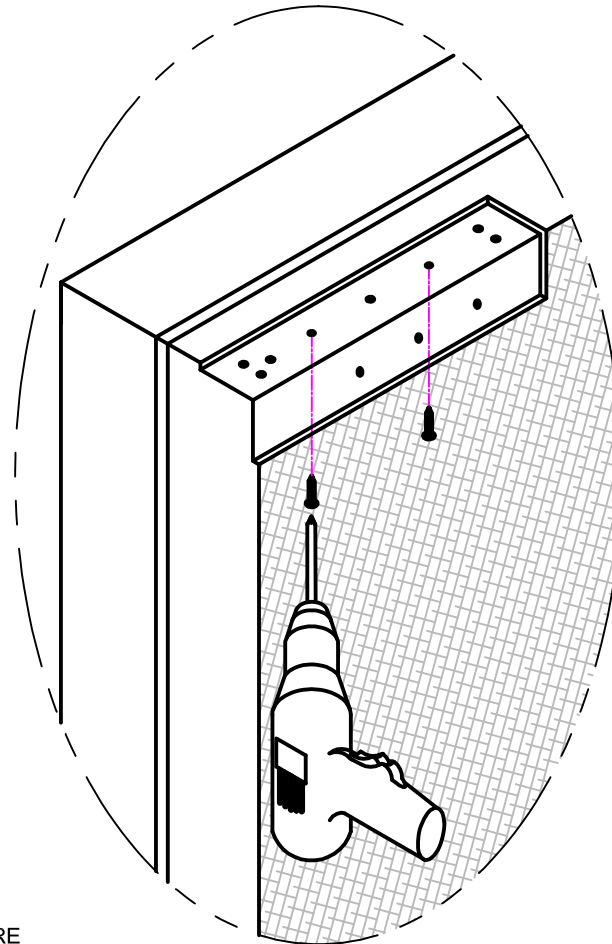
**STEP 1**

Close and latch door.  
Place Drill Fixture directly  
against Header, Frame and Door.



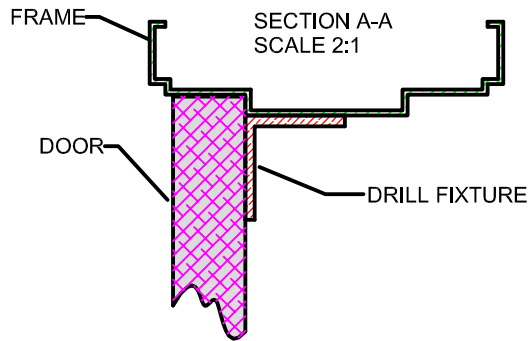
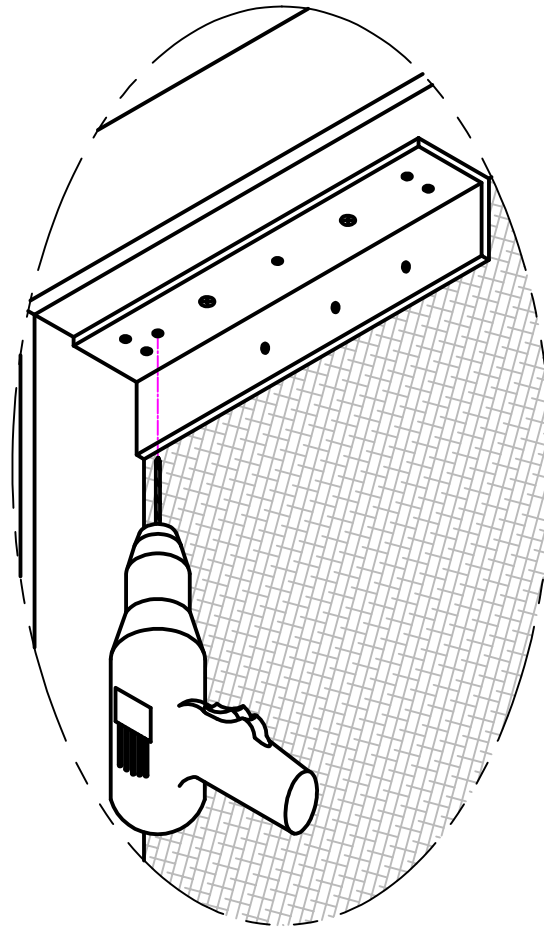
**STEP 2**

Attach Drill Fixture to Header  
with (2) self drilling/tapping screws.



**STEP 3**

Drill 1/8" dia. pilot holes thru bushings on  
Drill Fixture into Header and Door.



**SDC Security Door Controls**

801 Avenida Acaso, Camarillo, Ca. 93012 tel: (805) 494-0622  
e-mail: engineer@sdsecurity.com

TITLE

ILLUSTRATED DRILL  
FIXTURE INSTRUCTIONS

DWG NO. 5285

INST-1511DF  
INST-1581DF  
& E1200DF