

**NOTES:** (1) ALL LOW VOLTAGE SIGNAL WIRING SHALL BE 20-GAUGE MINIMUM. THE MINIMUM INDUCTIVE LOAD (LOCK) POWER WIRE GAUGE SHALL BE DETERMINED PER THE SDC WIRE GAUGE CHART. ALL WIRING (SINGLE OR MULTI-CONDUCTOR) SHALL BE COLOR CODED WITHOUT SPLICES. A MINIMUM OF TWO SPARE CONDUCTORS IS RECOMMENDED. (2) SPECIFY VOLTAGE WHEN ORDERING PRODUCTS. VOLTAGE IS NOT SPECIFIED ON THIS WIRE DIAGRAM, BE SURE ALL PRODUCTS ARE VOLTAGE COMPATIBLE. (3) ALL WIRING MUST CONFORM TO NATIONAL, STATE AND LOCAL CODES. (4) ALWAYS CONSULT WITH THE AUTHORITY HAVING JURISDICTION (AHJ) BEFORE INSTALLATION. (5) WHERE REQUIRED BY CODE, CONNECT FAILSAFE SYSTEMS TO THE LOCAL FIRE LIFE SAFETY SYSTEM FOR EMERGENCY RELEASE.


**Components**

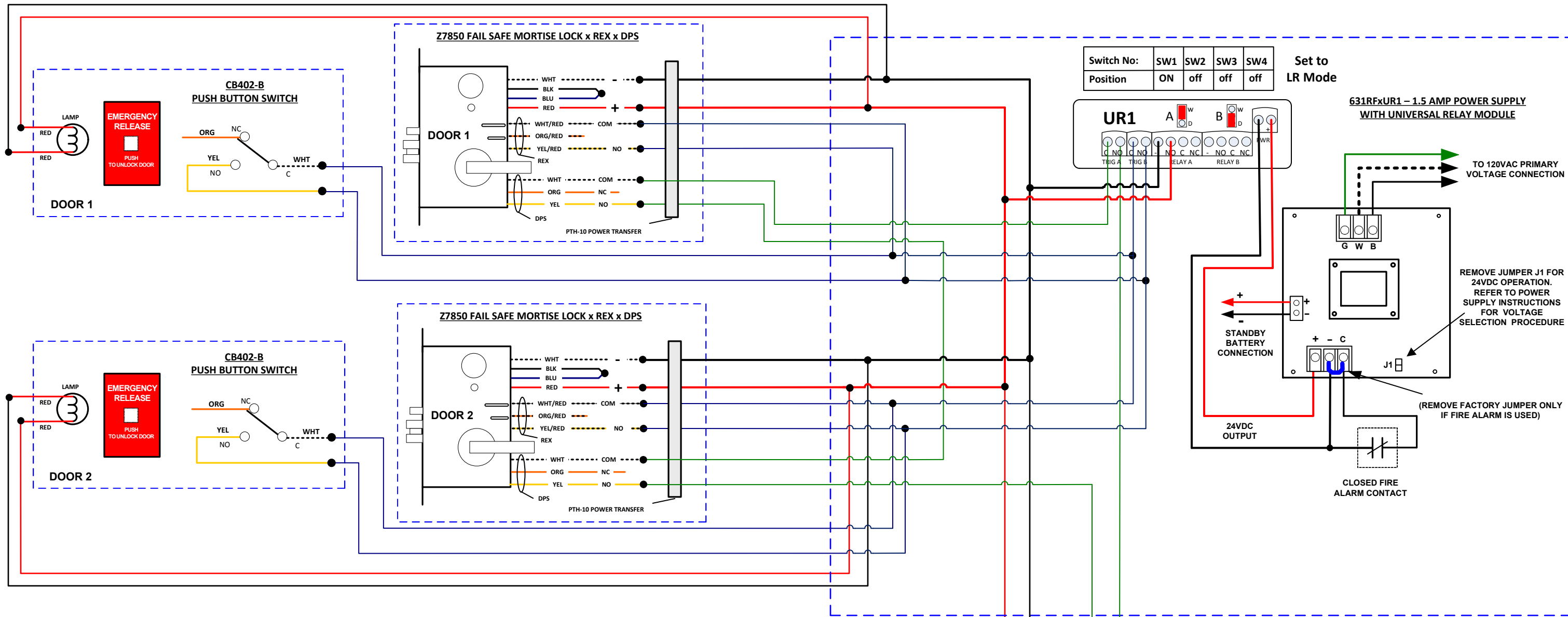
Qty	Description	Part Number	Manufacturer
2	Fail Safe Electrified Mortise Lock w/ REX & DPS	Z7850URD	SDC
1	1.5 Amp Power Supply x Universal Relay Module	631RF x UR1	SDC
2	Emergency Access Push Button Switch	CB402B	SDC
1	System Activation Push Button Switch	CB402A	SDC
2	Power Transfer Hinge	PTH-10	SDC

**Method of Operation**

Both doors shall be normally unlocked. System Activation: Both doors must be closed to lock. Pressing the CB402A Push Button will lock all the doors. Egress: When the doors are locked, turning either door's inside lever unlocks both doors. Emergency Release: When the doors are locked, activating either CB402B Emergency Push Buttons will unlock both the doors. Both doors will unlock automatically via signal from the fire panel.

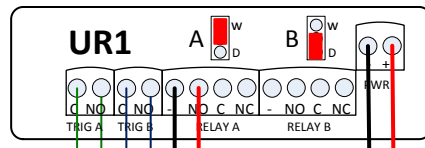
© Security Door Controls

PROJECT NAME: Solution #1 - Communicating Bath		LOCATION.:	TITLE: Comm Bath Z7850 w/REX & DPS - 631RFxUR1		
 <b>Security Door Controls</b> 801 Avenida Acaso Camarillo, CA 93012 f 805.494.0622 ~ f 805.494.8861 www.sdcsecurity.com	NOTE: ALL WIRING MUST BE REVIEWED AND APPROVED BY THE PROJECT ENGINEER ASSIGNED TO THE LOCATION FOR IT'S CORRECTNESS AND SUITABILITY FOR THE APPLICATION IN THE WHICH THE EQUIPMENT INSTALLED AND OPERATED. ALL WIRING MUST CONFORM TO NATIONAL, STATE, AND LOCAL CODES FOR CLASS 2 FIRE PROTECTION AND CONTROL DEVICES.		DIST.:	SO NO.:	REV A
			CONTACT:	DATE:	DRAWN BY:

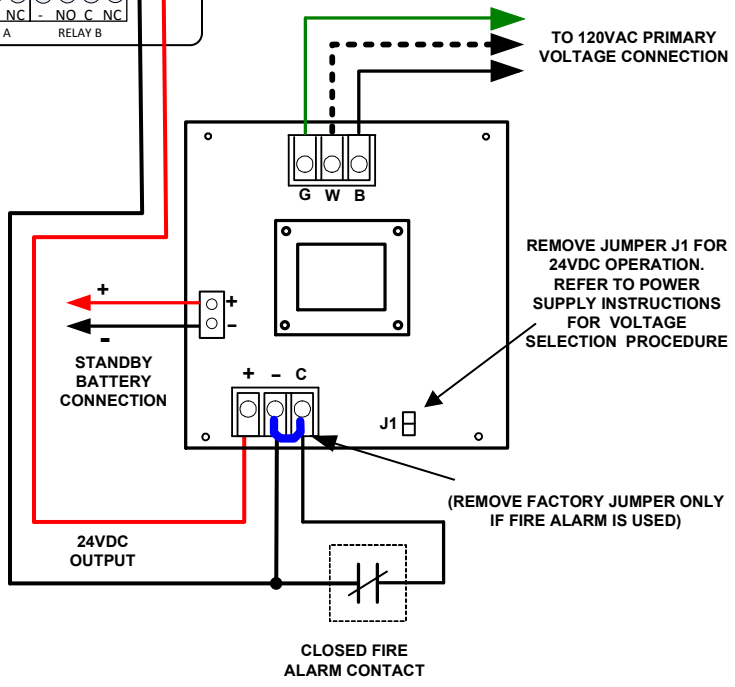


Switch No:	SW1	SW2	SW3	SW4
Position	ON	off	off	off

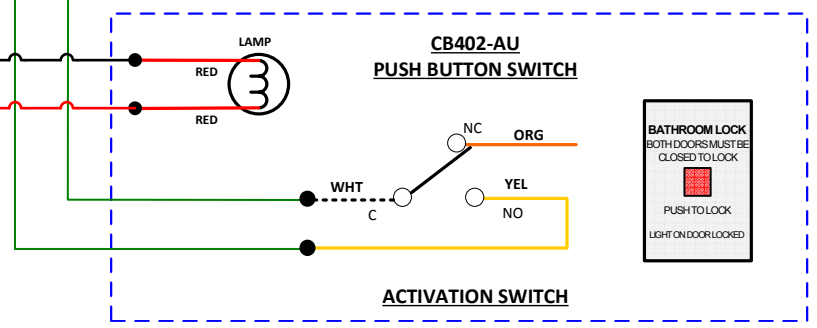
Set to LR Mode



631RFxUR1 - 1.5 AMP POWER SUPPLY WITH UNIVERSAL RELAY MODULE



- NOTES:**
- (1) ALL LOW VOLTAGE SIGNAL WIRING SHALL BE 18-GAUGE MINIMUM. THE MINIMUM INDUCTIVE LOAD (LOCK) POWER WIRE GAUGE SHALL BE DETERMINED PER THE SDC WIRE GAUGE CHART. ALL WIRING (SINGLE OR MULTI-CONDUCTOR) SHALL BE COLOR CODED WITHOUT SPLICES. A MINIMUM OF TWO SPARE CONDUCTORS IS RECOMMENDED.
  - (2) SPECIFY VOLTAGE WHEN ORDERING PRODUCTS. VOLTAGE IS NOT SPECIFIED ON THIS WIRE DIAGRAM, BE SURE ALL PRODUCTS ARE VOLTAGE COMPATIBLE.
  - (3) ALL WIRING MUST CONFORM TO NATIONAL, STATE AND LOCAL CODES.
  - (4) ALWAYS CONSULT WITH THE AUTHORITY HAVING JURISDICTION (AHJ) BEFORE INSTALLATION.
  - (5) WHERE REQUIRED BY CODE, CONNECT FAILSAFE SYSTEMS TO THE LOCAL FIRE LIFE SAFETY SYSTEM FOR EMERGENCY RELEASE.
  - (6) DOOR POSITION SWITCHES SHOWN WITH THE DOOR CLOSED



© Security Door Controls

<p><b>Security Door Controls</b> 801 Avenida Acaso Camarillo, CA 93012 t 805.494.0622 ~ f 805.494.8861 www.sdcsecurity.com</p>	<p>NOTE: ALL WIRING MUST BE REVIEWED AND APPROVED BY THE PROJECT ENGINEER ASSIGNED TO THE LOCATION FOR ITS CORRECTNESS AND SUITABILITY FOR THE APPLICATION IN THE WHICH THE EQUIPMENT INSTALLED AND OPERATED. ALL WIRING MUST CONFORM TO NATIONAL, STATE, AND LOCAL CODES FOR CLASS 2 FIRE PROTECTION AND CONTROL DEVICES.</p>	PROJECT NAME:	TITLE:			SO NO.:	REV
		Solution #1 - Communicating Bath	Comm Bath Z7850 w/REX & DPS - 631RFxUR1				A
LOCATION.:	DIST.:	CONTACT:	DATE:	DRAWN BY:	DWG. NO.:	Page 2 of 2	