

NOTES:

- (1) ALL LOW VOLTAGE SIGNAL WIRING SHALL BE 18-GAUGE MINIMUM. THE MINIMUM INDUCTIVE LOAD (LOCK) POWER WIRE GAUGE SHALL BE DETERMINED PER THE SDC WIRE GAUGE CHART. ALL WIRING (SINGLE OR MULTI-CONDUCTOR) SHALL BE COLOR CODED WITHOUT SPLICES. A MINIMUM OF TWO SPARE CONDUCTORS IS RECOMMENDED.
- (2) SPECIFY VOLTAGE WHEN ORDERING PRODUCTS. VOLTAGE IS NOT SPECIFIED ON THIS WIRE DIAGRAM, BE SURE ALL PRODUCTS ARE VOLTAGE COMPATIBLE.
- (3) ALL WIRING MUST CONFORM TO NATIONAL, STATE AND LOCAL CODES.
- (4) ALWAYS CONSULT WITH THE AUTHORITY HAVING JURISDICTION (AHJ) BEFORE INSTALLATION.
- (5) WHERE REQUIRED BY CODE, CONNECT FAILSAFE SYSTEMS TO THE LOCAL FIRE LIFE SAFETY SYSTEM FOR EMERGENCY RELEASE.
- (6) DOOR POSITION SWITCHES SHOWN WITH THE DOOR CLOSED


Components

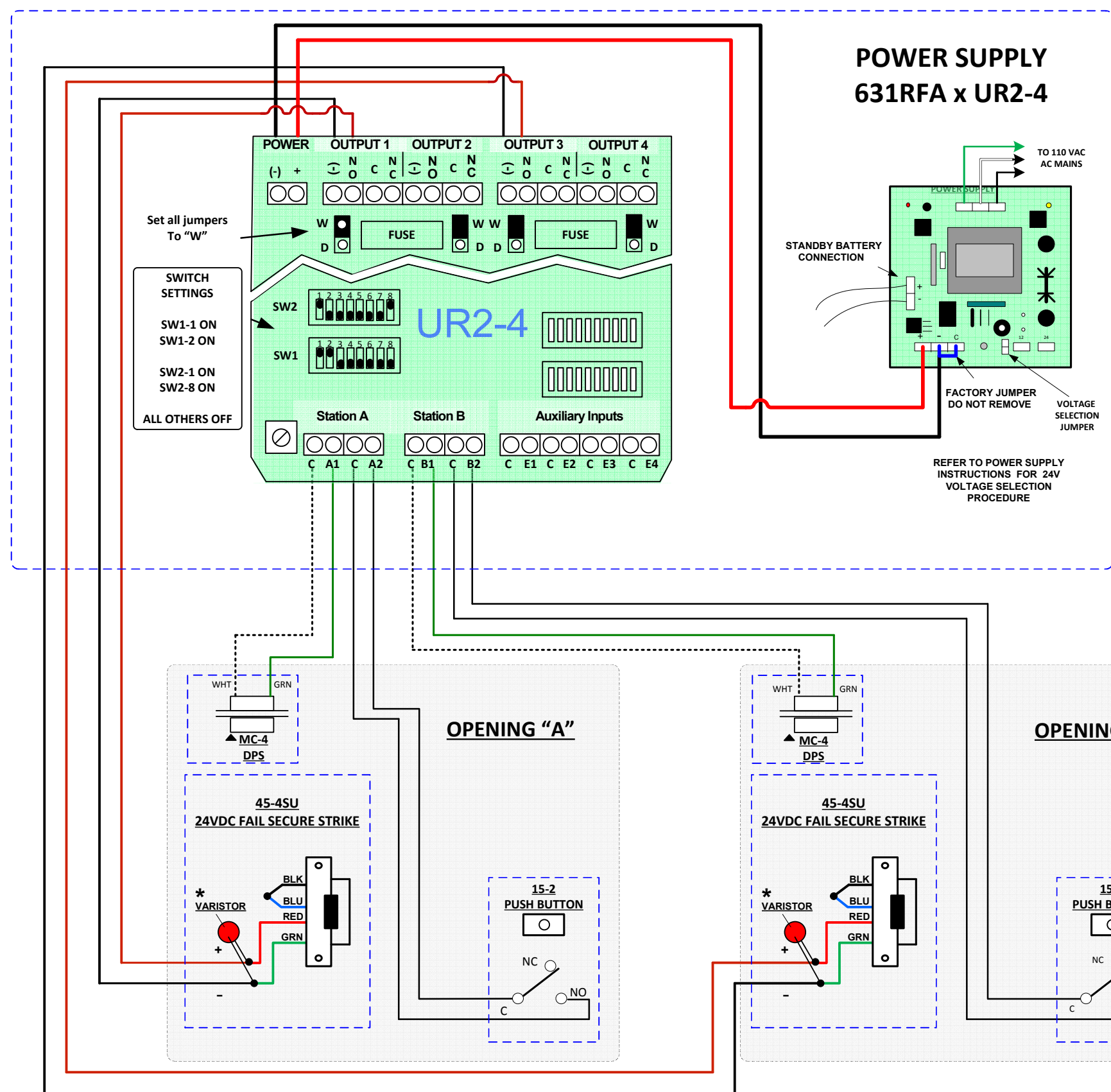
Qty	Description	Part Number	Manufacturer
2	Electric Strike	45-4SU	SDC
1	Power Supply w/ Dual Interlock Circuit Board	631RFA x UR2-4	SDC
2	Momentary SPDT - Push Button Switches	15-2 x SPDT x MOM	SDC
2	Magnetic Door Position Switches (DPS)	MC-4	SDC

Method of Operation

Both doors remain closed and locked. Unlocking any door causes the other door to be incapable of being unlocked. Both openings have mechanical locks that are latched & unlatched by electric strikes. Access / Egress: Entering is accomplished by either mechanical key or push button control from inside a cash room. Egress is free at all times.

© Security Door Controls

 Security Door Controls 801 Avenida Acaso Camarillo, CA 93012 f 805.494.0622 ~ f 805.494.8861 www.sdcsecurity.com	NOTE: ALL WIRING MUST BE REVIEWED AND APPROVED BY THE PROJECT ENGINEER ASSIGNED TO THE LOCATION FOR ITS CORRECTNESS AND SUITABILITY FOR THE APPLICATION IN THE WHICH THE EQUIPMENT INSTALLED AND OPERATED. ALL WIRING MUST CONFORM TO NATIONAL, STATE, AND LOCAL CODES FOR CLASS 2 FIRE PROTECTION AND CONTROL DEVICES.	PROJECT NAME:	TITLE:			SO NO.:	REV
		Solution #11 - Two Door Mantrap B	Riser Diagram - Mantrap B			-	C
LOCATION.:	DIST.:	CONTACT:	DATE:	DRAWN BY:	DWG. NO.:	Page 1 of 2	
-	-	-	-	CY	-		



Set all jumpers To "W"

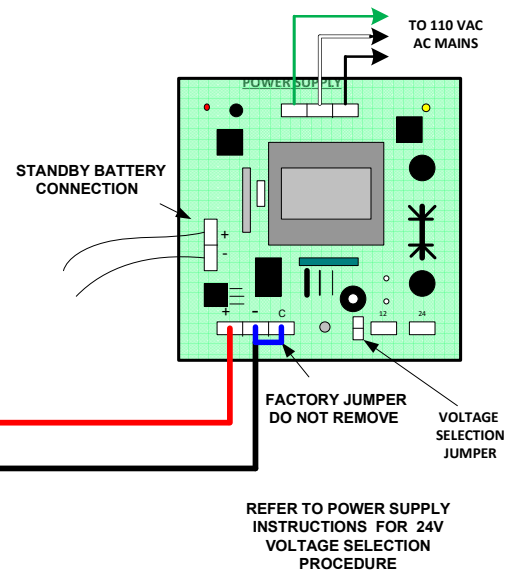
SWITCH SETTINGS

SW1-1 ON
SW1-2 ON

SW2-1 ON
SW2-8 ON

ALL OTHERS OFF

**POWER SUPPLY
631RFA x UR2-4**



NOTES:

* INSTALL METAL OXIDE VARISTOR (MOV) AS CLOSE TO STRIKE AS POSSIBLE TO PREVENT KICKBACK VOLTAGE FROM DAMAGING THE CONTROLLER BOARD.

▲ MC-4 SWITCHES ARE WIRED TO BE OPEN WHEN THE DOOR IS CLOSED

<p>Security Door Controls 801 Avenida Acaso Camarillo, CA 93012 t 805.494.0622 ~ f 805.494.8861 www.sdcsecurity.com</p>	<p>NOTE: ALL WIRING MUST BE REVIEWED AND APPROVED BY THE PROJECT ENGINEER ASSIGNED TO THE LOCATION FOR ITS CORRECTNESS AND SUITABILITY FOR THE APPLICATION IN THE WHICH THE EQUIPMENT INSTALLED AND OPERATED. ALL WIRING MUST CONFORM TO NATIONAL, STATE, AND LOCAL CODES FOR CLASS 2 FIRE PROTECTION AND CONTROL DEVICES.</p>	PROJECT NAME:	TITLE:	SO NO.:	REV
		<p>Solution #11 - Two Door Mantrap B</p>	<p>Mantrap B Wiring</p>	-	C
LOCATION.:	DIST.:	CONTACT:	DATE:	DRAWN BY:	DWG. NO.:
-	-	-	-	CY	-