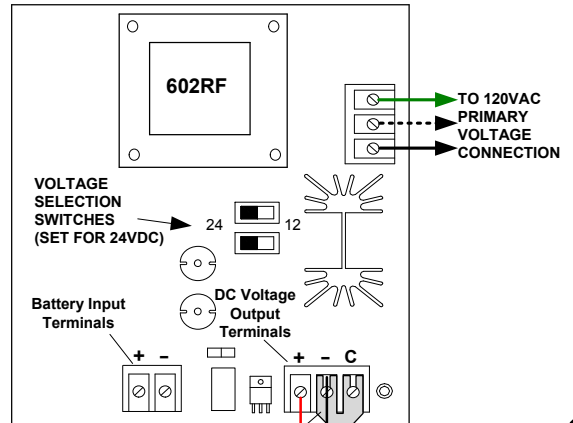
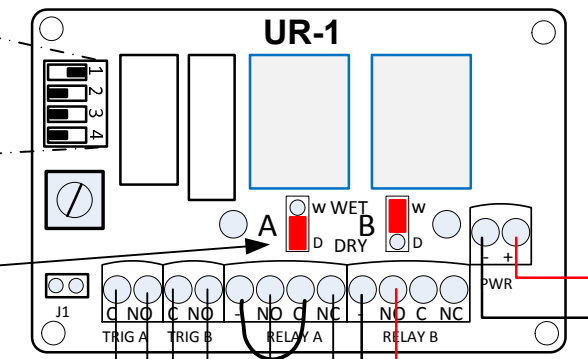


- System Components:**
- (1) 602RFXUR1 – 1A Power Supply w/ Comm. Bath Controller
  - (1) CB402-A – Activation Button
  - (2) CB402-B – Emergency Release Button
  - (2) Z7250 – Electrified Cylindrical Lock
  - (2) PTH-4Q-DPS – 4.5"x4.5" Power Transfer Hinge w/ integral DPS
  - (2) EA100 – LED Annunciator

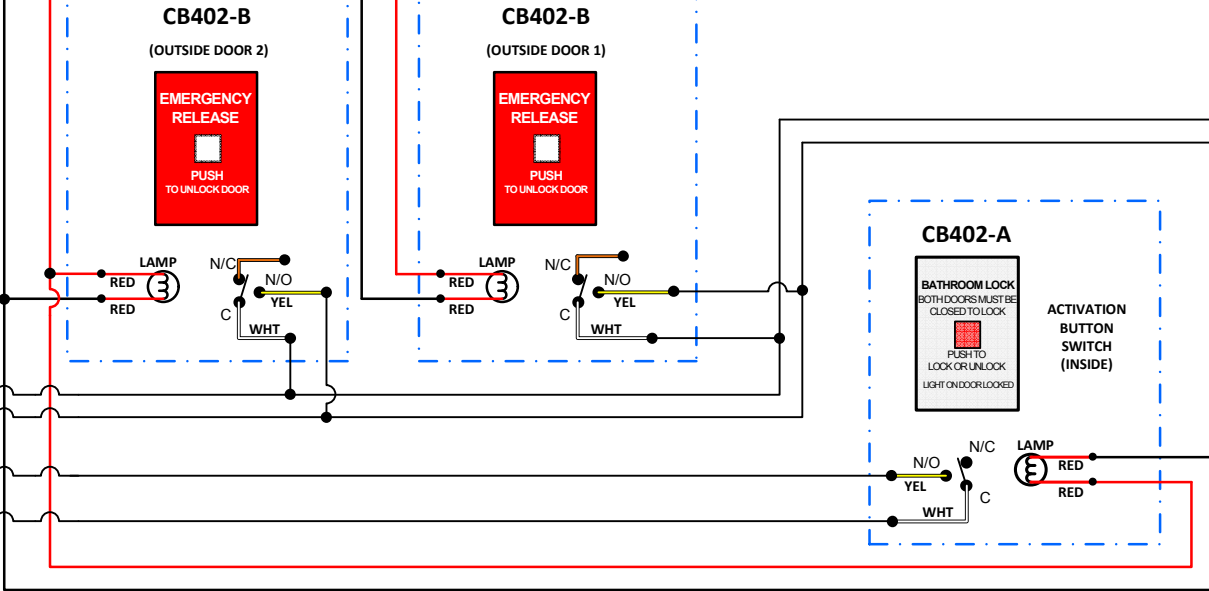


**ROCKER SWITCH SETTINGS:**  
SWITCH #1 IS ON  
ALL OTHER SWITCHES OFF

**WET/DRY SELECTION JUMPERS:**  
"A" set to DRY  
"B" set to WET



(Remove factory installed jumper only when fire alarm interface is used)



**Method of Operation:**

Both doors are normally closed and unlocked. The LED annunciator outside each door will illuminate Green to indicate the bathroom is available.

**System Activation:**

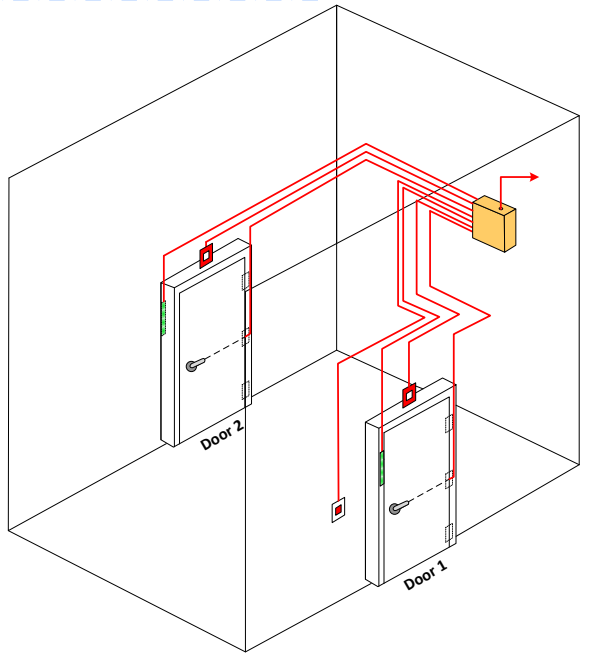
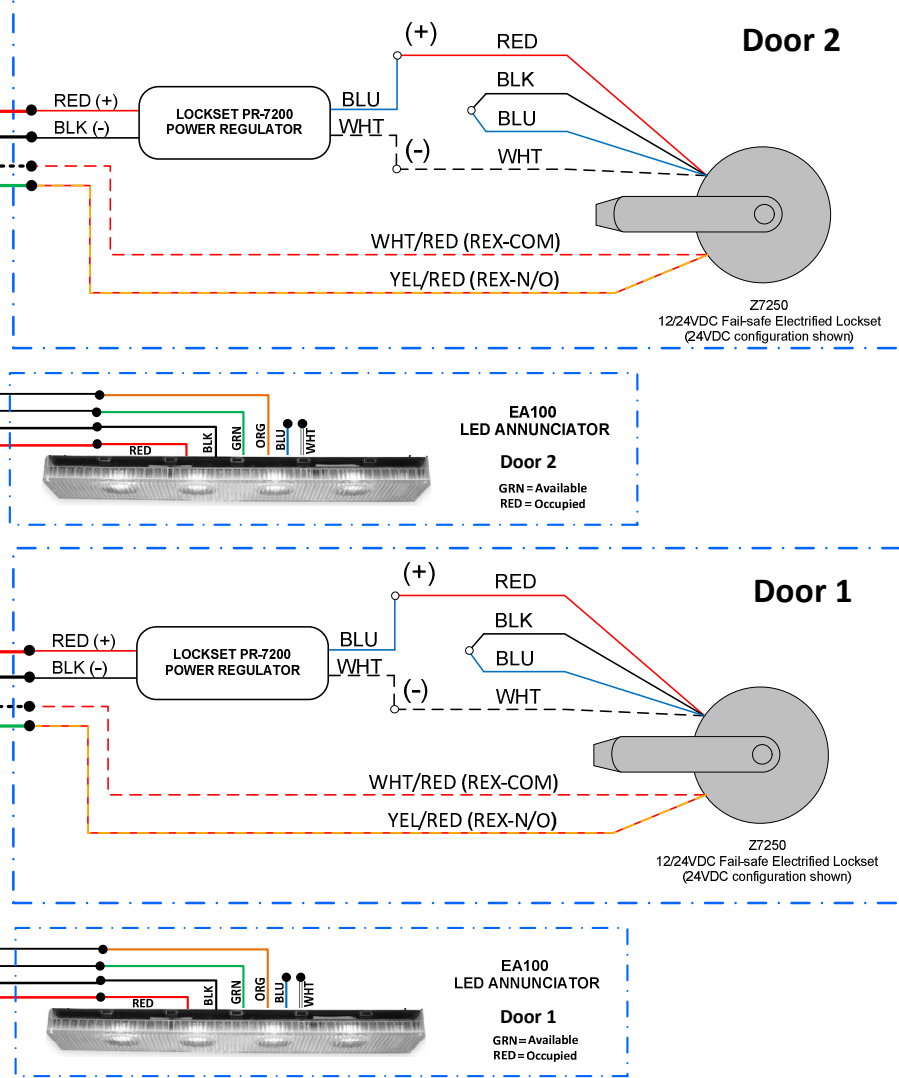
Upon entering the bathroom and closing both doors, momentarily pressing the Activation Button will lock both doors and turn ON the indicator lamps on the Activation and Emergency Release Buttons indicating the system is active. The LED Annunciators will illuminate Red to indicate the bathroom is occupied.

**System Deactivation:**

Operating the inside lever to retract the latch on either door will unlock both doors and turn off all indicator lamps. Using a key override from the outside to enter either door will also reset the system and unlock both doors. The LED annunciator returns to Green.

**Emergency Override:**

Momentarily pressing either Emergency Release Button located outside each door will immediately unlock both doors and reset the system.



<p><b>Security Door Controls</b> 801 Avenida Acaso Camarillo, CA 93012 f 805.494.0622 ~ f 805.494.8861 www.sdcsecurity.com</p>	<p>NOTE: ALL WIRING MUST BE REVIEWED AND APPROVED BY THE PROJECT ENGINEER ASSIGNED TO THE LOCATION FOR ITS CORRECTNESS AND SUITABILITY FOR THE APPLICATION IN THE WHICH THE EQUIPMENT INSTALLED AND OPERATED. ALL WIRING MUST CONFORM TO NATIONAL, STATE, AND LOCAL CODES FOR CLASS 2 FIRE PROTECTION AND CONTROL DEVICES.</p>	PROJECT NAME:	TITLE: 2-Door Communicating Bath System – Electrified Cylindrical Solution			SO NO.:	REV
		LOCATION.:	DIST.:	CONTACT: service@sdsecurity.com	DATE: 10/14	DRAWN BY:	DWG. NO.: