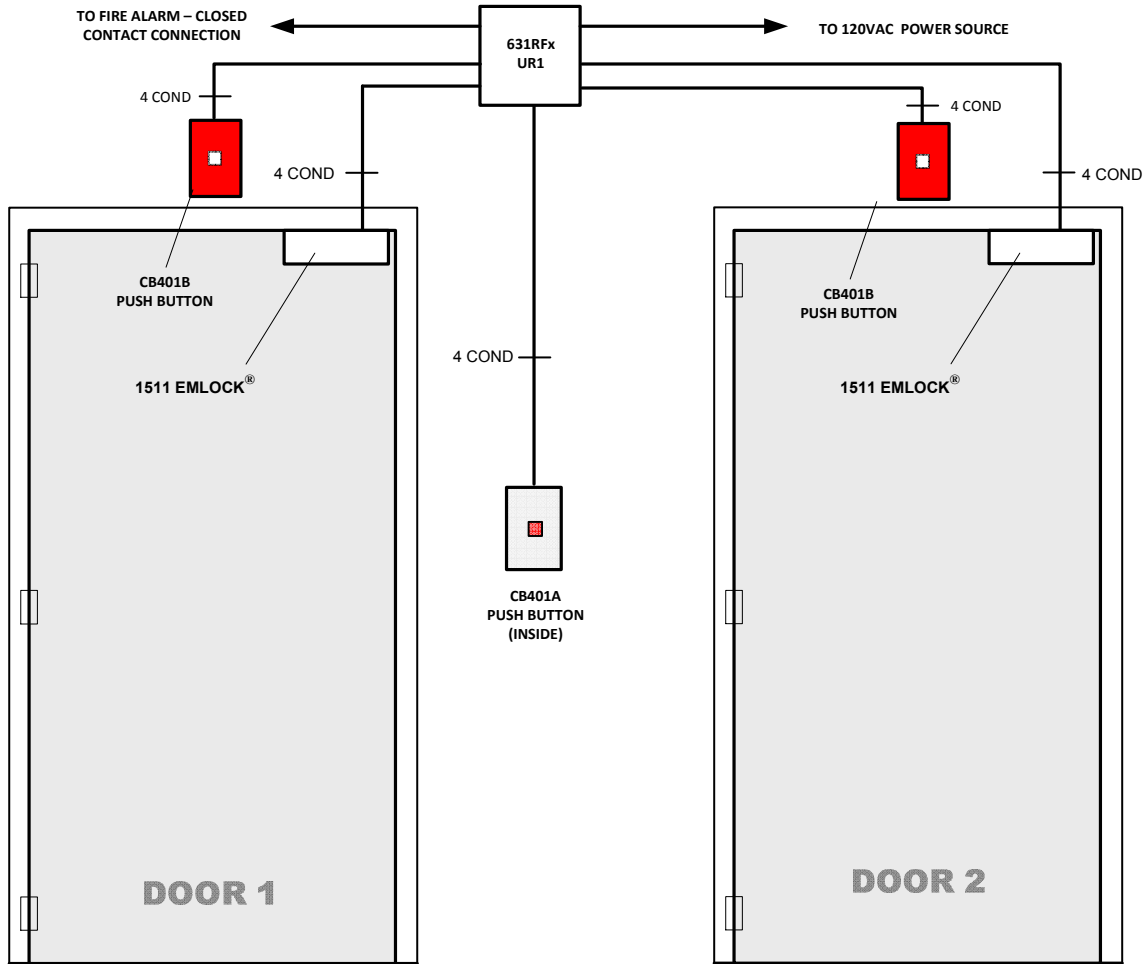


## RISER DIAGRAM



**NOTES:** (1) ALL LOW VOLTAGE SIGNAL WIRING SHALL BE 20-GAUGE MINIMUM. THE MINIMUM INDUCTIVE LOAD (LOCK) POWER WIRE GAUGE SHALL BE DETERMINED PER THE SDC WIRE GAUGE CHART. ALL WIRING (SINGLE OR MULTI-CONDUCTOR) SHALL BE COLOR CODED WITHOUT SPLICES. A MINIMUM OF TWO SPARE CONDUCTORS IS RECOMMENDED. (2) SPECIFY VOLTAGE WHEN ORDERING PRODUCTS. VOLTAGE IS NOT SPECIFIED ON THIS WIRE DIAGRAM, BE SURE ALL PRODUCTS ARE VOLTAGE COMPATIBLE. (3) ALL WIRING MUST CONFORM TO NATIONAL, STATE AND LOCAL CODES. (4) ALWAYS CONSULT WITH THE AUTHORITY HAVING JURISDICTION (AHJ) BEFORE INSTALLATION. (5) WHERE REQUIRED BY CODE, CONNECT FAILSAFE SYSTEMS TO THE LOCAL FIRE LIFE SAFETY SYSTEM FOR EMERGENCY RELEASE.

### Components

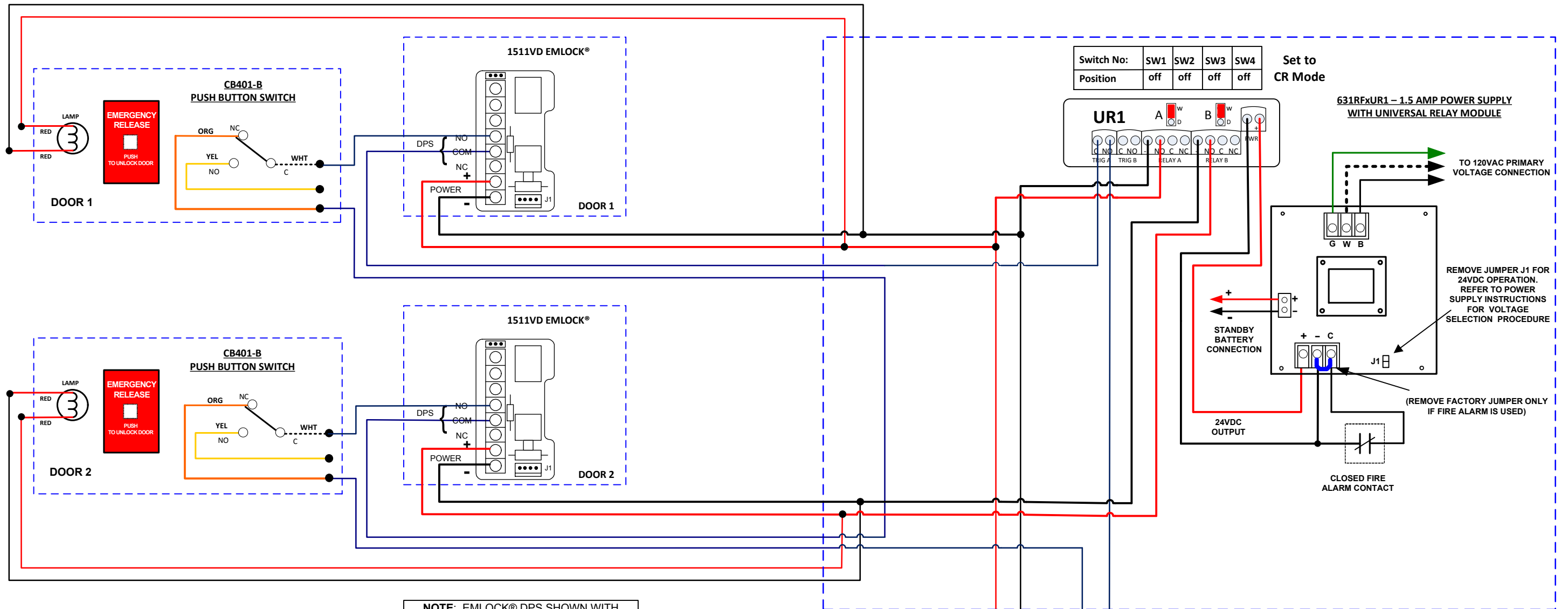
Qty	Description	Part Number	Manufacturer
2	1650lb. Magnetic Lock w/ Door Position Switch	1511VD	SDC
1	1.5 Amp Power Supply x Universal Relay Module	631RF x UR1	SDC
2	Emergency Access Push Button Switch	CB401B	SDC
1	System Activation Push Button Switch	CB401AU	SDC

### Method of Operation

Both doors shall be normally unlocked. **System Activation:** All doors must be closed to lock. Pressing the CB401A Push Button will lock all the doors. **Egress:** When the doors are locked, pressing the CB401A Push Button again unlocks all the doors. **Emergency Release:** When the doors are locked, activating either of the CB401B Emergency Push Buttons will unlock both doors. Both doors will unlock automatically via signal from the fire panel.

© Security Door Controls

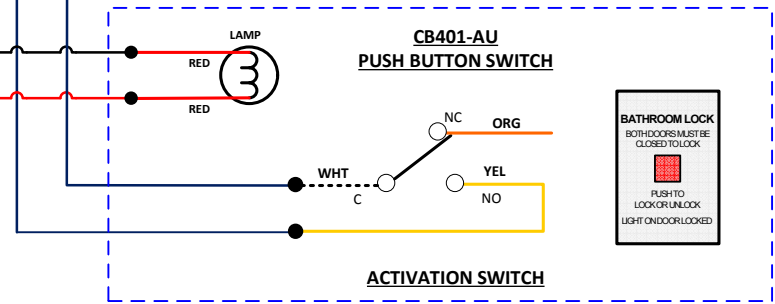
PROJECT NAME: Solution #2 - Communicating Bath		LOCATION:.		TITLE: Comm Bath 1511 EMLock w/DPS - 631RFxUR1				
	<b>Security Door Controls</b> 801 Avenida Acaso Camarillo, CA 93012 f 805.494.0622 ~ f 805.494.8861 www.sdcsecurity.com	NOTE: ALL WIRING MUST BE REVIEWED AND APPROVED BY THE PROJECT ENGINEER ASSIGNED TO THE LOCATION FOR IT'S CORRECTNESS AND SUITABILITY FOR THE APPLICATION IN WHICH THE EQUIPMENT INSTALLED AND OPERATED. ALL WIRING MUST CONFORM TO NATIONAL, STATE, AND LOCAL CODES FOR CLASS 2 FIRE PROTECTION AND CONTROL DEVICES.			DIST.:		SO NO.:	REV <b>A</b>
		CONTACT:	DATE:	DRAWN BY:	DWG. NO.:		Page 1 of 2	



**NOTE:** EMLOCK® DPS SHOWN WITH DOOR IN THE CLOSED POSITION.

**NOTES:**

- (1) ALL LOW VOLTAGE SIGNAL WIRING SHALL BE 18-GAUGE MINIMUM. THE MINIMUM INDUCTIVE LOAD (LOCK) POWER WIRE GAUGE SHALL BE DETERMINED PER THE SDC WIRE GAUGE CHART. ALL WIRING (SINGLE OR MULTI-CONDUCTOR) SHALL BE COLOR CODED WITHOUT SPLICES. A MINIMUM OF TWO SPARE CONDUCTORS IS RECOMMENDED.
- (2) SPECIFY VOLTAGE WHEN ORDERING PRODUCTS. VOLTAGE IS NOT SPECIFIED ON THIS WIRE DIAGRAM, BE SURE ALL PRODUCTS ARE VOLTAGE COMPATIBLE.
- (3) ALL WIRING MUST CONFORM TO NATIONAL, STATE AND LOCAL CODES.
- (4) ALWAYS CONSULT WITH THE AUTHORITY HAVING JURISDICTION (AHJ) BEFORE INSTALLATION.
- (5) WHERE REQUIRED BY CODE, CONNECT FAILSAFE SYSTEMS TO THE LOCAL FIRE LIFE SAFETY SYSTEM FOR EMERGENCY RELEASE.
- (6) DOOR POSITION SWITCHES SHOWN WITH THE DOOR CLOSED



© Security Door Controls



**Security Door Controls**  
 801 Avenida Acaso  
 Camarillo, CA 93012  
 f 805.494.0622 ~ f 805.494.8861  
 www.sdcsecurity.com

NOTE: ALL WIRING MUST BE REVIEWED AND APPROVED BY THE PROJECT ENGINEER ASSIGNED TO THE LOCATION FOR ITS CORRECTNESS AND SUITABILITY FOR THE APPLICATION IN THE WHICH THE EQUIPMENT INSTALLED AND OPERATED. ALL WIRING MUST CONFORM TO NATIONAL, STATE, AND LOCAL CODES FOR CLASS 2 FIRE PROTECTION AND CONTROL DEVICES.

PROJECT NAME:  
 Solution #2 - Communicating Bath

LOCATION.:

TITLE:  
 Comm Bath 1511 EMLOCK w/DPS - 631RFxUR1

DIST.:

CONTACT:

DATE:

DRAWN BY:

SO NO.:

DWG. NO.:

REV  
 A

Page 2 of 2